



US00D489477S

(12) **United States Design Patent** (10) **Patent No.:** **US D489,477 S**
Maldonado (45) **Date of Patent:** **** May 4, 2004**

(54) **CANDY CANE-SHAPED OUTDOOR LIGHT HOLDER**

Primary Examiner—Jennifer Rivard

(76) Inventor: **Ricardo Maldonado**, 414 Coventry Ct., Pasadena, TX (US) 77502

(57) **CLAIM**

(**) Term: **14 Years**

The ornamental design for a candy cane-shaped outdoor light holder, as shown and described.

(21) Appl. No.: **29/188,203**

DESCRIPTION

(22) Filed: **Aug. 15, 2003**

FIG. 1 is an exploded perspective view of a candy cane-shaped outdoor light holder showing my new design;

(51) **LOC (7) Cl.** **26-99**

FIG. 2 is a perspective view thereof;

(52) **U.S. Cl.** **D26/156**

FIG. 3 is a top plan view thereof;

(58) **Field of Search** D26/67, 68, 138,
D26/156; 248/530, 532; 362/249, 252,
431, 806

FIG. 4 is a bottom plan view thereof;

FIG. 5 is a left side elevational view thereof;

FIG. 6 is a right side elevational view thereof; and,

(56) **References Cited**

FIG. 7 is a perspective view of a plurality of candy cane-shaped outdoor light holders shown in use.

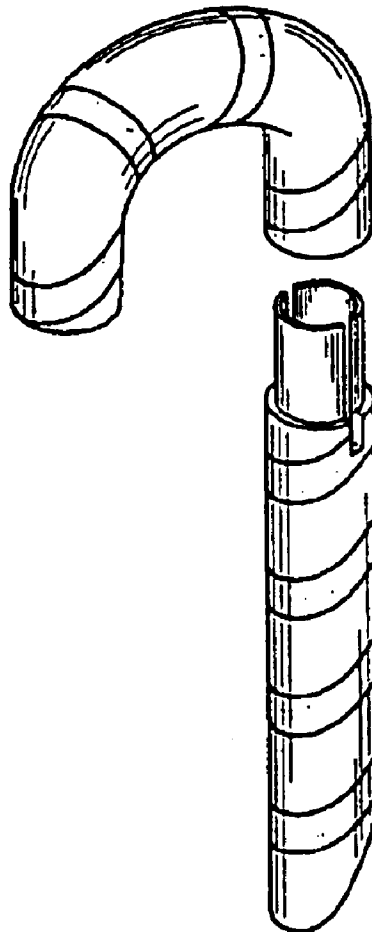
U.S. PATENT DOCUMENTS

The broken lines indicating a string of lights and additional holders are shown for illustrative purposes only and form no part of the claimed design.

D323,408 S * 1/1992 Butler D26/138
6,367,953 B1 * 4/2002 Lee 362/252
D464,159 S * 10/2002 Peloquin D26/67
6,461,018 B1 * 10/2002 Chanslor 362/249

* cited by examiner

1 Claim, 3 Drawing Sheets



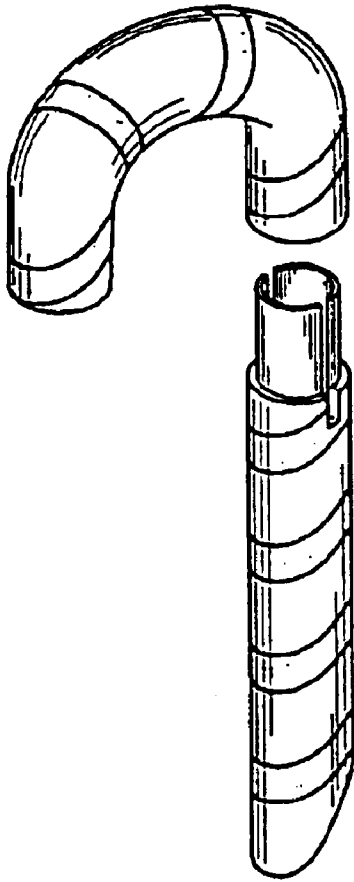


Figure 1

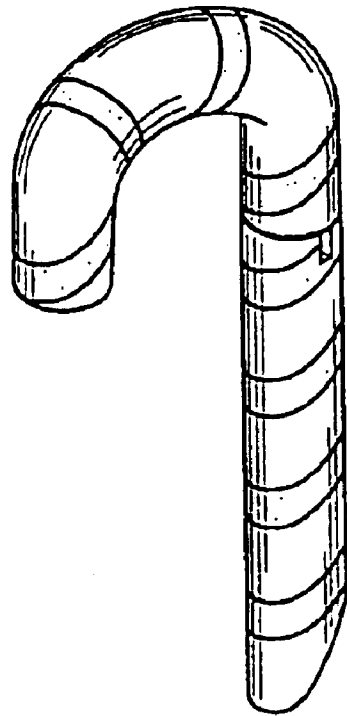


Figure 2

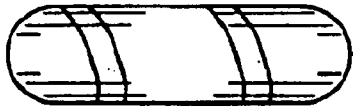


Figure 3

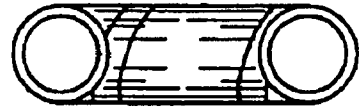


Figure 4

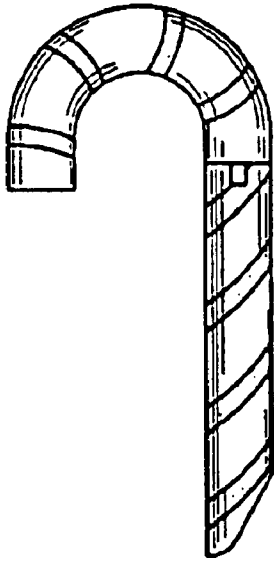


Figure 5

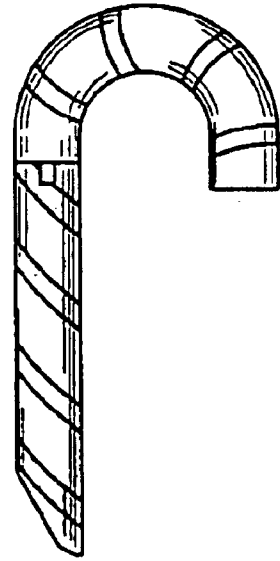


Figure 6

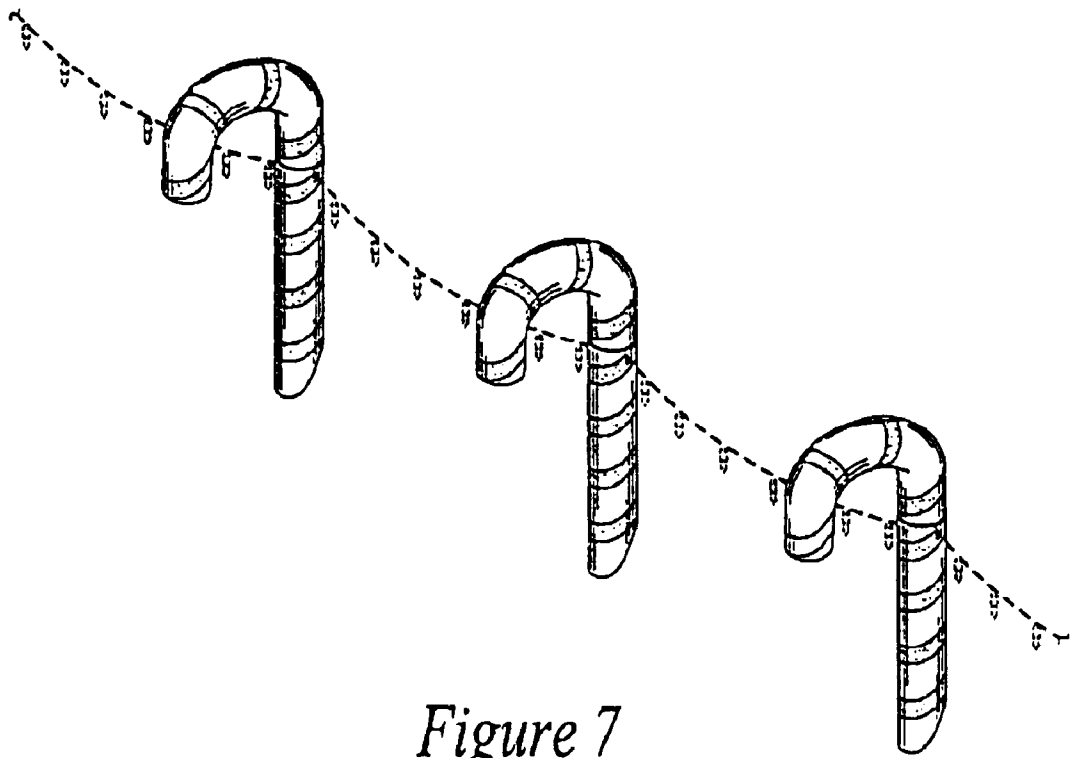


Figure 7