



US00D361666S

# United States Patent [19]

[11] Patent Number: **Des. 361,666**

Keane

[45] Date of Patent: **\*\* Aug. 29, 1995**

[54] **COMBINED DISPOSABLE TOOTHBRUSH AND CAP**

3,227,165	1/1966	Costanza .....	401/271 X
4,071,300	1/1978	Nichols et al. ....	401/175
4,582,075	4/1986	O'Neal et al. ....	132/308
4,957,125	9/1990	Yaneza .	
5,028,158	7/1991	Fey .	

[76] Inventor: **Patsy Keane**, 1563 Solano Ave., #255, Berkley, Calif. 94707

*Primary Examiner*—A. Hugo Word  
*Assistant Examiner*—Lavone D. Tabor  
*Attorney, Agent, or Firm*—Terry M. Gernstein

[\*\*] Term: **14 Years**

[21] Appl. No.: **18,289**

[57] **CLAIM**

[22] Filed: **Feb. 3, 1994**

The ornamental design for a combined disposable toothbrush and cap, as shown and described.

[52] U.S. Cl. .... **D4/108; D4/114**

[58] Field of Search ..... **D4/104-114, D4/116, 134, 136, 138; 15/105, 143.1, 159.1, 160, 167.1, 167.2, 184, 186-188; 132/308-309; 401/150-151, 175-176, 184, 188 R, 268-271, 275, 278-279**

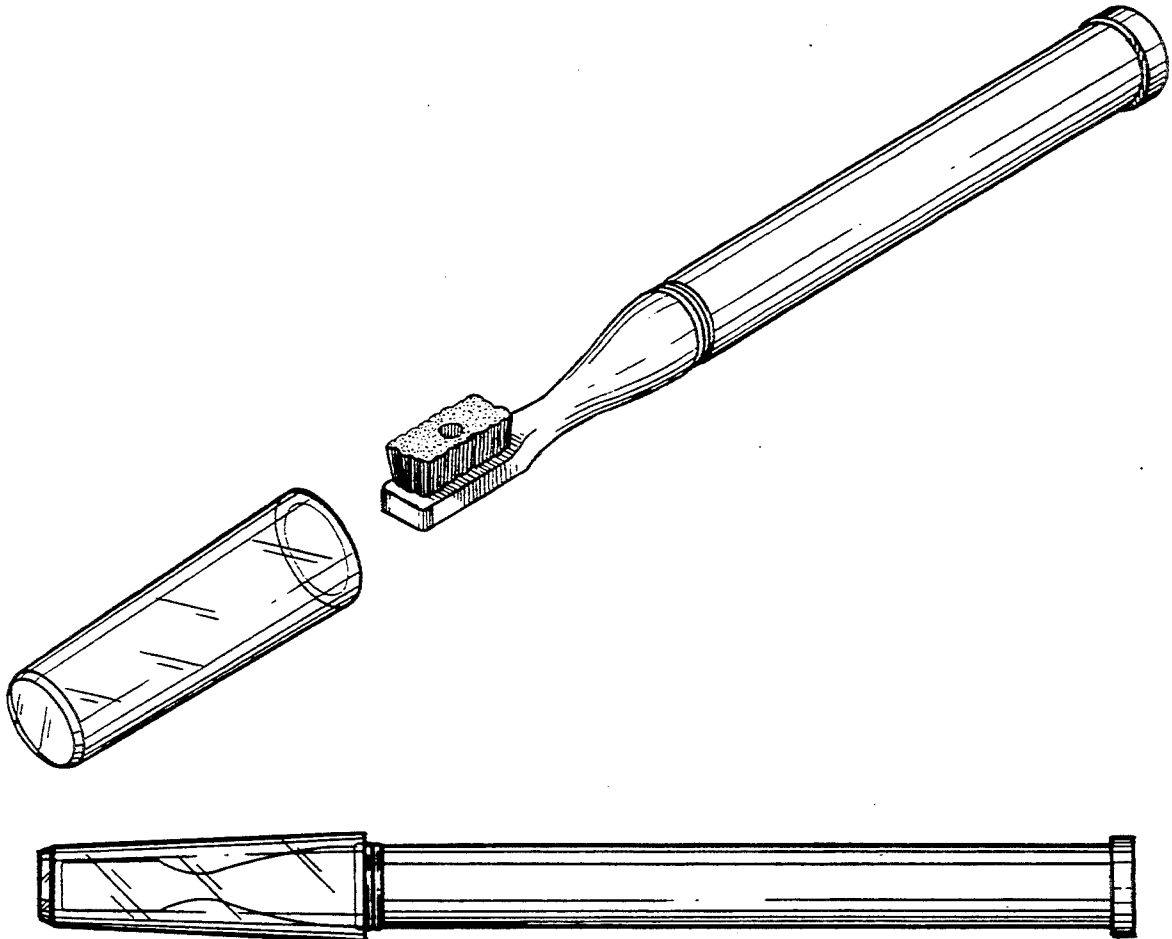
**DESCRIPTION**

FIG. 1 is an exploded perspective view of a combined disposable toothbrush and cap showing my new design; FIG. 2 is a front elevational view thereof with the cap in place on the toothbrush; FIG. 3 is a rear elevational view of FIG. 2; FIG. 4 is a side elevational view of FIG. 2, the opposite side being a mirror image; FIG. 5 is a top plan view of FIG. 2; and, FIG. 6 is a bottom plan view of FIG. 2.

[56] **References Cited**

**U.S. PATENT DOCUMENTS**

D. 281,653	12/1985	Baity .....	D4/108
D. 336,567	6/1993	Glover et al. ....	D4/108
1,859,402	5/1932	Maher .	



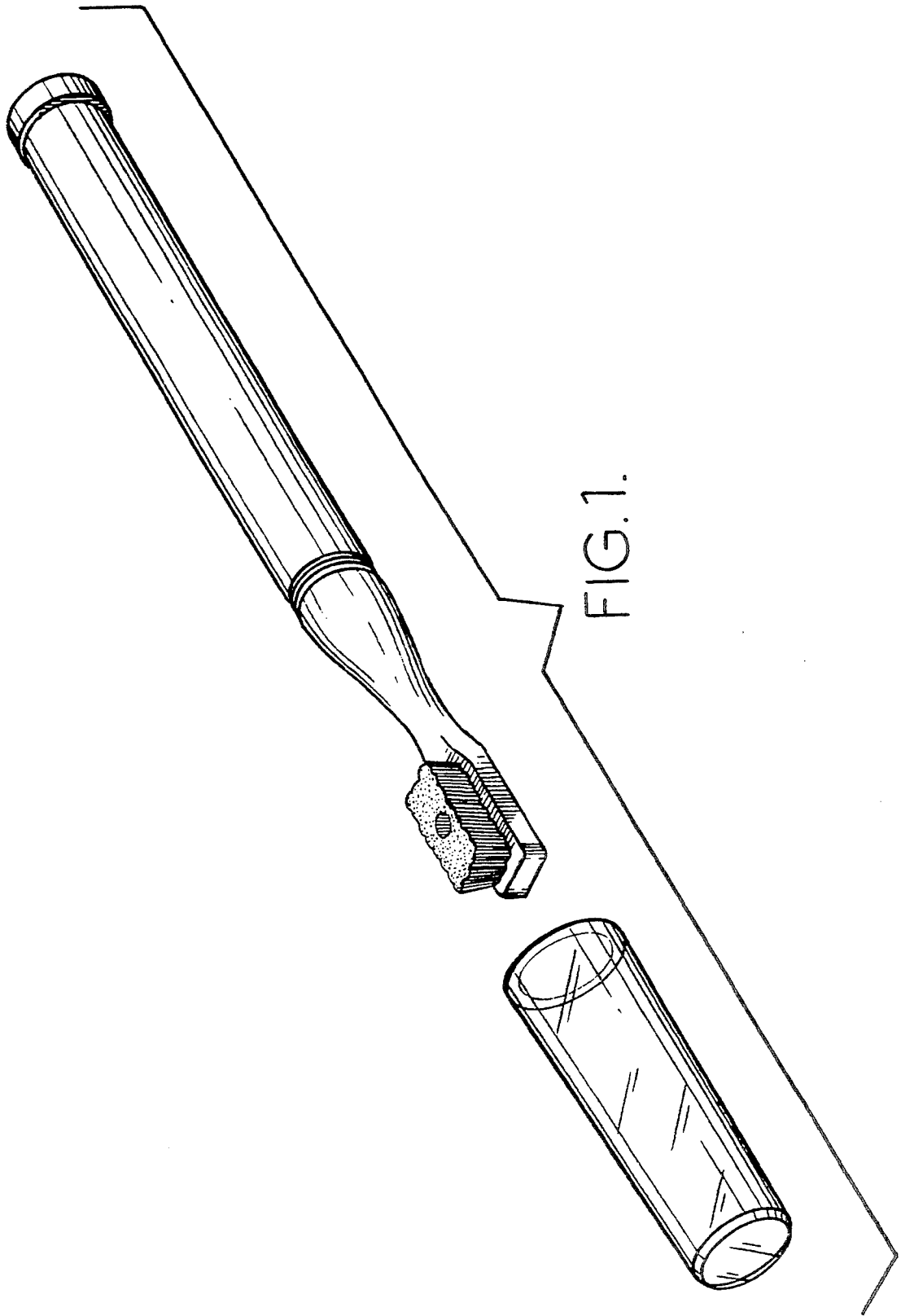


FIG. 1.



FIG. 4.

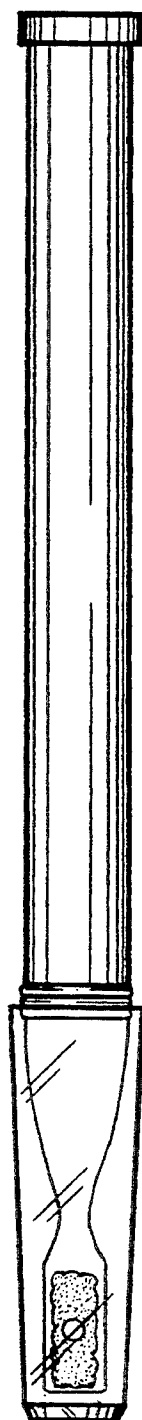


FIG. 2

FIG. 3.

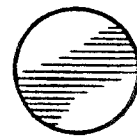
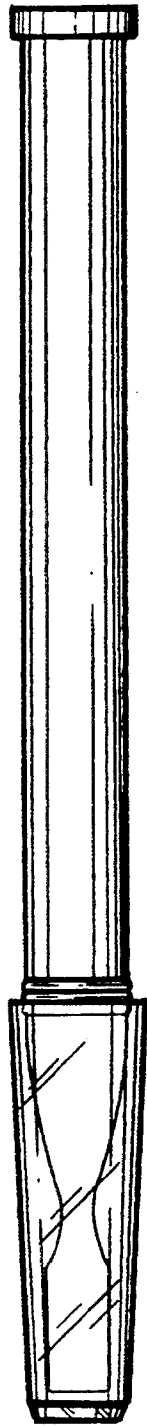


FIG. 6.



FIG. 5.