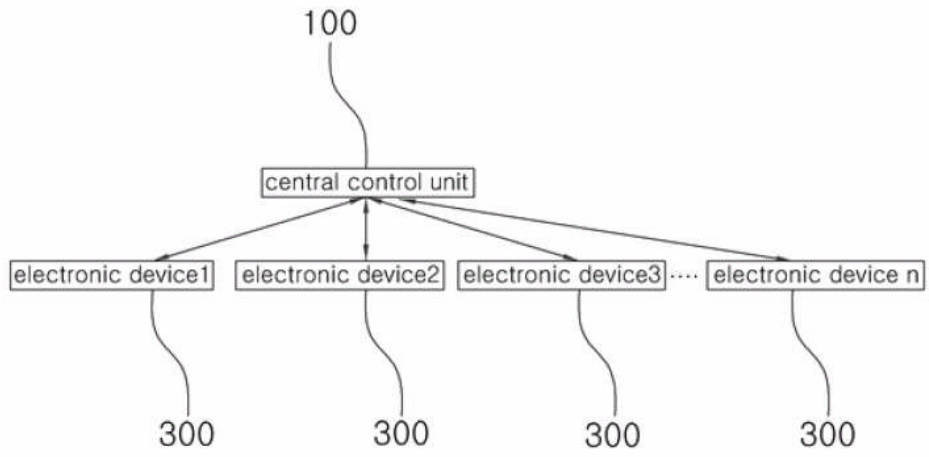


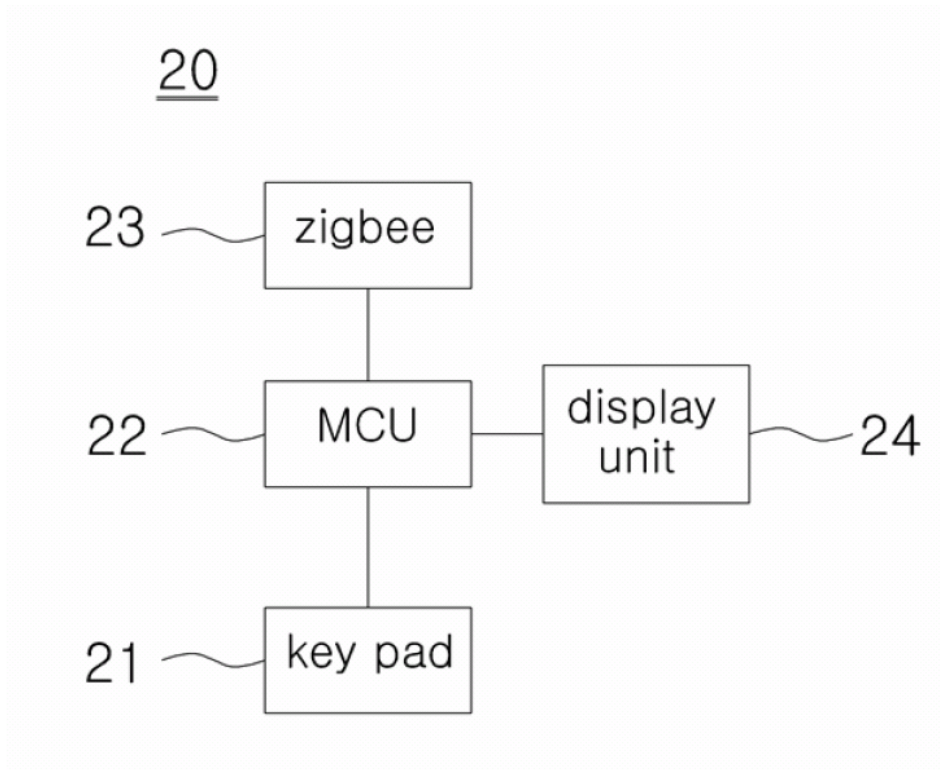
【Fig.3】



COMPLETE SPECIFICATION

1. MTEK C&K CO.,LTD.
2. KIM, Jong-Yong

TOTAL SHEETS: 05
CURRENT SHEET: 1



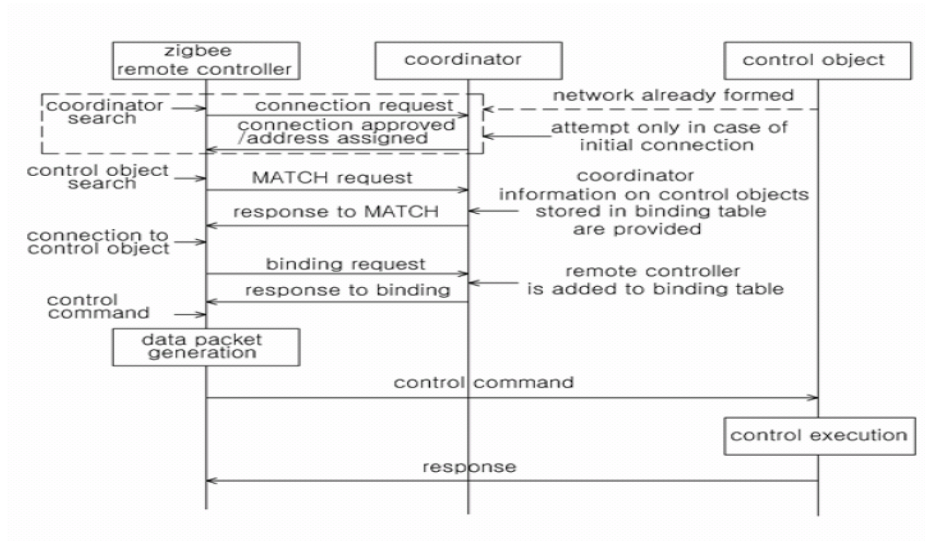
【Fig.1】

COMPLETE SPECIFICATION

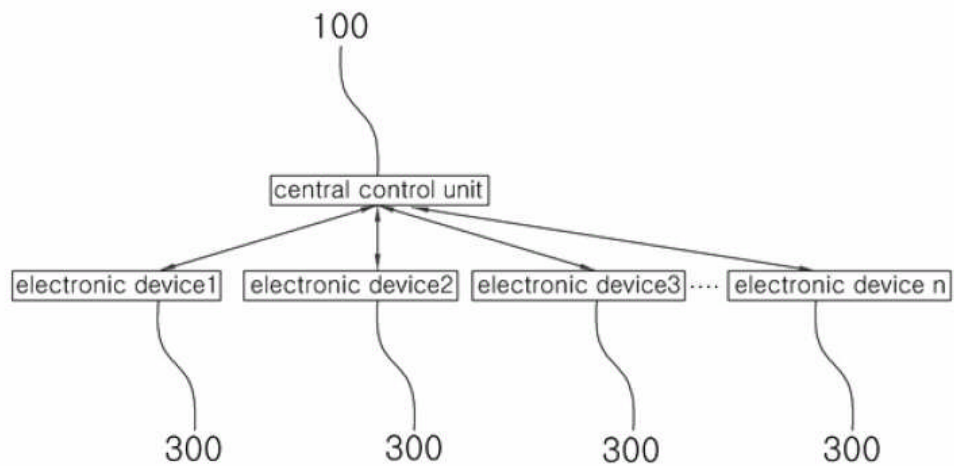
1. MTEK C&K CO.,LTD.
2. KIM, Jong-Yong

TOTAL SHEETS: 05
CURRENT SHEET: 2

【Fig.2】



【Fig.3】



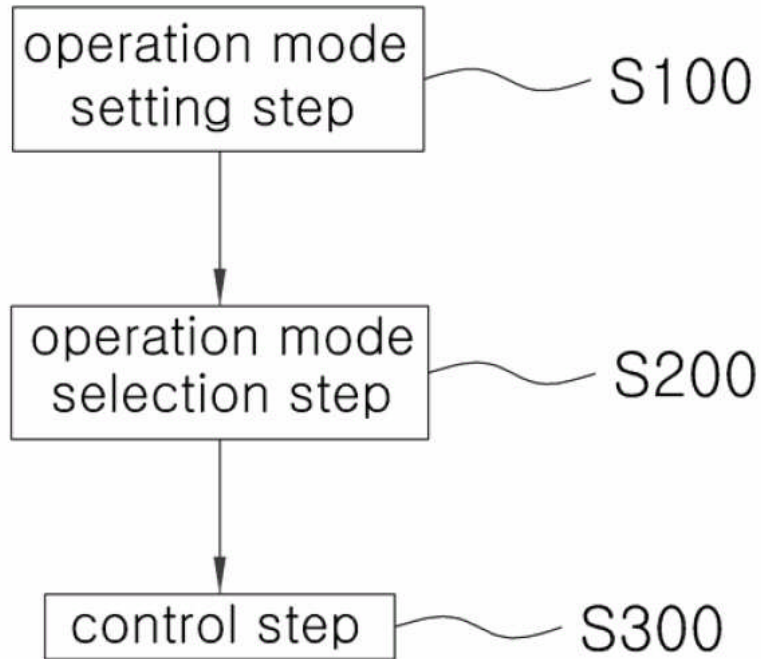
Dr. Rajeshkumar H. Acharya
Advocate and Patent Agent
For and on behalf of Applicant

COMPLETE SPECIFICATION

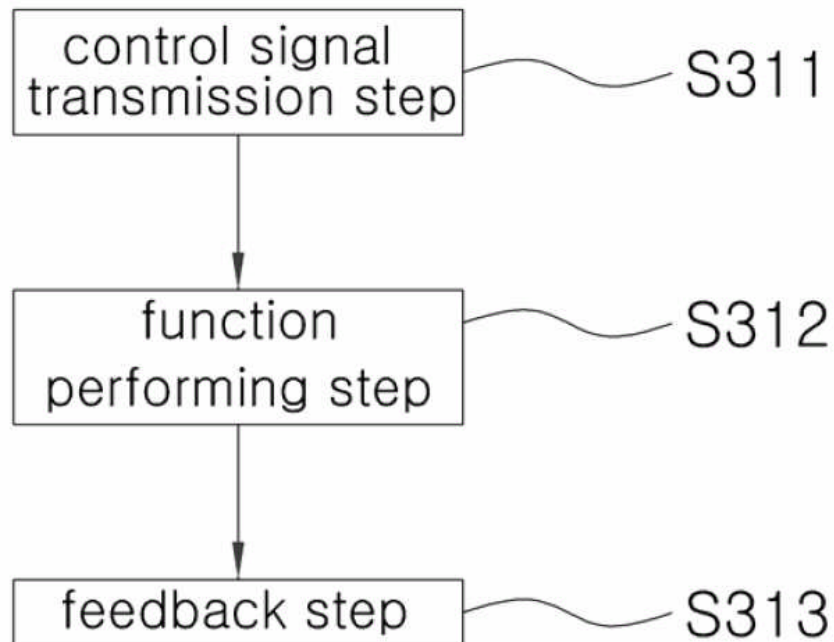
1. MTEK C&K CO.,LTD.
2. KIM, Jong-Yong

TOTAL SHEETS: 05
CURRENT SHEET: 3

【Fig.4】



【Fig.5】

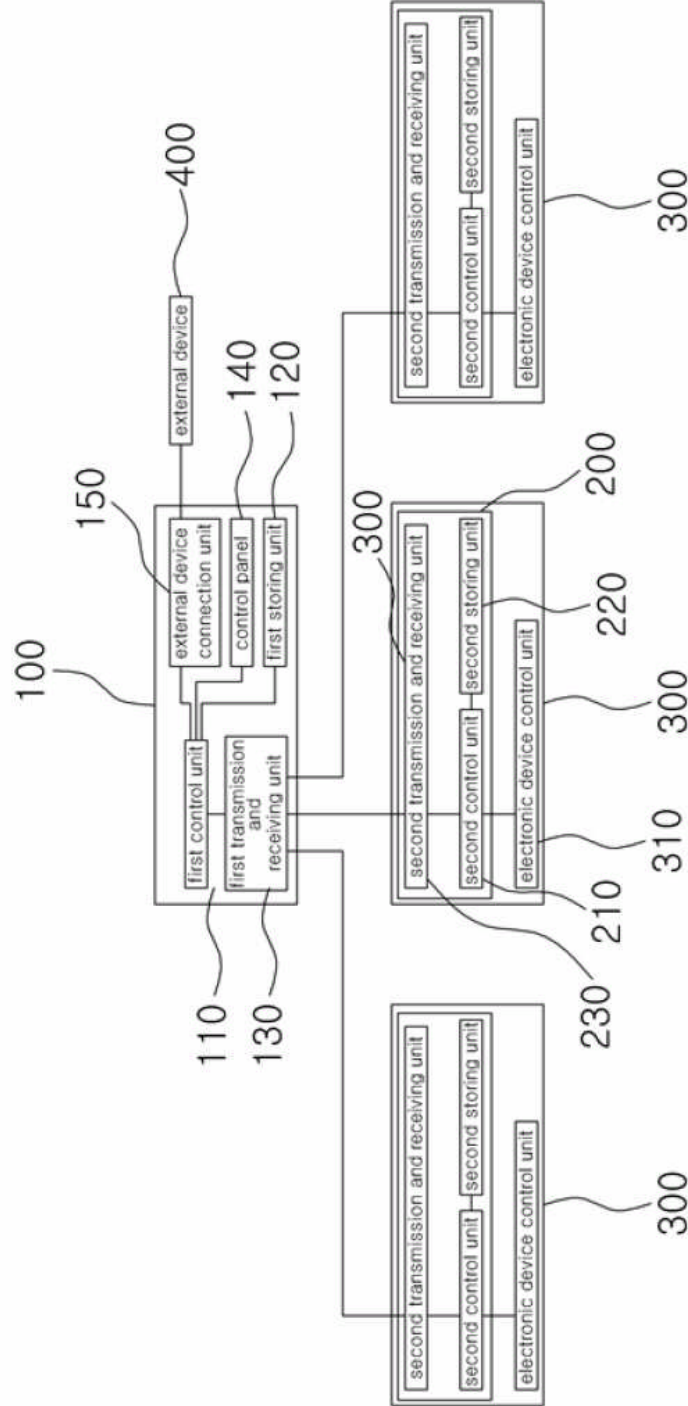


COMPLETE SPECIFICATION

1. MTEK C&K CO.,LTD.
2. KIM, Jong-Yong

TOTAL SHEETS: 05
CURRENT SHEET: 4

【Fig.6】

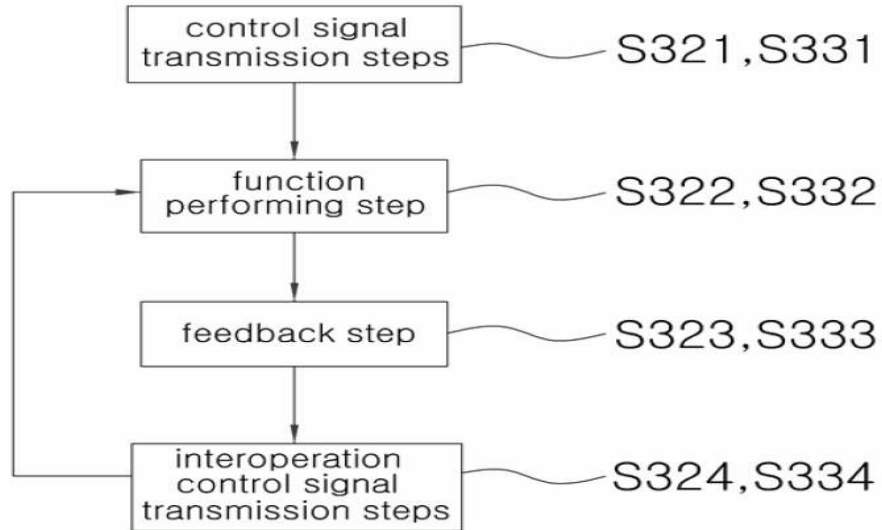


COMPLETE SPECIFICATION

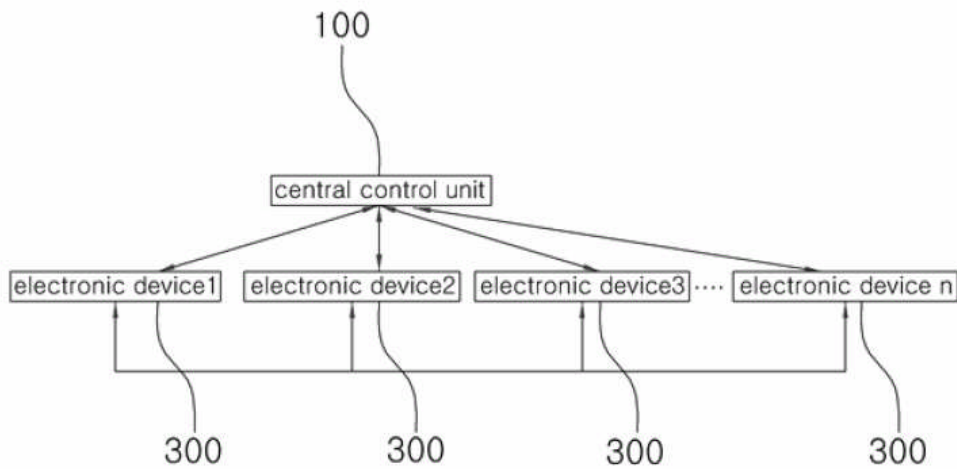
- 1. MTEK C&K CO.,LTD.
- 2. KIM, Jong-Yong

TOTAL SHEETS: 05
CURRENT SHEET: 5

【Fig.7】



【Fig.8】



Dr. Rajeshkumar H. Acharya
Advocate and Patent Agent
For and on behalf of Applicant