

(19) World Intellectual Property Organization  
International Bureau



(43) International Publication Date  
9 July 2009 (09.07.2009)

PCT

(10) International Publication Number  
**WO 2009/085703 A3**

(51) International Patent Classification:  
*H01L 21/673* (2006.01)

(21) International Application Number:  
PCT/US2008/086862

(22) International Filing Date:  
15 December 2008 (15.12.2008)

(25) Filing Language: English

(26) Publication Language: English

(30) Priority Data:  
61/015,612 20 December 2007 (20.12.2007) US

(71) Applicant (for all designated States except US): **SAINT-GOBAIN CERAMICS & PLASTICS, INC.** [US/US]; One New Bond Street, Worcester, Massachusetts 01615-0138 (US).

(72) Inventors: **NARENDAR, Yeshwanth**; 34 Carlisle Road, Westford, Massachusetts 01886 (US). **BUCKLEY, Richard, F.**; 8 Comstock Drive, Shrewsbury, Massachusetts 01545 (US).

(74) Agents: **LARSON NEWMAN ABEL & POLANSKY, LLP** et al.; 5914 West Courtyard Drive, Suite 200, Austin, TX 78730 (US).

(81) Designated States (unless otherwise indicated, for every kind of national protection available): AE, AG, AL, AM,

AO, AT, AU, AZ, BA, BB, BG, BH, BR, BW, BY, BZ, CA, CH, CN, CO, CR, CU, CZ, DE, DK, DM, DO, DZ, EC, EE, EG, ES, FI, GB, GD, GE, GH, GM, GT, HN, HR, HU, ID, IL, IN, IS, JP, KE, KG, KM, KN, KP, KR, KZ, LA, LC, LK, LR, LS, LT, LU, LY, MA, MD, ME, MG, MK, MN, MW, MX, MY, MZ, NA, NG, NI, NO, NZ, OM, PG, PH, PL, PT, RO, RS, RU, SC, SD, SE, SG, SK, SL, SM, ST, SV, SY, TJ, TM, TN, TR, TT, TZ, UA, UG, US, UZ, VC, VN, ZA, ZM, ZW.

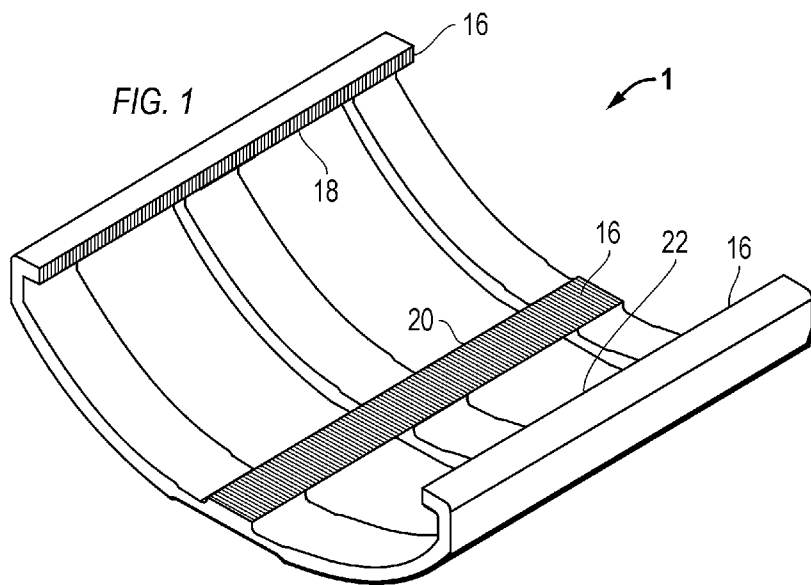
(84) Designated States (unless otherwise indicated, for every kind of regional protection available): ARIPO (BW, GH, GM, KE, LS, MW, MZ, NA, SD, SL, SZ, TZ, UG, ZM, ZW), Eurasian (AM, AZ, BY, KG, KZ, MD, RU, TJ, TM), European (AT, BE, BG, CH, CY, CZ, DE, DK, EE, ES, FI, FR, GB, GR, HR, HU, IE, IS, IT, LT, LU, LV, MC, MT, NL, NO, PL, PT, RO, SE, SI, SK, TR), OAPI (BF, BJ, CF, CG, CI, CM, GA, GN, GQ, GW, ML, MR, NE, SN, TD, TG).

**Published:**

- with international search report (Art. 21(3))
- before the expiration of the time limit for amending the claims and to be republished in the event of receipt of amendments (Rule 48.2(h))

(88) Date of publication of the international search report:  
22 October 2009

(54) Title: METHOD FOR TREATING SEMICONDUCTOR PROCESSING COMPONENTS AND COMPONENTS FORMED THEREBY



(57) Abstract: A semiconductor processing component has an outer surface portion comprised of silicon carbide, the outer surface portion having a skin impurity level and a bulk impurity level. The skin impurity level is average impurity level from 0 nm to 100 nm of depth into the outer surface portion, the bulk impurity level is measured at a depth of at least 3 microns into the outer surface portion, and the skin impurity level is not greater than 80% of the bulk impurity level

WO 2009/085703 A3

## INTERNATIONAL SEARCH REPORT

International application No  
PCT/US2008/086862A. CLASSIFICATION OF SUBJECT MATTER  
INV. H01L21/673

According to International Patent Classification (IPC) or to both national classification and IPC

## B. FIELDS SEARCHED

Minimum documentation searched (classification system followed by classification symbols)  
H01L C30B

Documentation searched other than minimum documentation to the extent that such documents are included in the fields searched

Electronic data base consulted during the international search (name of data base and, where practical, search terms used)

EPO-Internal

## C. DOCUMENTS CONSIDERED TO BE RELEVANT

Category*	Citation of document, with indication, where appropriate, of the relevant passages	Relevant to claim No.
Y	US 2004/235231 A1 (NARENDAR YESHWANTH [US] ET AL) 25 November 2004 (2004-11-25) abstract; claims 1-53; figures 1-6 paragraph [0008] - paragraph [0010] paragraph [0024] - paragraph [0056]	1-22
Y	US 2004/208815 A1 (HAERLE ANDREW G [US] ET AL) 21 October 2004 (2004-10-21) abstract; claims; figure 1 paragraph [0009] - paragraph [0013] tables 1,2 paragraph [0027] - paragraph [0037]	1-22
A	US 6 277 194 B1 (THILDERKVIST ANNALENA [US] ET AL) 21 August 2001 (2001-08-21) abstract; claims; figures	1-22
	-/--	

 Further documents are listed in the continuation of Box C. See patent family annex.

\* Special categories of cited documents:

- \*A\* document defining the general state of the art which is not considered to be of particular relevance
- \*E\* earlier document but published on or after the international filing date
- \*L\* document which may throw doubts on priority claim(s) or which is cited to establish the publication date of another citation or other special reason (as specified)
- \*O\* document referring to an oral disclosure, use, exhibition or other means
- \*P\* document published prior to the international filing date but later than the priority date claimed

- \*T\* later document published after the international filing date or priority date and not in conflict with the application but cited to understand the principle or theory underlying the invention
- \*X\* document of particular relevance; the claimed invention cannot be considered novel or cannot be considered to involve an inventive step when the document is taken alone
- \*Y\* document of particular relevance; the claimed invention cannot be considered to involve an inventive step when the document is combined with one or more other such documents, such combination being obvious to a person skilled in the art.
- \* & \* document member of the same patent family

Date of the actual completion of the international search

3 September 2009

Date of mailing of the international search report

09/09/2009

Name and mailing address of the ISA/

European Patent Office, P.B. 5818 Patentlaan 2  
NL - 2280 HV Rijswijk  
Tel. (+31-70) 340-2040,  
Fax: (+31-70) 340-3016

Authorized officer

Hamdani, Fayçal

## INTERNATIONAL SEARCH REPORT

International application No  
PCT/US2008/086862

C(Continuation). DOCUMENTS CONSIDERED TO BE RELEVANT

Category*	Citation of document, with indication, where appropriate, of the relevant passages	Relevant to claim No.
A	EP 1 072 570 A (ASAHI GLASS CO LTD [JP]) 31 January 2001 (2001-01-31) abstract; claims 1,2 paragraph [0035] - paragraph [0043]	1-22
A	US 5 494 439 A (GOLDSTEIN MICHAEL [US] ET AL) 27 February 1996 (1996-02-27) abstract; claims; figures	1-22
A	EP 1 184 355 A (TOSHIBA CERAMICS CO [JP]) 6 March 2002 (2002-03-06) abstract; claims; figures paragraph [0014] - paragraph [0028]	1-22
A	EP 1 094 129 A (APPLIED MATERIALS INC [US]) 25 April 2001 (2001-04-25) abstract; claims; figures	1-22
A	US 2002/168867 A1 (HAERLE ANDREW G [US] ET AL) 14 November 2002 (2002-11-14) abstract; claims	1-22
A	EP 0 924 750 A (FUJITSU LTD [JP]) 23 June 1999 (1999-06-23) abstract; claims; figures	1-22
A	US 6 093 644 A (INABA TAKESHI [JP] ET AL) 25 July 2000 (2000-07-25) cited in the application abstract; claims; figures	1-22

## INTERNATIONAL SEARCH REPORT

Information on patent family members

International application No

PCT/US2008/086862

Patent document cited in search report	Publication date	Patent family member(s)	Publication date
US 2004235231 A1	25-11-2004	CN 1856868 A	01-11-2006
		EP 1620878 A2	01-02-2006
		JP 2006526894 T	24-11-2006
		KR 20060063782 A	12-06-2006
		TW 245348 B	11-12-2005
		US 2004209445 A1	21-10-2004
		US 2004208815 A1	21-10-2004
		WO 2004093150 A2	28-10-2004
US 2004208815 A1	21-10-2004	CN 1856868 A	01-11-2006
		EP 1620878 A2	01-02-2006
		JP 2006526894 T	24-11-2006
		KR 20060063782 A	12-06-2006
		TW 245348 B	11-12-2005
		US 2004209445 A1	21-10-2004
		US 2004235231 A1	25-11-2004
		WO 2004093150 A2	28-10-2004
US 6277194 B1	21-08-2001	EP 1094129 A2	25-04-2001
		JP 2001203164 A	27-07-2001
		KR 20010051165 A	25-06-2001
		TW 479268 B	11-03-2002
EP 1072570 A	31-01-2001	DE 60019691 D1	02-06-2005
		DE 60019691 T2	16-03-2006
		JP 2001048649 A	20-02-2001
		KR 20010070006 A	25-07-2001
		TW 457560 B	01-10-2001
		US 6436361 B1	20-08-2002
US 5494439 A	27-02-1996	US 5417803 A	23-05-1995
EP 1184355 A	06-03-2002	DE 60032358 T2	25-10-2007
		WO 0160764 A1	23-08-2001
		US 6699401 B1	02-03-2004
EP 1094129 A	25-04-2001	JP 2001203164 A	27-07-2001
		KR 20010051165 A	25-06-2001
		TW 479268 B	11-03-2002
		US 6277194 B1	21-08-2001
US 2002168867 A1	14-11-2002	NONE	
EP 0924750 A	23-06-1999	JP 11238728 A	31-08-1999
		US 6245147 B1	12-06-2001
US 6093644 A	25-07-2000	JP 3494554 B2	09-02-2004
		JP 11016993 A	22-01-1999
		TW 389976 B	11-05-2000