



US00D429383S

United States Patent [19] Thorpe

[11] Patent Number: Des. 429,383
[45] Date of Patent: ** Aug. 8, 2000

- [54] **FINGER RING COSMETIC CONTAINER HAVING A WIDE SHANK**
- [75] Inventor: **James Thorpe**, Beckenham, United Kingdom
- [73] Assignee: **HCT Limited**, Hong Kong, The Hong Kong Special Administrative Region of the People's Republic of China
- [**] Term: **14 Years**

- D. 159,495 8/1950 Linden D11/2
- D. 160,154 9/1950 Flamand .
- D. 160,155 9/1950 Flamand .
- D. 166,420 4/1952 Schluttig .
- D. 170,526 10/1953 Del Mas .
- D. 182,337 3/1958 Konjoian .
- D. 275,900 10/1984 Spector .
- D. 365,038 12/1995 Merritt .
- D. 402,412 12/1998 Thorpe D28/82

(List continued on next page.)

- [21] Appl. No.: **29/095,408**
- [22] Filed: **Oct. 22, 1998**

FOREIGN PATENT DOCUMENTS

- 462170 1/1950 Canada 132/316

- [51] **LOC (7) Cl.** **28-03**
- [52] **U.S. Cl.** **D28/77; D28/79; D28/82; D11/26**
- [58] **Field of Search** D28/76-84; D3/201, D3/203, 205, 215, 274, 271; D9/337, 307, 418; D11/2, 26; 132/286, 293-307; 206/235, 581, 823; 220/914, DIG. 26; 63/1.1, 1.14, 15, 3, 3.2; 224/217-222, 163-165, 235, 241, 255, 663, 671-673, 678, 679, 267

OTHER PUBLICATIONS

Essence Sep. 1998, p. 30: compact indicated by arrow.
Primary Examiner—Catherine Tuttle
Attorney, Agent, or Firm—Norris, McLaughlin & Marcus

[57] CLAIM

I claim the ornamental design for a finger ring cosmetic container having a wide shank, as shown and described.

DESCRIPTION

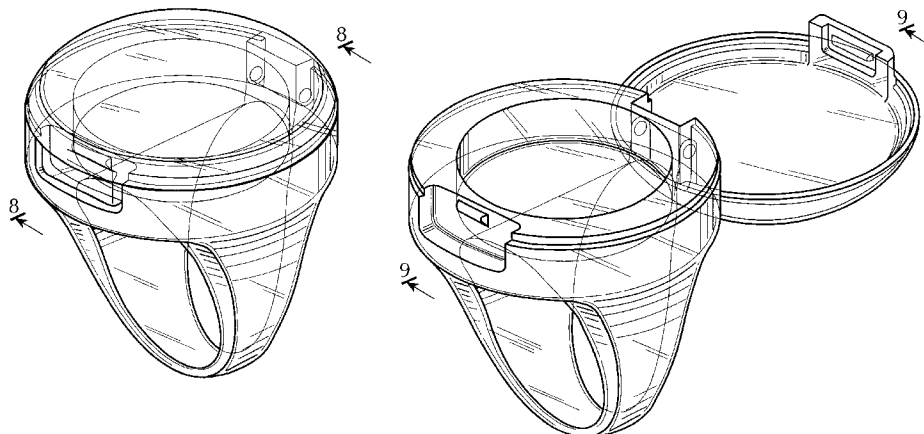
FIG. 1 is a perspective view showing my new design with its cover in the closed position;
 FIG. 2 is a perspective view showing the cover in an open position;
 FIG. 3 is a front end elevational view showing the cover in its closed position;
 FIG. 4 is a back end elevational view showing the cover in its closed position;
 FIG. 5 is a side elevational view showing the cover in its closed position;
 FIG. 6 is a top plan view showing the cover in its closed position;
 FIG. 7 is a bottom plan view showing the cover in its closed position;
 FIG. 8 is a cross sectional view taken along line 8—8 of FIG. 1; and,
 FIG. 9 is a cross sectional view taken along the line 9—9 of FIG. 2.

[56] References Cited

U.S. PATENT DOCUMENTS

- D. 66,901 3/1925 Suderov D10/31
- D. 85,403 10/1931 Swanson .
- D. 119,196 2/1940 Frommer .
- D. 123,646 11/1940 Di Verdura .
- D. 125,612 3/1941 Dopyera .
- D. 140,109 1/1945 Pierce .
- D. 140,450 2/1945 Rubel .
- D. 141,655 6/1945 Rubel .
- D. 142,473 10/1945 Fisk .
- D. 143,966 2/1946 Fisk et al. .
- D. 143,967 2/1946 Fisk et al. .
- D. 145,394 8/1946 Graeter .
- D. 145,811 10/1946 Linduska .
- D. 146,104 12/1946 Graeter .
- D. 146,323 2/1947 Seech .
- D. 148,183 12/1947 Packales .
- D. 152,216 12/1948 Quethera .
- D. 152,604 2/1949 Fanelli .
- D. 154,531 7/1949 Caskey .
- D. 157,702 3/1950 Reilly .

1 Claim, 4 Drawing Sheets



U.S. PATENT DOCUMENTS

		1,861,644	6/1932	Roberts .
		1,952,203	3/1934	Fox .
		1,975,507	10/1934	Hackel .
		1,982,248	11/1934	Gebhardt .
		2,079,043	5/1937	Samstag .
		2,138,640	11/1938	Levy .
		2,194,379	3/1940	Bicks .
		2,235,350	3/1941	Anderson .
		2,265,094	12/1941	Wolfe .
		2,377,717	6/1945	Reilly 220/844
		2,442,546	6/1948	Lipschitz et al. .
		2,473,226	6/1949	Sheldon .
		2,547,991	4/1951	Witbrod 206/301
		2,601,158	6/1952	MacGillivray .
		3,006,350	10/1961	Grünfeld .
		3,270,525	9/1966	Sellers .
		3,559,854	2/1971	Loveland .
		4,768,688	9/1988	Harrigan .
		5,244,135	9/1993	Nelson .
		5,390,510	2/1995	Tirio-Cloonan .
		5,476,194	12/1995	Hippely et al. .
477,825	6/1892			Russell .
1,207,296	12/1916			Kastor .
1,239,405	9/1917			Kopetschny 63/19
1,281,605	10/1918			Lloyd .
1,412,943	4/1922			Kennedy .
1,485,915	3/1924			Hammel .
1,584,205	5/1926			Zaldo .
1,607,985	11/1926			Johnson .
1,609,481	12/1926			McCarthy et al. .
1,614,374	1/1927			Lupo .
1,623,994	4/1927			Buchsbaum et al. .
1,644,404	10/1927			Squier .
1,683,545	9/1928			Harris .
1,692,194	11/1928			Allison .
1,714,732	5/1929			Schneider .
1,727,001	9/1929			Weaver .
1,752,719	4/1930			Baum .
1,766,478	6/1930			Baker et al. .
1,777,027	9/1930			D'Arlet .
1,823,814	9/1931			Aiello .

FIG. 1

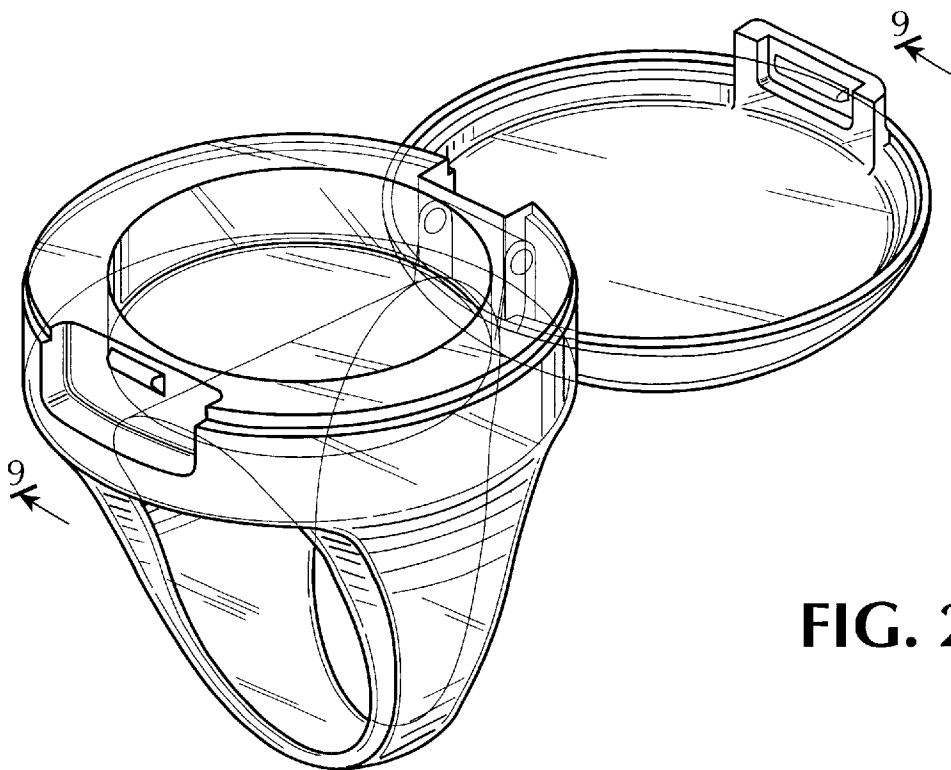
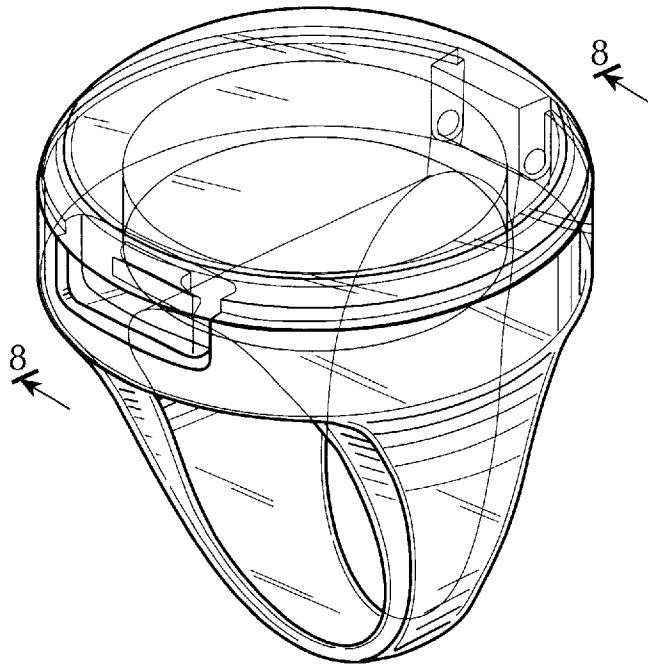


FIG. 2

FIG. 3

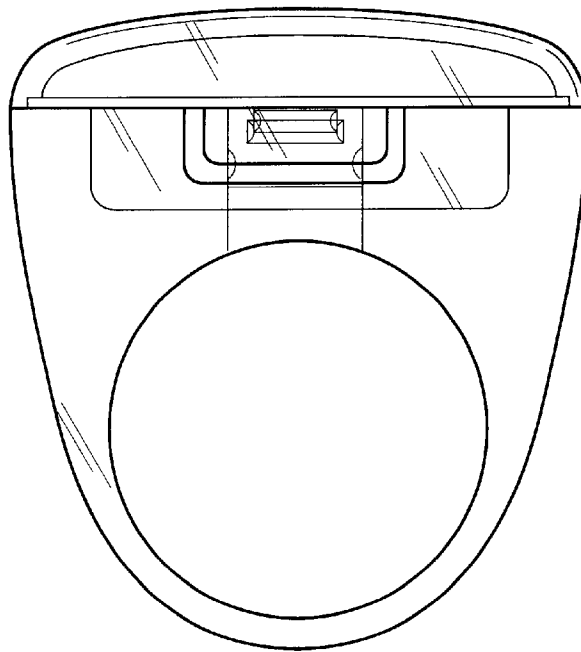


FIG. 4

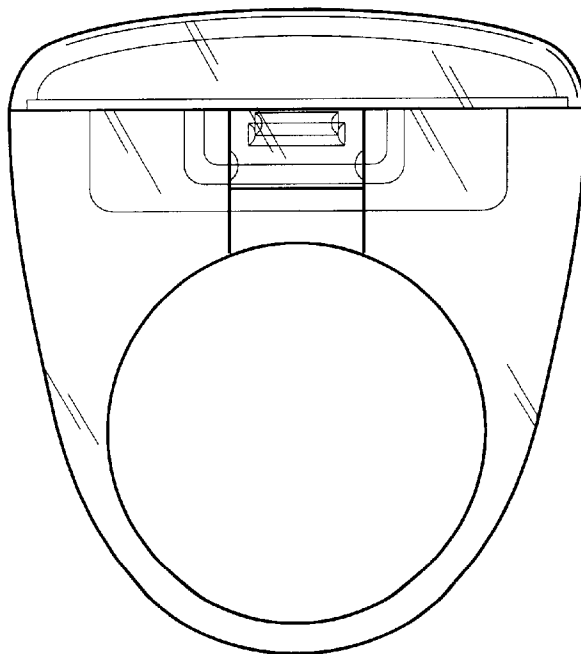


FIG. 5

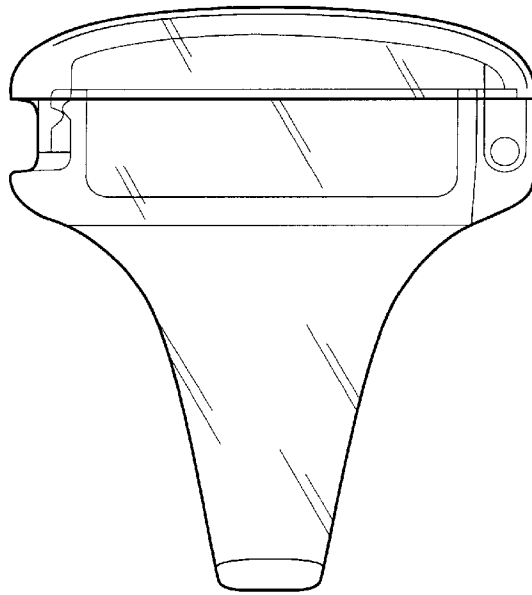


FIG. 6

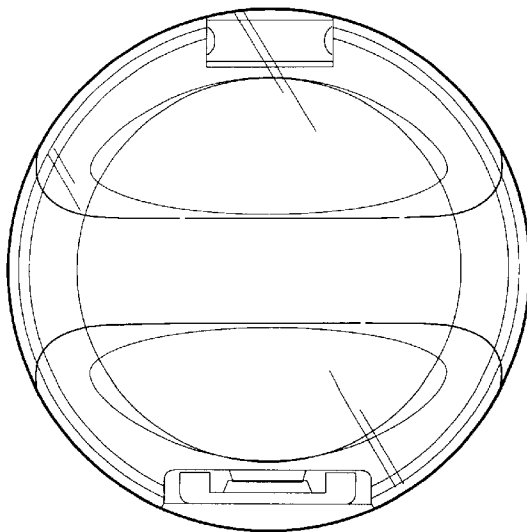


FIG. 7

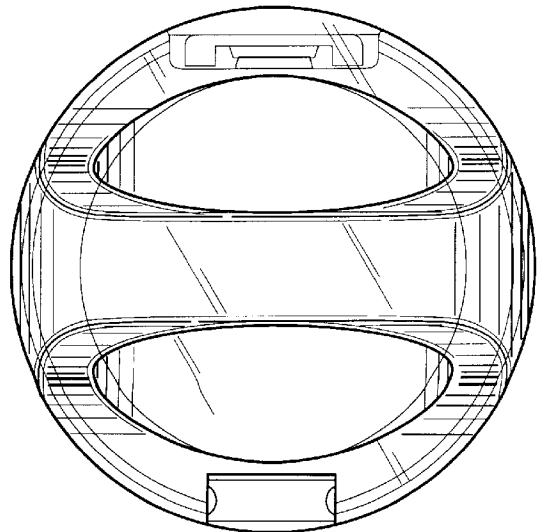


FIG. 8

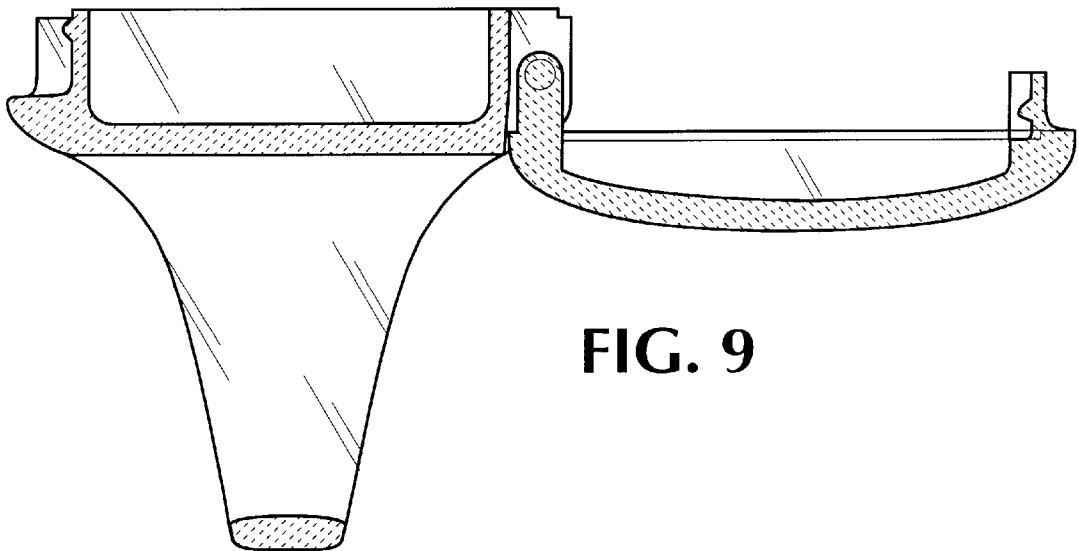
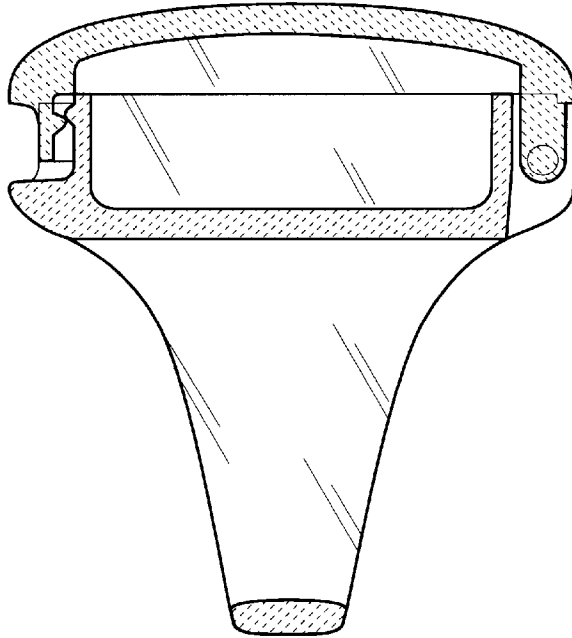


FIG. 9