

CORRECTED VERSION

(19) World Intellectual Property Organization
International Bureau



(10) International Publication Number
WO 2014/207520 A8

(43) International Publication Date
31 December 2014 (31.12.2014)

(51) International Patent Classification:
F02M 59/02 (2006.01) F04B 1/04 (2006.01)
F02M 59/44 (2006.01) F04B 53/16 (2006.01)

Toyota-shi, Aichi-ken, 471-8571 (JP). YOKOYAMA, Hirokazu; c/o TOYOTA JIDOSHA KABUSHIKI KAISHA, of 1, Toyota-cho, Toyota-shi, Aichi-ken, 471-8571 (JP).

(21) International Application Number: PCT/IB2014/000975

(81) Designated States (unless otherwise indicated, for every kind of national protection available): AE, AG, AL, AM, AO, AT, AU, AZ, BA, BB, BG, BH, BN, BR, BW, BY, BZ, CA, CH, CL, CN, CO, CR, CU, CZ, DE, DK, DM, DO, DZ, EC, EE, EG, ES, FI, GB, GD, GE, GH, GM, GT, HN, HR, HU, ID, IL, IN, IR, IS, KE, KG, KN, KP, KR, KZ, LA, LC, LK, LR, LS, LT, LU, LY, MA, MD, ME, MG, MK, MN, MW, MX, MY, MZ, NA, NG, NI, NO, NZ, OM, PA, PE, PG, PH, PL, PT, QA, RO, RS, RU, RW, SA, SC, SD, SE, SG, SK, SL, SM, ST, SV, SY, TH, TJ, TM, TN, TR, TT, TZ, UA, UG, US, UZ, VC, VN, ZA, ZM, ZW.

(22) International Filing Date: 5 June 2014 (05.06.2014)

(25) Filing Language: English

(26) Publication Language: English

(30) Priority Data: 2013-134963 27 June 2013 (27.06.2013) JP

(71) Applicant: TOYOTA JIDOSHA KABUSHIKI KAISHA [JP/JP]; 1, Toyota-cho, Toyota-shi, Aichi-ken, 471-8571 (JP).

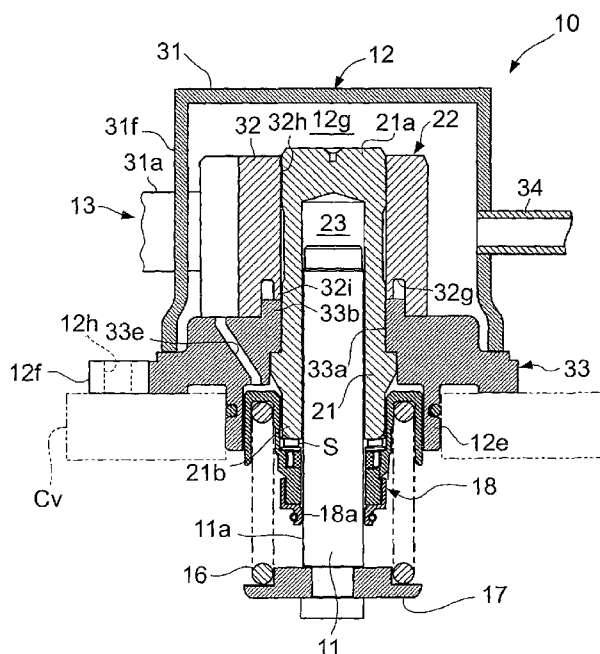
(84) Designated States (unless otherwise indicated, for every kind of regional protection available): ARIPO (BW, GH,

(72) Inventors: YABUCHI, Takeyuki; c/o TOYOTA JIDOSHA KABUSHIKI KAISHA, of 1, Toyota-cho,

[Continued on next page]

(54) Title: HIGH-PRESSURE FUEL PUMP

FIG. 3



(57) Abstract: A high-pressure fuel pump (10) includes a plunger (11), a pump housing (12), an intake valve (13), a discharge passage (14), a fuel seal member (18), and a fuel inlet conduit (34). The pump housing (12) includes a fuel pressurizing chamber (23), an intake passage (24a), a discharge passage (24b), a cylinder housing member (21), a cover member (31) that covers the cylinder housing member (21), and an intake gallery chamber (12g). The fuel inlet conduit (34) is connected to the cover member (31) and configured to introduce fuel into the intake gallery chamber (12g) from outside the cover member (31). The pump housing (12) includes a return passage (33e) that communicates the intake gallery chamber (12g) with a space surrounded by the plunger (11), the cylinder housing member (21), and the fuel seal member (18). A first end portion of the return passage (33e) on the intake gallery chamber (12g) side is positioned on an opposite side of the cylinder housing member (21) from the fuel inlet conduit (34).

WO 2014/207520 A8

GM, KE, LR, LS, MW, MZ, NA, RW, SD, SL, SZ, TZ, UG, ZM, ZW), Eurasian (AM, AZ, BY, KG, KZ, RU, TJ, TM), European (AL, AT, BE, BG, CH, CY, CZ, DE, DK, EE, ES, FI, FR, GB, GR, HR, HU, IE, IS, IT, LT, LU, LV, MC, MK, MT, NL, NO, PL, PT, RO, RS, SE, SI, SK, SM, TR), OAPI (BF, BJ, CF, CG, CI, CM, GA, GN, GQ, GW, KM, ML, MR, NE, SN, TD, TG).

Published:

— *with international search report (Art. 21(3))*

(48) Date of publication of this corrected version:

19 March 2015

(15) Information about Correction:

see Notice of 19 March 2015