



US00D721272S

(12) **United States Design Patent**
Wichowski

(10) **Patent No.:** **US D721,272 S**

(45) **Date of Patent:** **** Jan. 20, 2015**

(54) **NOZZLE**

(71) Applicant: **Hoffmann Neopac AG**, Thun (CH)

(72) Inventor: **Artur Wichowski**, Lohn-Ammannsegg (CH)

(73) Assignee: **Hoffman Neopac AG**, Thun (CH)

(**) Term: **14 Years**

(21) Appl. No.: **29/452,278**

(22) Filed: **Apr. 15, 2013**

(30) **Foreign Application Priority Data**

Oct. 15, 2012 (WO) DM/079302

(51) **LOC (10) Cl.** **09-07**

(52) **U.S. Cl.**
USPC **D9/447**

(58) **Field of Classification Search**
CPC B65D 47/20
USPC D9/434, 435, 439, 440, 443, 446, 447,
D9/448, 449, 453, 454, 417; D7/396.2,
D7/392.1; 215/235, 236, 307, 311;
220/254.2–254.5, 259.3, 26, 715, 837;
222/212, 484, 525, 556, 566; 493/87;
401/266

See application file for complete search history.

(56) **References Cited**

U.S. PATENT DOCUMENTS

D287,402 S	12/1986	Orsing	
D287,939 S *	1/1987	Harman	D9/447
D291,780 S	9/1987	Guttormson	
5,588,560 A	12/1996	Benedict et al.	
D482,281 S *	11/2003	Bakic	D9/448
D489,615 S *	5/2004	Bakic	D9/448
D512,482 S	12/2005	Utter et al.	
D538,975 S *	3/2007	Montoli	D28/7

D545,190 S *	6/2007	Wu	D9/448
D552,991 S *	10/2007	Lai	D9/448
D569,247 S *	5/2008	Decottignies	D9/448
D581,791 S *	12/2008	Bakic	D9/449
7,883,287 B2 *	2/2011	Thorpe	401/266
D641,930 S *	7/2011	Poletto	D28/76
D649,048 S *	11/2011	Baker et al.	D9/435
D649,456 S *	11/2011	Baker et al.	D9/435

(Continued)

OTHER PUBLICATIONS

Innovative Design Visions for Cosmetic Tubes—a New Partnership between Neopac and HCT. Article on www.Neopac.com; dated Oct. 5, 2012. Found online at: http://www.neopac.com/nc/news-neopac/news/newstext/article/innovative-d.html?tx_ttnews%5BpS%5D=1325372399&tx_ttnews%5BpL%5D=31535999&tx_ttnews%5Barc%5D=1&cHash=99f799894d6421051ef24d82bfd3fdb.*

Primary Examiner — Robert M Spear

(74) *Attorney, Agent, or Firm* — Blue Filament Law PLLC; Avery N. Goldstein

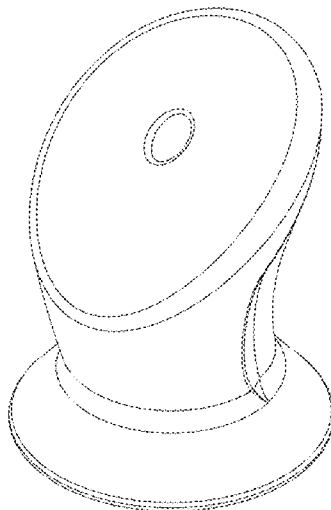
(57) **CLAIM**

The ornamental design for a nozzle, as shown and described.

DESCRIPTION

FIG. 1 is a front view of the nozzle;
FIG. 2 is a left side view of the nozzle depicted in FIG. 1;
FIG. 3 is a right view of the nozzle depicted in FIG. 1;
FIG. 4 is a top view of the nozzle depicted in FIG. 1;
FIG. 5 is a side elevated perspective view of the nozzle depicted in FIG. 1;
FIG. 6 is a top elevated perspective view of the nozzle depicted in FIG. 1;
FIG. 7 is a bottom view of the nozzle depicted in FIG. 1; and,
FIG. 8 is a rear view of the nozzle depicted in FIG. 1.
The broken lines in the drawings represent unclaimed environmental subject matter and form no part of the claim.

1 Claim, 4 Drawing Sheets



US D721,272 S

Page 2

(56)

References Cited

U.S. PATENT DOCUMENTS

D668,541 S *	10/2012	McCoy et al.	D9/447	
D678,783 S *	3/2013	Wilcox et al.	D9/729	
D680,265 S *	4/2013	DeMarco et al.	D28/7	
D658,076 S *	4/2012	McCoy et al.	D9/723	
D658,504 S *	5/2012	McCoy et al.	D9/697	* cited by examiner

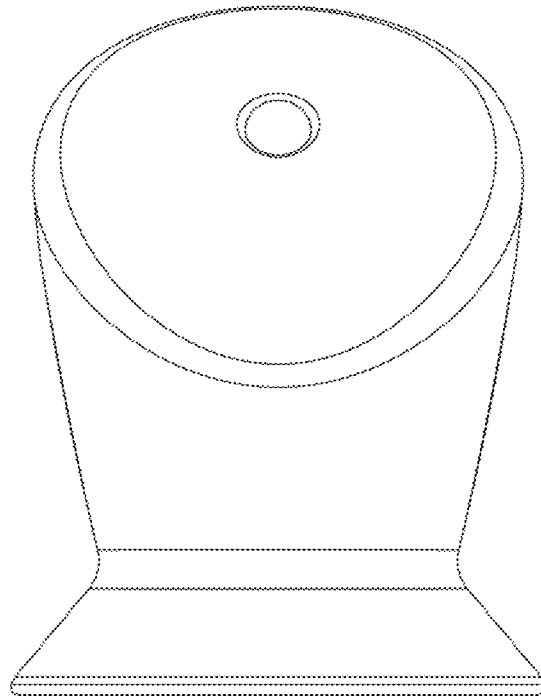


FIG. 1

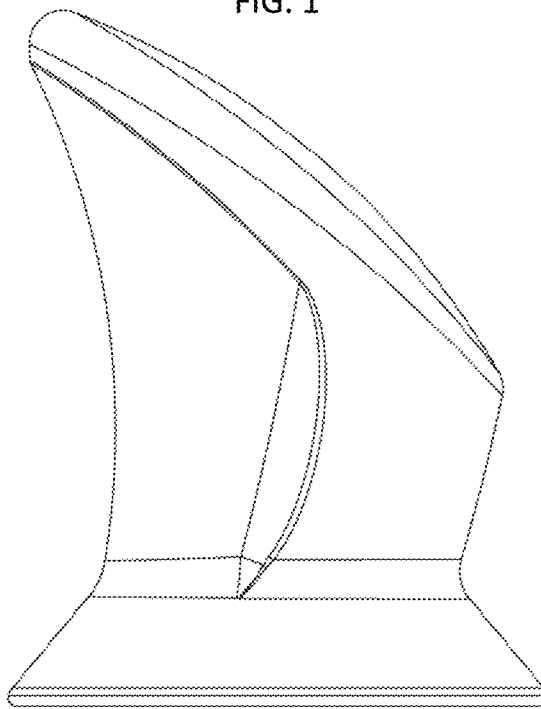


FIG. 2

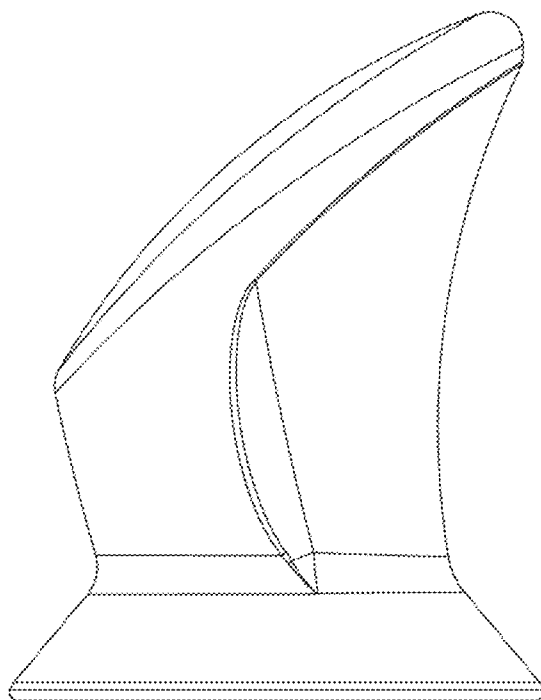


FIG. 3

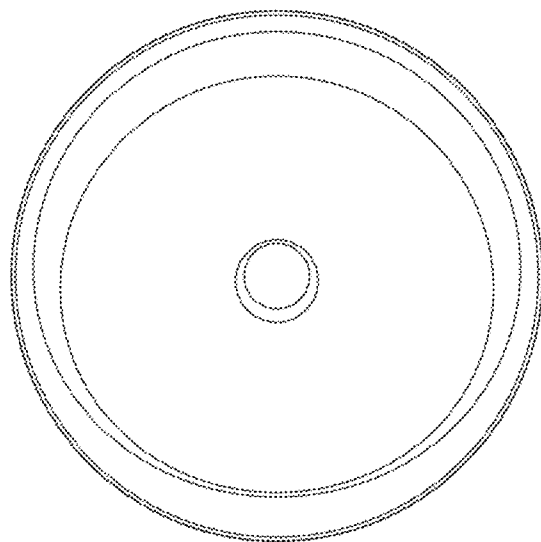


FIG. 4

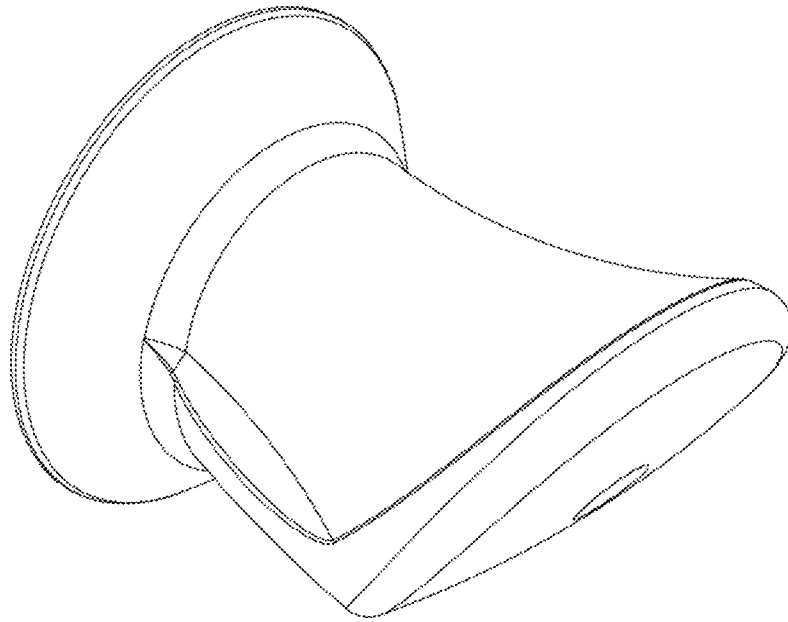


FIG. 5

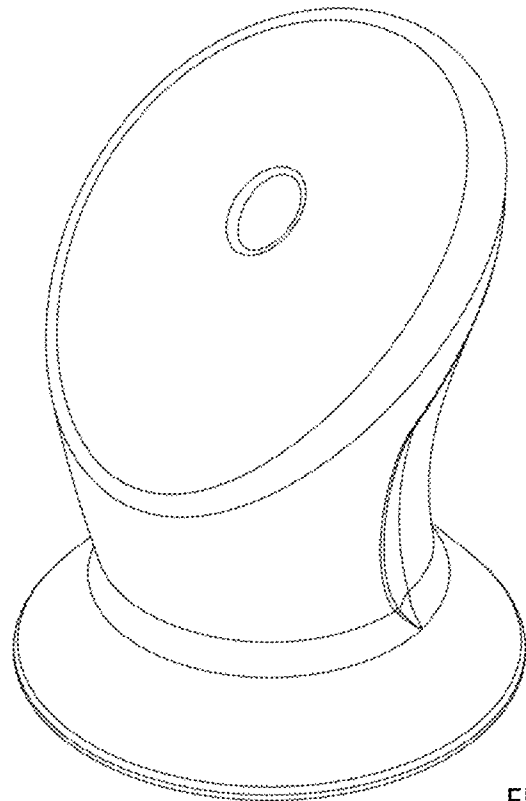


FIG. 6

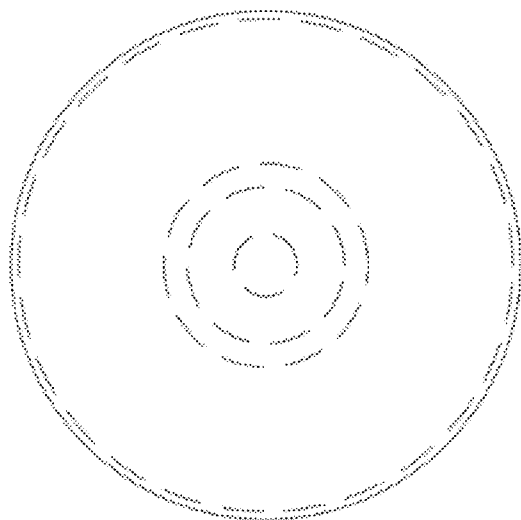


FIG. 7

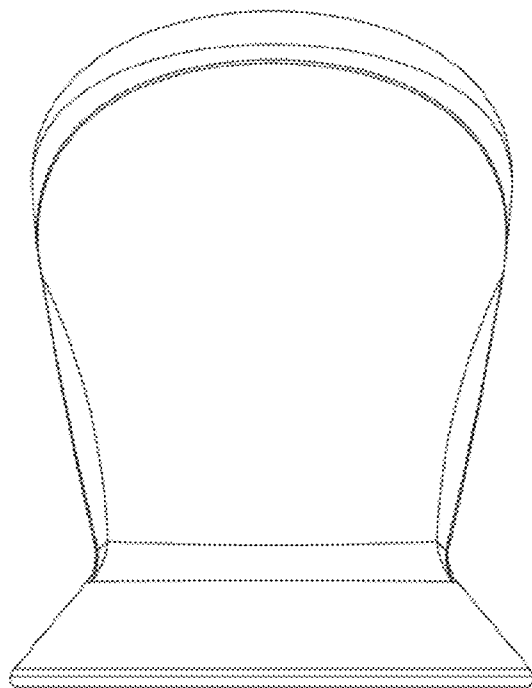


FIG. 8