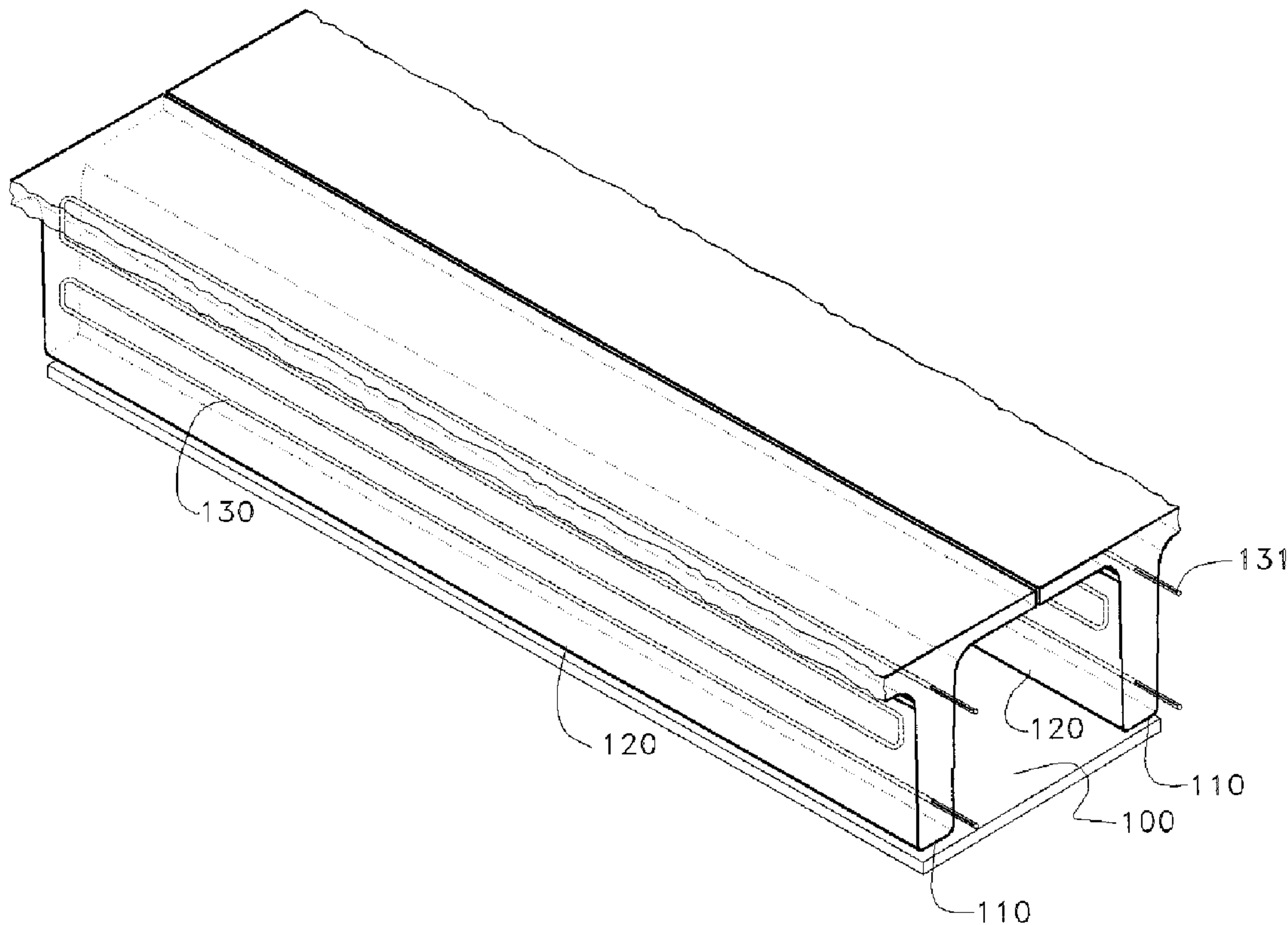




(86) Date de dépôt PCT/PCT Filing Date: 2011/09/16
 (87) Date publication PCT/PCT Publication Date: 2012/03/17
 (45) Date de délivrance/Issue Date: 2014/05/20
 (85) Entrée phase nationale/National Entry: 2011/12/05
 (86) N° demande PCT/PCT Application No.: CA 2011/001031
 (87) N° publication PCT/PCT Publication No.: 2012/034217
 (30) Priorité/Priority: 2010/09/17 (CA CA2010/001435)

(51) Cl.Int./Int.Cl. *E04B 5/48* (2006.01),
B28B 7/00 (2006.01), *E04B 1/04* (2006.01),
E04B 1/35 (2006.01), *F24D 3/14* (2006.01)
 (72) Inventeur/Inventor:
 TERON, WILLIAM, CA
 (73) Propriétaire/Owner:
 URBANETICS INC., CA
 (74) Agent: LEUNG, DENNIS S.K.

(54) Titre : NOYAU ET MODULE DE CHAUFFAGE RADIANT A AIR PULSE, ET IMMEUBLE AINSI EQUIPE
 (54) Title: FORCED AIR RADIANT HEATING UTILICORE AND MODULE AND BUILDING INCORPORATING SAME



(57) Abrégé/Abstract:

An HVAC duct or utilicore for substantially containing air flowing longitudinally therethrough has at least one wall comprised of a poured high thermal mass material with at least one pipe embedded therein during a pouring process, the at least one pipe for



(57) Abrégé(suite)/Abstract(continued):

circulating a fluid throughout the at least one wall at a temperature that is different from an ambient temperature of the air flowing through the utilicore, for effecting heat transfer through the at least one wall between the fluid in the at least one conduit and the air flowing through the utilicore. A side wall of an elongate monolithic poured concrete building construction module, having a substantially planar main wall and at least one side wall extending substantially parallel to a longitudinal axis, having a pipe embedded therewithin, may form at least a portion of an element that defines the utilicore. A storey-defining structure for a building may comprise a plurality of at least one of such construction modules, each module supported at at least two points by a support structure, each module being oriented such that distal ends of the side walls thereof engage the support structure, the at least one side wall and the main wall defining an elongate arch, the modules being juxtaposed in parallel relation to define at least one elongate utilicore between the arches. The support structure may comprise one or more modules employed as substantially horizontal beams or substantially vertical columns or both.

ABSTRACT

An HVAC duct or utilicore for substantially containing air flowing longitudinally therethrough has at least one wall comprised of a poured high thermal mass material with at least one pipe embedded therein during a pouring process, the at least one pipe
5 for circulating a fluid throughout the at least one wall at a temperature that is different from an ambient temperature of the air flowing through the utilicore, for effecting heat transfer through the at least one wall between the fluid in the at least one conduit and the air flowing through the utilicore. A side wall of an elongate monolithic poured concrete building construction module, having a substantially planar main wall and at
10 least one side wall extending substantially parallel to a longitudinal axis, having a pipe embedded therewithin, may form at least a portion of an element that defines the utilicore. A storey-defining structure for a building may comprise a plurality of at least one of such construction modules, each module supported at at least two points by a support structure, each module being oriented such that distal ends of the side walls
15 thereof engage the support structure, the at least one side wall and the main wall defining an elongate arch, the modules being juxtaposed in parallel relation to define at least one elongate utilicore between the arches. The support structure may comprise one or more modules employed as substantially horizontal beams or substantially vertical columns or both.

20

**FORCED AIR RADIANT HEATING UTILICORE AND MODULE AND BUILDING
INCORPORATING SAME****5 RELATED APPLICATIONS**

The present disclosure claims priority from PCT International Application Publication No. WO/2012/034207 filed September 17, 2010 by Urbanetics Inc., naming William Teron as inventor and entitled "Composite Building Module with a Thermal Mass Radiator".

10 TECHNICAL FIELD

The present disclosure relates to HVAC systems and in particular to an HVAC duct or utilicore having at least one wall comprising a high thermal mass material with an embedded radiating fluid pipe, to a modular precast prefabricated construction module incorporating such utilicores therewithin and to buildings constructed from such
15 modules in which such utilicores define a forced air radiant HVAC system.

INTRODUCTION

It is generally accepted that in order to condition and distribute air in a building, the air is contained and handled.

Despite numerous innovative building designs and construction techniques, heating
20 and/or cooling of buildings, especially commercial buildings, has conventionally employed forced air central heating and cooling. Such conventional systems employ a major primary heating and/or cooling source and a major air handling facility, to re-heat and re-cool the air, as well as a major network of distribution ducts and major mechanical devices to force the air throughout the building over long distances away
25 from the central source and return the air back again. The conventional central source heats (or cools) the circulated air to a temperature that is different (higher to provide heating and lower to provide cooling) than the ambient temperature of the building spaces being heated or cooled. Indeed, the temperature is raised (or lowered) beyond the desired temperature to take into account energy losses incurred during transport.
30 Additionally, the air is distributed at a velocity to substantially ensure circulation of the air throughout the building and back to the central source.

5 Such heating and cooling mechanisms are expensive to design, install, operate and
replace, inefficient, cumbersome and noisy.

The energy expended in heating and/or cooling the circulated air and to transport such
conditioned air throughout the building results in considerable expense. Still further,
heating the supplied air at a single plant located at an extremity of the building
10 involves a considerable amount of energy expenditure.

As well, the process of heating the air is inefficient. Moreover, thermal loss, as the air
is transported throughout the building, means that the heating or cooling effect, as the
case may be, may not be equally realized in all parts of the building. Accordingly, it is
frequently difficult to provide a desired amount of heating and cooling throughout the
15 entire building, even if it is to be maintained at a constant temperature.

An elaborate network of air-carrying ducts, typically constructed of galvanized metal or
other thin metal sheeting, is distributed throughout the building, to circulate the heated
and/or cooled air. The primary vertical and horizontal distribution ducts that allow the
air to be moved from the central source to the various floors of a building are usually
20 independent of the building's structural system and take up a large amount of valuable
space. Since all air comes from the central source, the largest duct is the cumulative
size of all secondary ducts, which can be very large. Typically, numerous sensors and
controllers are employed to provide a modicum of control over the temperature
distribution of the circulated air throughout the building and a number of personnel are
25 employed to set up, monitor and maintain the air quality in the building.

As the forced air is circulated through the flimsy sheet metal ducts, the velocity of the
air being moved, which ensures the circulation of the air throughout the building, often
causes the sheet metal to vibrate, bend and buckle, causing noise. Furthermore,
because of the inherent structural weakness in the duct sheeting material, the ducts,
30 which reduce the available headroom on each floor, are generally dedicated solely to
the HVAC function and do not perform any other significant functions such as load-
bearing structural support.

As a result, conventional sheet metal duct heating systems typically employ a dropped
ceiling to hide these mechanical devices. The dropped ceiling height is added to the
35 interior height of the building for each floor, which adds to the total volumetric
dimensions of the total building (or correspondingly reduces effective floor height).

- 5 The dropped ceiling is normally constructed with removable tile that is less durable than permanent materials such as concrete. The tile material soon ages the building, due to discolouration and breakage (which frequently occurs during building maintenance activities). This may reduce the attractiveness of the building and concomitantly, its financial revenue and capital value.
- 10 United States Patent No. 4,589,330 issued May 20, 1986 to Teron ("Teron No. 1") and entitled "Ceiling Structure", discloses a combined ceiling, air distribution system, mechanical chase and structural roof member for a building formed by a plurality of parallel inverted U-shaped modules, which are supported in a common horizontal plane. The flanges of adjacent modules are spaced apart and define the side walls of a duct, top and bottom walls for the duct also being supported between the adjacent
15 modules. The duct may be of any suitable dimension, and in particular may be sufficiently large as to handle air flow requirements for the heating, ventilating or air conditioning system for the building. The duct may also accommodate other services, such as electrical, plumbing, compressed air, etc. This arrangement dispenses with a
20 suspended ceiling throughout the building which has conventionally been provided beneath the duct work and service lines attached to the ceiling of a building. Similar U-shaped modules are used as horizontal beams to support the U-shaped cross-members and others are used as vertical columns to support the beams. The hollow space inside the U-shaped beams and columns are then used as the distribution ducts to supply and
25 return air to and from the main cross-members. Buildings constructed using the Teron No. 1 module may still have installed therein conventional central forced air HVAC systems substantially as described above.
- Canadian Patent No. 2,144,938 issued May 29, 2007 to Teron ("Teron No. 2") and entitled "Method Of Manufacturing Building Modules And Structures Formed Thereby",
30 discloses a molding assembly comprising a U-shaped mesh, U-shaped formwork and pieces removably fixed to opposite edges of the mesh in parallel planes orthogonal to planes of the U-shaped mesh, the framework end pieces having a width at least as thick as walls of a U-shaped module to be cast therebetween and enveloping the mesh, and having opposite edges containing the mesh therebetween.
- 35 The cost of installing radiant heating / cooling piping in floors or walls in conventional technologies is labour intensive, involves custom pre-planning and engineering and

5 may lack a capability to condition or distribute the air to other parts of the building where it may be appropriate.

PCT International Publication Application No. WO/2012/034207 ("Teron No. 3") filed internationally on September 17, 2010 by Teron and entitled "Composite Building Module with a Thermal Mass Radiator", discloses a precast monolithic concrete
10 prefabricated, self-supporting building construction module formed of a substantially planar main wall and at least one substantially planar side wall integral therewith. The at least one side wall terminates at one end at a corresponding end of the main wall. The main wall has a length and each of the at least one side walls has a length
15 extending in a first direction substantially normally away from the main wall sufficient to substantially enclose and define walls of a standard facility, the at least one side wall supporting the main wall to cause the module to be free-standing while devoid of lateral support. The main wall has embedded therewithin a radiator pipe for circulating a fluid at a temperature that is different from an ambient temperature of the modular component within the main wall. Modular components comprising a U-shaped module
20 having an elongate straight section with two side walls, an L-shaped module having one side wall and an in-fill panel having no side walls may be used in combination to define rooms on a floor surface and to form a building structure.

However, radiant heating typically suffers from an inability to actively control the air, supply and condition the air, which inevitably involves air handling. Moreover, radiant
25 heating / cooling systems do not provide any air distribution or ventilation, which is desirable in commercial buildings with a large number of occupants and which may have industrial applications.

Further, radiant heating / cooling systems installed on an open floor or wall surface typically have a slow response time, especially in comparison to conventional central
30 forced air HVAC systems. It is thus generally believed to be inefficient and expensive to employ radiant heating and cooling systems as the sole HVAC system in commercial buildings. As a result, radiant heating, to provide effective heating / cooling capability, typically employs a second air system to distribute and control the air.

In "Thermal Mass and Energy Performance" by Hall and published in the March / April
35 2010 issue of SABMag at pp. 20-24 ("Hall"), radiant systems are disclosed in which heating / cooling coils are cast into wall elements. Hall also discloses forced air ventilation systems that draw in cool night air through the voids formed in pre-cast

5 hollow-core concrete slabs that cool the slabs' mass in the process. However, it is apparent that the radiant systems and the hollow-core slabs disclosed by Hall are different and unrelated approaches, since pre-cast concrete hollow-core slabs are extruded after casting to form the small voids longitudinally therein and, as such, are not formed with coils embedded in such slabs during the casting or pouring process.

10 "Double T" slabs are described in "Precast / Prestressed Concrete Structural Floor & Roof Systems Technical Brochure", published by the Canadian Precast / Prestressed Concrete Institute. Such slabs have a back slab with two descending protrusions spaced such that when two double-T slabs are aligned side to side, the spacing
15 between the protrusions of each slab is substantially the same as the spacing between a protrusion of one of the double-T slabs and a proximate protrusion of an adjacent double-T slab.

Buildings employing double-T slabs as floor/ceiling elements may have mechanical systems deployed between any of the protrusions and may be hidden by employing suspended ceilings engaging the lower extremities of the protrusions, thus sacrificing
20 available headroom by an amount substantially equal to the height of the protrusions.

The spacing of the side slabs create a situation where each space is too large to serve as a duct for the transport of forced air and too small to serve as a domed ceiling adequate to form regular-sized rooms.

BRIEF DESCRIPTION OF THE DRAWING

25

30

Example embodiments of the present disclosure will now be described by reference to the following figures, in which identical reference numerals in different figures indicate identical elements and in which:

FIGURE 1 is a partial isometric view of an example of a utilicore formed by juxtaposing two larger elements in accordance with an example embodiment of the present disclosure;

FIGURE 2 is an isometric view of an example embodiment of a module with a thermal mass radiator embedded within its side walls in accordance with an example embodiment of the present disclosure;

FIGURE 3 is an isometric view of an example embodiment of a mold for use in constructing the module of **Figure 2** in accordance with an example embodiment of the present disclosure;

FIGURE 4 is an isometric view from above of a building in which a plurality of the modules of **Figure 2** are deployed to form ceiling/floor elements of two storeys, in accordance with an example embodiment of the present disclosure;

FIGURE 5 is a perspective view from below of a first storey of the building of **Figure 4**;

FIGURE 6 is a cross-sectional end view of a plurality of the modules of **Figure 2** deployed to form ceiling/floor elements of at least one storey of the building of **Figure 4**, taken along section **6-6**;

FIGURE 7 is a cross-sectional view of a plurality of the modules of **Figure 2** deployed to form ceiling/floor elements of at least one storey of the building of **Figure 4**, taken along section **7-7**;

FIGURE 8 is an isometric view from above, partially cut-away, of a portion of an example embodiment of at least one storey of the building of **Figure 4**, showing an example of radiant heating/cooling fluid circulation loops throughout utilicores according to **Figure 1**, defined by modules according to **Figure 2**, and employed as structural elements including cross-elements, beams and columns;

FIGURE 9 is an isometric view from above, partially cut-away, of a portion of an example embodiment of at least one storey of the building of **Figure 4**, showing an example of air circulation loops throughout utilicores according to **Figure 1**, defined by modules according to **Figure 2**, and employed as structural elements including cross-
5 elements, beams and columns;

FIGURE 10 is an isometric view from above, partially cut-away, of a portion of an example embodiment of at least one storey of the building of **Figure 4**, in which U-shaped modules are employed as both beams and columns;

FIGURE 11 is a cross-sectional side view of the module of **Figure 2** deployed to form
10 a ceiling/floor element of at least one storey of the building of **Figure 4** and supported by the U-shaped modules of **Figure 10**, deployed as beams and columns, taken along section **11-11**; and

FIGURE 12 is a cross-sectional side view of an example embodiment of the building of **Figure 4**, showing an example configuration of air circulation loops employing the
15 chimney effect.

DESCRIPTION

The present disclosure provides an example embodiment of an HVAC utilicore, having at least one wall comprised of a poured high thermal mass material, having embedded therewithin, during a pouring process, a pipe for circulating, throughout the at least
20 one wall, a fluid at a temperature that is different from an ambient temperature of the air in the pipe, and for effecting heat transfer between the fluid and air flowing through the utilicore.

Employing forced air radiant heating and cooling through the described utilicore with high thermal mass and having embedded radiant piping overcomes limitations of
25 conventional floor or wall-based radiant heating technologies, including lack of air movement, conditioning and distribution.

Using concrete as the ducting system throughout a building achieves a rating of a “heavy” thermal structure, as described in Hall that has a maximum potential to retain and release heating / cooling throughout a building. The extensive concrete thermal
30 mass in the utilicore maximizes capture of ambient, passive and active heating /

cooling throughout the building, the thermal mass acting as energy batteries for the entire building, retaining the heating and cooling energy within the building and reducing the size and cost of a primary source of heating and cooling.

5 The utilicore employs its thermal mass properties, in conjunction with the embedded heating and cooling radiant piping, to retain and release heating and cooling and provide the primary source of heating and cooling.

10 In some example embodiments, the radiant pipes incorporated within each module heat and cool the air within the full length of every module and serve as the primary source of heating and cooling. Only the fluids circulated through the embedded pipes are returned, in a much reduced manner, to a central fluid circulation resource. In some example embodiments, such a fluid resource in a building comprises fluid sources and/or circulators and/or boilers and/or chillers, that deliver hot or cold fluid to the network of pipes embedded within the utilicores, to baseboard radiators that may be placed along the external walls of the building, or both.

15 In some example embodiments, the air supplied from an air supply in a building is not heated or cooled by a central heating / cooling facility. Rather, the air flowing through the utilicore, is heated and cooled by the utilicore and serves every part of the building. The substantially large cross-section of the utilicore relative to conventional sheet metal ducting provides excess capacity to transfer heated or cooled air throughout a building to compensate for the various orientations of spaces within the building and variable heating / cooling loads and demands. Additionally, it permits deployment of a low velocity air system which in turn may result in significantly lowered air noise levels. This may be particularly advantageous in offices, schools, theatres or other structures, where the reduction of environmental noise may be a concern.

25 In some example embodiments of the disclosed system, a looped system of modules allow the air to return internally, all the while being re-heated or cooled by the thermal mass radiant heating and cooling within all modules. The substantial elimination of long air travel time reduces heat loss attendant with such conventional return air systems, as well as the cost of ducts and mechanical systems used to move such a large volume of air to a central facility. Further, the substantial elimination of a return air system to a central location significantly reduces the cost and maintenance of such a system.

In some example embodiments, the primary supply and return ducts, and in some example embodiments the secondary supply and return ducts, are looped and in some example embodiments, cross-looped. In some example embodiments, the ducts have motorized dampers at junctions, which may be activated by thermostats to adjust to a requested temperature, to extract the air or to have it re-circulated.

In some example embodiments, to provide even more precise heating / cooling demands to each location, Variable Air Volume (VAV) diffusers activated by individual thermostats, may be installed within utilicores.

This permits dispensing with a return air system, such as is employed in a conventional radiant heating and cooling HVAC installation where all of the air is returned to the central heating/cooling equipment before being sent back. Conversely, in this disclosure, the air remains in localized parts of the building.

As a result of the foregoing, considerable cost, energy and operational efficiencies, as well as improved HVAC performance may be observed in installations employing the described utilicore.

The rigidity of the utilicore may also serve to house mechanical systems including service utility conduits and fire suppression systems.

The present disclosure also describes a composite modular precast pre-finished concrete structural module, reconfigured from the module described in Teron No. 1, into a double-T configuration by the addition of integral transversely extending wings and by energizing the side walls with embedded heating / cooling radiant pipes. This allows the area defined by the wings and side walls to define a utilicore that acts as a forced air distribution duct, with the radiant pipe acting as a primary source of heating / cooling in a building constructed using such module.

The advantages of using concrete as a "heavy" thermal mass structure are intensified if the disclosed module is employed to form structural cross-elements throughout the building, in part because the structural elements are pre-finished, thus permitting them to remain exposed. When concrete with heavy thermal mass is not pre-finished and is covered in other finishing materials, such as gypsum board, the benefits of thermal mass are reduced.

The relatively narrow utilicores extend between wide pre-finished vaulted ceiling arches, which are aesthetically pleasing and provide increased headroom to the building spaces.

When the disclosed module is further employed as a structural element of the building to form beams and/or columns with an array of available utilicores, substantially all of the air in the building passes the full length of all the main concrete supply and return utilicores formed along the floor/ceiling cross-elements, as well as the secondary distribution supply and return utilicores, formed along the beams and/or columns. These ducts and utilicores may form the primary heating and cooling sources of the building, providing a complete forced air radiant heating and cooling system throughout the entire building at little or no additional cost, since the only substantial additional cost involves embedding pipes into the side walls of each module during the casting process.

As described in Teron No. 1, the use of the composite precast pre-finished module as a floor / ceiling (and/or beam and/or column) building product provides structure, pre-finishing and lighting infrastructure.

The disclosed module thus takes advantage of the manufacturing costs absorbed by provision of the structural and infrastructural features of the composite module, the budget for all the finishing of the ceiling in a building, as well as the ability offered by utilization of the module, to lower construction costs related to: transportation of materials to the site, lifting material into the building and planning, designing, managing and supervising the construction process. The value added by incorporating a radiant heating and cooling pipe into a forced air system may be substantial, while the cost of incorporating the radiant piping into existing construction molds and manufacturing systems may be minimal.

Furthermore, the radiant heating capability provided by the utilicore disclosed herein achieves further savings related to: substantially dispensing with the cost of designing, providing and installing an independent additional system to provide conventional forced air heating / cooling capability as well as handcrafting a radiant heating piping system.

As a result, it is anticipated that the entire building construction process, as well as the provision of radiant heating and cooling capability, may be achieved at a fraction of the cost of conventional installation.

In some example embodiments, the movement of air through the utilicore is caused by negative pressure created by the chimney effect within major vertical air ducts. The chimney effect is caused by the principle that hot air rises, and the higher the column, the greater the chimney effect or flow of air in the column. As air is drawn up a column by the chimney effect, it is able to draw air from adjacent parts of the building. In some example embodiments, forced air is created by using natural or mechanical means to create a negative pressure in return air columns, initiating and maintaining the chimney effect. In such fashion, the air distribution system conventionally employed in forced air HVAC systems may be significantly reduced in size or even obviated.

In some example embodiments, natural fresh air is introduced into the air system at a base level, through air supply columns designed to pre-heat or cool the natural fresh air. In some example embodiments, geothermal based air or liquid sources may be employed to perform such pre-heating / pre-cooling to achieve still greater efficiencies.

Accordingly, in addition to the considerable savings that may be achieved by employing the disclosed module in building construction, employing the disclosed module may result in considerable cost savings during operation.

The present disclosure will now be described in detail for the purposes of illustration only, in conjunction with certain embodiments shown in the enclosed drawings.

The Utilicore Concept

The present disclosure introduces a concept known as a utilicore. As shown in **Figure 1**, a utilicore, shown generally at **100**, acts as an integrated heating / cooling source and as an HVAC duct. In some example embodiments, the utilicore **100** is formed by adjacent modules **110**, which are described in greater detail below, under the heading entitled "The Module".

In some example embodiments, the utilicore **100** has or is defined by walls **120** composed of a poured high thermal mass material, such as concrete, with a radiating

fluid pipe **130** embedded during a casting or pouring process. The pipe **130** is supplied with fluid that circulates through it at a temperature that is different from an ambient temperature of air flowing through the utilicore **100**. In some example embodiments, the fluid is circulated through the pipe **130** in a closed loop system from
5 a central fluid circulating resource **810** (**Figure 8**).

The air is contained and flowed under pressure through the concrete utilicore **100**, without any additional metal ductwork, for distribution throughout a building **400** (**Figure 4**) or portion thereof.

However, unlike conventional forced air HVAC systems employing ducts, the air flowing
10 through the utilicore **100** is substantially continuously heated and cooled primarily, if not solely, by fluid flowing through the pipe **130** within its walls. The walls **120**, composed of a high thermal mass material, such as concrete, with an embedded pipe **130**, effect heat transfer between the air flowing through the utilicore **100** and fluid passing through the pipe **130**, which is at a temperature that is different than an
15 ambient temperature of air flowing through the utilicore **100**.

Thus, the utilicore **100** may provide forced air radiant heating capability, in which the fluid in the pipe **130** is at a higher temperature than the ambient temperature of air flowing through the utilicore **100**, so that heat radiates from the pipe **130**, through the high thermal mass material wall **120** and into the air flowing through the utilicore **100**.
20 By doing this, the concrete has been converted from a passive element to a dynamic element in the heating and cooling of a building.

Similarly, the utilicore **100** may provide forced air radiant cooling capability, by ensuring that the fluid in the pipe **130** is at a lower temperature than the ambient temperature of air flowing through the utilicore **100**, so that heat radiates from the air
25 flowing through the utilicore **100**, through the high thermal mass material wall **120** and into the fluid circulating through the pipe **130**.

If, as in some example embodiments, a network of utilicores **100** extend through the entire building, the length of time that energy radiates between the pipe **130** and the air flowing through the utilicores **100** may permit effective heating / cooling of the air
30 for circulation throughout the building, without initially heating or cooling the air and

without returning the air to a central air handling supply facility, as is done in conventional forced air HVAC systems.

5 Circulation of heated / cooled fluid in small pipes **130** through all the utilicores **100** is understood to be more efficient than circulation of large quantities of heated / cooled air, along separate large supply and return ductwork systems, at great distances to a central heating source to be heated / cooled and back again. In this way, heating and cooling losses may also be substantially reduced.

10 In some example embodiments, forced air radiant heating / cooling capability may be provided by a utilicore **100** defined by walls **120**, at least one of which is composed of a high thermal mass material, of which at least one of which walls **120** has an embedded pipe **130**.

The Module

15 Referring to **Figure 2**, there is shown an isometric view of an example embodiment of an elongate construction module **110**, comprising a precast concrete unitary structure having a planar main wall **210** and two planar side walls **120** extending substantially normally outwardly from a common surface **211** of main wall **210** in spaced-apart configuration and being integral therewith.

20 In some example embodiments, the side walls **120** extend from positions inset from the opposing ends of main wall **210**, to define transverse outwardly extending wings **230**, in some example embodiments, of substantially equal width d , thus imparting a generally double-T shaped configuration to the module **110** along its longitudinal axis.

In some example embodiments (not shown), the side walls **120** extend from substantially each of the opposing ends of main wall **210**, thus imparting a generally U-shaped configuration to the module **110** along its longitudinal axis.

25 In some example embodiments, both side walls **120** have pipes **130** embedded therein. In some embodiments, the pipes **130** extend between a pair of inlet/outlet junctions **131** intersecting the side wall **120** of the module **110** at an end thereof, for allowing fluid to flow into and out of the pipe **130**. The pipes **130** and inlet/outlet junctions **131** are described in greater detail below, under the heading entitled
30 "Radiant Heating and Cooling of Modules".

The module **110** has a longitudinal dimension or length l . The main wall **210** may be defined in terms of a width w of the module **110** and the side walls **120** may be defined in terms of a height h of the module **110**, as shown in **Figure 2**. In some example embodiments, the side walls **120** are inset from opposing side edges of main wall **210** by a distance d to provide wings **230** of width d .

Each of the side walls **120** have a facing interior side wall surface **221** and an opposed exterior side wall surface **222** that are substantially parallel. The interior side wall surfaces **221** are separated by an interior main wall surface **211** and the exterior side wall surfaces **222** are separated by an exterior main wall surface **212** which is substantially parallel to the interior main wall surface **211**.

In some example embodiments, the thickness t of the side walls **120**, that is, the separation between an interior side wall surface **221** and the corresponding exterior side wall surface **222**, are sized for applicable structural guidelines. Such sizing easily accommodates any constraints imposed by the use of the utilicore **100** as a heating / cooling duct.

In some example embodiments, the side walls **120** are provided with a small degree of draft (not shown) between their interior side wall surfaces **221** and their corresponding exterior side wall surfaces **222** in order to facilitate de-molding or stripping of the module **110** from construction molds **300** (**Figure 3**) as described herein, without significantly impacting the basic "squareness" of the side walls **120** relative to the main wall **210**.

In some example embodiments, the intersection between the interior main wall surface **211** and one of the side wall surfaces **221**, **222** or both, may be rounded to provide added strength, a more aesthetically pleasing appearance and to provide ease of cleaning the wall surfaces **211**, **221**, **222** and to facilitate the removal of the concrete from the mold **300**.

In some example embodiments, the width w of the main wall **210** and the height h of the side walls **120** of the module **110** may each be multiples, respectively designated n and p , of a module dimension M . In some example embodiments, the depth d that the side walls **120** may be inset from the opposing side edges of main wall **210**

may also be a multiple q of the module dimension M . In some example embodiments, the multiples n , p , q or any combination of any of them, may be integers or half-integers.

In some example embodiments, to conform to structural guidelines for typical North American commercial construction, the module dimension M may vary from 32 inches (80 cm) to 36 inches. In some example embodiments, for other countries, the module dimension M may be 90 cm.

In some example embodiments, again to conform to structural guidelines, with such module dimension M , a module **110** suitable for use as a cross-element **410** (**Figure 4**) may have a main wall **210** width w with a multiple n of 4, a height h of side walls **120** with a multiple p of 1 and a width d of wings **230** with a multiple q of 0.5. Accordingly, the span s (**Figure 2**) between the side walls **120** may be substantially a multiple of 3 times the module dimension M . In some example embodiments, the module **110** may have a length l in the range of 10 to 20 metres.

15 Production of Modules

As shown in **Figure 3**, in some example embodiments, the module **110** may be formed by the pouring of concrete around the embedded pipe **130** into an elongate mold **300**. The mold **300** comprises a form that substantially reproduces the dimensions of the side walls **120** (facing downwardly into the mold **300**) and the main wall **210**, into which concrete may be poured to the top of the mold **300** to form the main wall **210** and the side walls **120** of the module **110**.

The mold **300** comprises two spaced-apart elongate trenches **301** and a main wall form **303** extending from open upper ends of the trenches **301**. The trenches **301** each define an elongate side wall cavity **302**, which substantially reproduces the dimensions of the side walls **120** of the module **110** to be produced by the mold **300**. The main wall form **303** defines a main wall cavity **304**, which substantially reproduces the dimensions of the main wall **210** of the module **110** to be produced by the mold **300**. The main wall cavity **304** is in communication with each of the side wall cavities **302**, such that uncured concrete may be poured into the mold **300** to fill each of the side wall cavities **302** and the main wall cavity **304**, for production of a module **110**.

In some example embodiments, the length of the mold **300** exceeds the maximum length l of a module **110**. The length l of modules **110** may vary according to their intended function. Modules **110** of lesser length may be obtained by inserting transverse headers **310** into the mold **300** to longitudinally divide the mold **300**,
5 define at least one partition within the mold **300** and restrict concrete poured into the partition from occupying the mold **300** beyond the partition. Modules **110** of lesser length may also be obtained by otherwise limiting the longitudinal extent to which the poured concrete will flow.

The mold **300** shown in **Figure 3** may provide for the construction of a double-T shaped module **110** with transverse outwardly extending wings **230**. In some
10 embodiments, this is accomplished by having the mold **300** extend laterally beyond at least one outer side of at least one of the trenches **301**, defining at least one wing cavity **305**. In such embodiments, the at least one wing cavity **305** allows for the formation of at least one wing **230** that extend beyond side walls **120**. In some
15 embodiments, the mold **300** extends laterally beyond outer sides of both trenches **301**, defining one wing cavity **305** on each side of the mold **300**, allowing the mold to produce a double T- shaped module **110**.

In some example embodiments, blocks **307** may be positioned in the trenches **301**, to restrict poured concrete to the portion of the side wall cavity **302** that is above the
20 block. In this manner, the height h of the side walls **120** formed by the mold **300** can be reduced. However, because the height h of the side walls **120** achievable in a given mold **300** is limited, care should be taken in determining an appropriate depth of the mold **300** (as well as the width of the main wall form **303**) to ensure modules of suitable dimension may be formed in the mold **300**.

25 In some example embodiments, subject to minor constraints imposed by the addition of pipes **130** as described herein, which also may be positioned within the mold **300** to be embedded within the concrete when poured, to form the module **110**, steel reinforcing rods **320** and steel mesh **330** or both may be positioned within the mold **300** to be embedded within the concrete when poured to form the module **110**. In
30 some example embodiments, the reinforcing rods **320** in the concrete may be prestressed.

The module **110** is a composite multi-task unitary product that may be mass-produced in a variety of lengths l using a single mold **300**, without regard to the function to which it will be put and irrespective of in which building **400** or structure, project or country it may be used.

- 5 The production of multiple widths w or heights h of module **110** may involve deployment of a corresponding plurality of suitably dimensioned molds **300**. In some example embodiments, a single mold **300** may be employed to produce modules **110** of differing height h , width w , width d thickness t , or any combination of any of them, for example, in non-limiting fashion, the mold **300** may have a depth
- 10 corresponding to a maximum height h of the module **110**, and modules **110** of a lesser height h may be produced for such a mold **300** by deploying blocks **307** into parts of the mold **300** corresponding to the side walls **120** having a height that is substantially equal to the difference in relative heights in the trenches **301** of the mold **300** and the side wall(s) **120**, to displace concrete from such parts.
- 15 The availability of multiple sizes of module **110** provides flexibility to service a wide range of building plans and arrangements demanded by a (geographically, culturally and architecturally) diverse marketplace, including but not limited to the application as horizontal floor/ceiling cross-members **410** (**Figure 4**), or indeed as horizontal beam **1020** (**Figure 10**) or vertical columns **1030** (**Figure 10**) or both, as disclosed in
- 20 example embodiments herein.

In some example embodiments, because of the modular nature of the module **110**, a single universal mold **300** is used (and re-used for years both within the same site and in parallel and/or subsequent projects). Accordingly, the mold **300** may be a relatively more expensive but high quality and precise open steel mold, which is vibrated and

25 trowelled to provide precise dimensional stability and a high quality final surface finish to both the inner walls **211**, **221** and exterior walls **222**, not generally available with conventional concrete forming techniques. While the mold **300** is more expensive, its high repeat use in the manufacturing process makes it less expensive than single use conventional wood forming which is labour intensive and wasteful. Those having

30 ordinary skill will appreciate that concrete cast in a steel mold **300** produces a substantially finer surface relative to the finish achieved using conventional wooden

forms as the concrete forming technique. Such final surface finishes can accommodate an interior finish such as paint, fabric or wallpaper or an exterior finish such as paint, or a cladding of concrete, wood, aluminum, vinyl, brick or stone, without significant or any additional surface preparation.

- 5 The modular concept allows high repetition of similar modules **110** and the ability to link one module **110** to the next in an infinite variety of module **110** arrangements and permits each module **110** to have substantially identical serpentine pipes **130** to provide radiant heating / cooling capability. Because the pipes **130** have been pre-engineered, pre-fabricated, mass-produced and then dropped into place in the mold
- 10 **300** of a composite pre-engineered and pre-fabricated building product prior to casting or pouring, both the pipes **130** and the modules **110** share material, labour, transportation and installation costs, which may significantly reduce the overall cost of the building **400**.

In some example embodiments, the mold **300** may be provided to users as part of a

15 kit, comprising a quantity of pourable concrete for use with the mold **300**. Additional components may be included with the kit, such as blocks **305** for insertion into the wing cavity **305**, spacer blocks **307** for positioning in the trenches **301**, transverse headers **310**, reinforcing rods **320** and mesh **330** for embedding within the concrete to be poured into the mold **300**, and a pipe **130** for embedding within a side wall **120**

20 of the module **110**.

Thus, the use of the composite module **110**, including without limitation, when produced using mold **300**, may eliminate a number of layers of construction materials and a number of labour activities. This may provide an improved cost/benefit ratio in terms of both quality and quantity when compared to conventional on-site construction

25 techniques. This process may substantially eliminate on-site concrete forming and on-site multiple-layered construction materials and labour activities.

In some example embodiments, a U-shaped module may be constructed using a similar mold (not shown), in which lateral sides of the main wall form **303** may be of increased height and decreased width relative to the double-T shaped module **110**, to

30 permit the formation of a main wall **210** that does not extend beyond the extent of the side walls **120**. In some example embodiments, mold **300** may be employed to

construct U-shaped modules by positioning blocks **306** in the wing cavities **305** to restrict poured concrete from occupying the mold **300** within the wing cavities **305**.

As discussed in later sections, in some example embodiments, U-shaped modules may be employed as beams **1020** (**Figure 10**) or columns **1030** (**Figure 10**) or both. In such embodiments, such U-shaped modules are structural and as a result, will have different dimensions than the double-T shaped modules **110** employed as cross-members **410** (**Figure 4**) discussed in the next section. Thus, it is unlikely that a common mold **300** will be employed to provide both double-T shaped modules **110** to be employed as cross-members **410** and U-shaped modules to be employed as beams **1020** and columns **1030**.

Using Modules as Cross-Members

Turning now to **Figure 4**, in some example embodiments, in addition to its role as the primary heating and cooling source, with its embedded radiant heating / cooling pipe **130**, the module **110** may be deployed as a floor / ceiling cross-member **410** of a building **400**, supported at each end by a substantially horizontal transverse beam **420**, which may be supported at each end by a substantially vertical column **430**. In such a configuration, the air is heated and cooled within the full length of every module **110**. This may serve as the primary source of heating and cooling, so that in some example embodiments, only the radiant fluid circulated through the pipes **130** are returned to a central fluid circulation resource **810** (**Figure 8**).

In some example embodiments, notches **510** (**Figure 5**) may be formed in the side walls **120** of the module **110**, each for receiving a beam **420**. In some example embodiments, the beams **420** are supported on shoulders **431** of the column **430**. In some example embodiments, at least one of the cross-members **410** may be supported at at least one intermediate point **1040** (**Figure 10**) by a beam **420**. In some example embodiments, at least one of the beams **420** may be supported at at least one intermediate point (not shown) by a column **430**.

In such a deployment, the module **110** may be oriented such that its longitudinal axis is substantially horizontally oriented with its side walls **120** descending from the main wall **210**. Thus, the main wall **210** of cross-member **410** may form a substantially horizontal surface that defines part of a ceiling of a lower storey and concurrently, part

of a roof element or part of a floor of an upper storey, as the case may be, of building **400**. If used as part of a floor, the cross-members **410** may be clad with a poured concrete floor layer **11** or other suitable flooring material. In some example
5 embodiments, radiant heating / cooling may also be provided to such floor layer **11** by positioning at least one tube (not shown) over the cross-members **410**, to be embedded within the poured concrete floor layer **11** and filled with heated or cooled fluid (as the case may be) in conventional fashion.

In some example embodiments, each cross-member **410** extends in the longitudinal direction. In some example embodiments, the length l of modules **110** used as cross-
10 members **410** may be in the range of 10 to 20 metres. This dimension is sometimes controlled by the spans employed for parking, which dictate the span size and multiples thereof throughout the building **400**.

In some example embodiments, the cross-member **410** extends over substantially half a portion of the width of the supporting beam **420**, permitting a second cross-member
15 **410**, parallel, and in some example embodiments collinear, with the first cross-member **410**, to extend over and be supported by a portion of the beam **420**.

A plurality of cross-members **410** are arranged in a common plane such that the side walls **120** of adjacent cross-members **410** are substantially parallel and positioned side-by-side, as shown in **Figure 4**. In some example embodiments, adjacent cross-
20 members **410** may be relatively longitudinally offset (shown in example fashion in **Figure 10**).

In some example embodiments, the separation between the side walls **120** of adjacent cross-members **410** may be an integer multiple of the module dimension M .

In some example embodiments, the width d of the wings **230** may be a half-integer
25 multiple of the module dimension M . In some example embodiments, the width d of wing **230** may be $M/2$ so that the separation between the side walls **120** of adjacent cross-members **410** may be the module dimension M , that is $M = 2d$. In some example embodiments, the span s between the side walls **120** of the cross-member **410** is 3 times the module dimension M .

When the cross-members **410** are so arranged in a side-by-side configuration to define a ceiling / floor structure, the wing **230** and adjacent side wall **120** on each side of each module **110** define a utilicore **100**, extending parallel to and between adjacent ceiling vaults **450**.

- 5 In some example embodiments, the height h of the side walls **120** may be substantially 0.8 m and the width d of the wings **230** may be substantially 0.4 m, resulting in a utilicore **100** substantially 0.8m wide by 0.8m high.

In some example embodiments, the span s between the side walls **120** of a cross-member **410** is large relative to the width $2d$ of the utilicore **100**, so that the overall
 10 aesthetic impression created is of a high vaulted ceiling periodically interrupted by relatively narrow utilicores **100**. As may be better seen in **Figure 5**, which shows the cross-members **410** in perspective view from below, in some example embodiments, the vaulted ceiling elements **450** take advantage of the height h of the side walls **120**, which is conventionally lost, for example, when conventionally-constructed buildings or
 15 double-T slabs are provided with suspended ceilings over their entire area. Therefore, the net interior height of each floor of a building is higher when the suspended ceiling is eliminated.

The aforementioned aesthetic impression may be fostered by painting the exposed surfaces **211**, **221** of the vaulted ceiling elements **450**, by introducing indirect lighting
 20 elements **720** (**Figure 7**), directing light upward against such exposed surfaces **211**, **221** of the vaulted ceiling elements **450** (permitting diffuse light to be reflected downwardly), or any combination of any of these. In some example embodiments, the at least one indirect lighting element **720** is secured to a distal end of the side wall
 25 **120** with upward-extending deflectors **721** for reflecting light upward against the vaulted ceiling element **450**, without substantially detracting from the impression of high, wide ceilings. In some example embodiments, such lighting element **720** may be an incandescent, halogen or fluorescent light fixture or other suitable lighting source.

In some example embodiments, a transverse light fixture **722** may be deployed
 between and supported by adjacent light fixtures **720** to provide additional light to the
 30 vaulted ceiling elements **450** and to provide a surface for the attachment of interior partition walls **735** that are of substantially the same height as partition walls **735** that

are fastened to the underside of the side walls **120**. In some example embodiments, such light fixture **722** may be an incandescent, halogen or fluorescent light fixture or other suitable lighting source.

Utilicores Formed From Cross-Members

5 Referring now to **Figures 5, 6 and 7**, and as described above, in some example embodiments, utilicores **100** may be defined by arranging cross-members **410** in a side-by-side configuration. In such a configuration, the abutting wings **230** of the adjacent cross-members **410** form a top wall of the utilicore **100**, and the adjacent side walls **120** of each adjacent cross-member **410** each form side walls of the
10 utilicore **100**. A utilicore **100** is thus defined, being an elongate space extending along the length of the adjacent cross-members **410**, having a rectangular cross-section of width $2d$ and height h , as shown in **Figure 6**. In some example embodiments, specifically in embodiments wherein $2d = h$, the utilicore **100** has a substantially square cross-section.

15 In some example embodiments (not shown), the width $2d$ of the utilicore **100** is substantially the same as the width in the same direction of the column **430** and the cross-members **410** are positioned such that a utilicore **100** is substantially aligned with each column **430**. This permits the vaulted ceiling elements **450** to extend beyond and adjacent to the columns **430** to minimize shadows and accentuate the
20 impression of high, wide ceilings.

In some embodiments, the utilicores **100** extend along the floor/ceiling surface formed by the cross-members **410** at places in between the columns **430**.

Referring in particular to **Figure 7**, in some example embodiments, the utilicore **100** may be employed to provide an air diffusion system **730**, such as variable air volume
25 (VAV). In some example embodiments, air is forced laterally through the utilicore **100** by a central forced air supply **910** (**Figure 9**).

In some example embodiments, portions of a given utilicore **100** may be separated by one or more baffles **850** (**Figure 8**) extending either transversely or longitudinally relative to the utilicore **100**, and oriented vertically or horizontally, so that one portion
30 may be designated and configured for air flow in a direction opposite to that of another

portion. Such baffles **850** define air flow junctions (not shown) in the utilicore **100** or between utilicores **100** or both.

In some example embodiments, other air conditioning devices, such as humidity, electronic or air cleaning devices or humidifiers may be placed in utilicores **100**.

- 5 In some example embodiments, air temperature-controlled motorized dampers **1140** (**Figure 11**) may be positioned be placed at junctions of utilicores **100**, which may be activated by thermostats, to control and transfer heated or cooled air from one utilicore **100** to another, or at junctions of and beams **420** and columns **430** to substantially equalize the temperature in a building, to designate certain areas for specific
10 temperature conditions, or to re-circulate or exhaust the air as appropriate.

In some example embodiments, the lower extremities of the side walls **120** of adjacent modules **100** defining the utilicore **100** may be covered by at least one panel or ceiling tile **710** that serves to substantially inhibit uncontrolled downward flow of air being carried by the air diffusion system **730**. Such panels **710** may comprise suspended
15 acoustical ceiling tiles, gypsum board, or other suitable panel materials, which are fastened to the side walls **120** using methods well known in the art. The panels **710** may be attached to the underside of the distal end of the side walls **120** or to the sides of the distal ends of the side walls (not shown).

In some example embodiments, the air diffusion system **730** may comprise a
20 longitudinal trough **731** that extends partially or substantially along the length of the utilicore **100**. In some example embodiments, the trough **731** is open in a downward direction and feeds into a longitudinal gap **733** in the panel **710** to provide air communication between the utilicore **100** and the building space below the panel **710**. In some example embodiments, the trough **731** is tapered as it extends downwardly
25 toward the panel **710**. The trough **731** surrounds the gap **733** and channels flow of air through the gap **733**.

In some example embodiments, a series of VAV longitudinal dampers **732** aligned end to end substantially occupies the gap **733** in the panel **710** along the longitudinal length of the trough **731**. In some example embodiments, each of the dampers **732** is
30 movable between a closed position wherein air is substantially inhibited from escaping the utilicore **100** through the gap **733** and an open position wherein air is permitted to

escape the utilicore **100** through the gap **733** otherwise occupied by the damper **732**, for example, by deflating an air-filled bellows.

In some example embodiments, the movement of the dampers **732** between the open and closed positions is controlled mechanically or pneumatically. In some example
5 embodiments, such movement is controlled by an environmental sensor (not shown), which may in some example embodiments be a thermostat, to permit localized heating or cooling of an area through the introduction of warm or cool air through the opening when the damper **732** is in the open position.

In some example embodiments, a small fin **734** may be provided inside the air
10 diffusion system **730** to deflect air in multiple directions. In some example embodiments, the fin **734** may provide an attachment point for partition walls **735** in the building space below.

As may be better seen in **Figures 5** and **6**, and in particular **Figure 7**, in some example embodiments, the utilicore **100** may also be employed to hide from view
15 mechanical or electrical systems housed within the utilicore **100**. In some example embodiments, such mechanical systems may include a fire suppression system **740**, or at least one service utility conduit and junction/device box **750**, or any combination of any of these, in a variety of configurations, one non-limiting example of which is shown.

20 In some example embodiments, the fire suppression system **740** may comprise a longitudinal fire suppression pipe **741** that extends substantially along the length of the utilicore **100**. The fire suppression pipe **741** contains a supply, under pressure, of fire suppression material, which in some example embodiments may be water, foam, Halon™, other suitable substance or any combination of any of them. Periodically
25 along the length of the fire suppression pipe **741**, at least one subordinate pipe **742** may extend transversely outwardly from the fire suppression pipe **741** and extend substantially downwardly to engage a sprinkler head **743** disposed through the panel **710** to permit downward dispersal of the fire suppression material.

A wide variety of service utility conduits **750** may be mounted to, or wound through,
30 the utilicores **100** or both. Non-limiting examples of such service utility conduits **750** including electrical power cables, telephone cable, internet cables, natural gas lines,

plumbing supply pipes, plumbing return pipes, compressed air tubes, lab or industrial ventilation ducts, audio-video system cables, speaker cables, home or office automation cables, alarm system cables, conduits or trays for holding such cables, pipes and tubes or any combination of any of these. These conduits **750** serve to route such services around the building **400** in order to provide access throughout the building **400** to electrical, telecommunications, network communications, heating, cooling, plumbing, compressed air, ventilation, audio-video, automation, alarm capabilities and the like, where and as appropriate for use within the building spaces of each storey of the building **400**. Due to the large size of the utilicore **100**, these conduits **750** do not substantially impede the movement of air.

Radiant Heating and Cooling of Modules

The use of concrete as the primary construction component of the module **100** provides some advantages with regard to heating and cooling. Concrete is recognized as a material that has a high capacity to absorb and store heat and is one of the main contributors to the thermal mass of a building **400**. Thus, the concrete construction of the module **100** acts as energy storage batteries and as an integral thermal mass radiator.

Thermal mass is considered to be a measure of a building's ability to store, regulate and dissipate internal heat. A building with high thermal mass will heat up slowly, but concomitantly will cool down slowly as well. For purposes of energy conservation, this is considered advantageous because the building effectively acts like a heating / cooling battery in that it stores and releases heat slowly, moderating fluctuations in temperature. Thus, buildings **400** comprised of predominantly concrete, such as those constructed using the module **100**, have a high thermal mass, especially when compared to metal ductwork, steel structures or building envelopes composed of hollow concrete or brick or composed of wood or metal studs covered by drywall.

The ability of the concrete to absorb, retain and release the radiant heating and cooling within the utilicores **100**, to modify the ambient temperature within the utilicores **100**, and the ambient temperature within the entire building **400**, is at least in part due to the entire composite structure including the utilicores **100**, have a pre-finished bare concrete surface. This means that the concrete is the final surface throughout the

building **400**, providing an opportunity to substantially maximize the principle of thermal mass retention and release.

While thermal mass concrete is conventionally energized by passive means such as solar heating and daylight, the benefits of a high thermal mass concrete module **100** is increased by incorporating in the side walls **120**, continuous lengths of hollow pipe **130** for containing therein fluid at a temperature that is different from the ambient temperature of air flowing through a utilicore **100** defined by the module **100**, sufficient to radiate or to capture a desired amount of heat.

In some example embodiments, the pipe **130** may be $\frac{1}{2}$ inch, $\frac{3}{4}$ inch or 1 inch in diameter, typically composed of flexible plastic. In some example embodiments, the pipe **130** extends in a substantially serpentine pattern several times along the length of the module **110** in a substantially spaced-apart configuration throughout the side wall **120** of the module **110**.

In some example embodiments, the pipe **130** extends between a pair of inlet/outlet junctions **131** intersecting the side wall **120** of the module **110** at an end thereof. In some example embodiments, inlet/outlet junctions **131** of each module **110** are disposed toward a common end, or opposite ends of the longitudinal axis of the module **110**, or in some example embodiments, out of the interior side wall **221**.

In some example embodiments, the inlet/outlet junction **131** may comprise a spliced connection comprising a coupler secured by one or more compression rings and/or solder, a tap, a hose, a valve, or an externally threaded (male) connection and an internally threaded (female) connection.

The pipe **130** may be filled with fluid such as, by way of non-limiting example, water or glycol or any combination of any of these, which may be maintained and, may circulate through the pipe **130**, at a temperature that is different from the ambient temperature of the module **110**.

The provision of fluid through the pipes **130** of the module **100** at a temperature that differs from the ambient temperature of air flowing through a utilicore **100** defined by the module **110**, provides supplemental heating or cooling or both capability to the inherent thermal mass of the module **110**.

In the summer, heat energy absorbed by the side walls **120** of each module **110**, by way of non-limiting example, during the day, will tend to be moderated by the relatively cooler night temperature from the previous evening. This inherent summer cooling effect can be accentuated through the circulation of cooled fluid through the
5 pipe **130**.

In the winter, the walls **210**, **120** of the module **110** absorb and radiate heat, by way of non-limiting example, during the day. This inherent winter heating effect can be accentuated through the circulation of heated fluid through the pipe **130** in the side wall **120**, for example, by supplying the pipe **130** with fluid from a fluid circulation
10 resource **810** (**Figure 8**) such as, by way of non-limiting example, a hot water heater. As the ambient temperature cools, by way of non-limiting example, at night, the module **110** releases this heat internally (and to some extent externally) within the building **400** and moderates the cooling effect of the change in temperature.

Where the module **110** is employed in a ceiling/floor element **410** substantially as
15 described herein, in which utilicores **100** are defined between proximate side walls **120** of adjacent modules **110**, and where air is forced through such utilicores **100** to provide forced air heating or cooling or both to the building spaces below the vaulted ceiling element **450**, the inherent thermal mass capability of the module **110**, supplemented by the provision of fluid at a temperature different from the ambient
20 temperature of air flowing through a utilicore **100** defined by the module **110**, through the pipes **130** in the side walls **120**, tends to heat or cool, as the case may be, the air flowing substantially laterally through the utilicore **100** defined by the module **110**, which may dispense with, or in some example embodiments, substantially alleviate or supplement conventional heating / cooling load borne by an HVAC system (not shown).

25 The enclosure, in some example embodiments, of the pipes **130** entirely within the side walls **120** of the module **110**, including, without limitation, through pre-casting in mold **300** as described in relation to **Figure 3**, means that the inclusion of the pipes **130** does not have any substantial adverse structural, visual or other impact on the building **400**.

30 The use of moveable motorized baffles **1140** can help control the flow of air to the parts of the building **400** that may not otherwise be as well serviced. It can help move air from a part of a building **400** of one temperature to another part of the building

400 with a different temperature either by mechanical means or by the forces of natural ventilation as described herein.

Fluid Circulation Loop(s)

As may be better seen in **Figure 8**, in some example embodiments, the fluid, flowing through pipes **130** in the modules **110**, at a temperature that is different from the ambient temperature of air flowing through a utilicore **100** defined by the module **110**, may be circulated throughout the building **400** in one or more fluid circulation loops. In some example embodiments, a fluid circulation loop may comprise the following:

Fluid may be supplied by a fluid source **811** such as a reservoir or tank and circulated along the at least one fluid circulation loop by a circulator **812** such as a pump (not shown). The fluid source **811** may be located in one central location in the building **400** or there may be many smaller fluid sources **811** throughout the building **400**. In some example embodiments, the fluid may be set or maintained or both at a temperature that is different from the ambient temperature of the module **110** by a heating/cooling plant **813** such as a conventional oil, natural gas or electric hot water tank, boiler, inline or tankless water heater, solar panel for heating a coil of fluid, air conditioning unit, refrigeration unit, heat pump, geothermal heat pump for pumping relatively warmer fluid from beneath the earth's surface during the winter and relatively cooler fluid during the summer, or any combination of any of these. When solar, geothermal or other renewable technology is used as the heating/cooling plant **813**, the pipe **130** in at least one side wall **120** of the module **110** serving as a utilicore **100** provides a renewable or "green" energy distribution system.

In some example embodiments, the fluid source **811**, circulator **812**, heating/cooling plant **813** (collectively shown as fluid circulation resource **810**) or any combination of any of them may form part of a common element, such as, by way of non-limiting example, a hot water tank. In some example embodiments, the fluid source **811**, circulator **812**, heating/cooling plant **813** or any combination of any of them may be commonly located, or in proximity to one another, at one or more convenient locations in, throughout or proximate to the building **400**, such as, by way of non-limiting example, a boiler room in a basement or on a roof.

The fluid may be provided to an inlet junction **131**, of at least one pipe **130** in at least one module **110** defining at least one utilicore **100** of at least one storey of the building **400**, by a supply pipe or series of supply pipes **840** in fluid connection with the fluid circulation resource **810**. At each inlet junction **131**, there may be a valve
5 which is controlled by a thermostat to regulate the amount of fluid being supplied to the utilicore.

In some example embodiments, such supply pipes **840** may extend substantially vertically upward through at least one vertical air passageway **830** in at least one column **430** from a storey on which the fluid circulation resource **810** is located to the
10 storey on which the at least one utilicore **100** is situated. In some example embodiments, such supply pipes **840** may extend through a vertical air passageway **830**. Thus, such supply pipes **840** are effectively hidden from view.

In some example embodiments, such supply pipes **840** may extend substantially horizontally along a given storey, which may be the storey on which the fluid
15 circulation resource **810** is located or the storey on which the at least one utilicore **100** is situated, through at least one horizontal air passageway **820** in at least one beam **420** associated with such storey. Thus, such supply pipes **840** are effectively hidden from view.

In some example embodiments, such supply pipes **840** may be mounted outside of the
20 beam **420**. If such supply pipes **840** are located just above the level of the floor as shown in Figure 8, they may provide supplementary heating or cooling to occupants of the building **400** if constrained in a baseboard or other radiator housing **841** and configured (such as, by way of non-limiting example, forming into additional vertically disposed coils and locating them along a floor or wall baseboard) so as to act as a
25 baseboard or radiator heating/cooling element.

The fluid emanating from an outlet junction **131** of at least one pipe **130** in at least one module **110** defining at least one utilicore **100** of at least one storey of the building **400** may be provided to a return pipe or series of return pipes **842** in fluid connection with the fluid circulation resource **810**.

30 In some example embodiments, such return pipes **842** may extend substantially vertically downward through at least one vertical air passageway **830** in at least one

column **430** from a storey on which the at least one utilicore **100** is situated to the storey on which the fluid circulation resource **810** is located. Thus, such return fluid pipes **842** are effectively hidden from view.

5 In some example embodiments, the supply and return fluid pipes **840**, **842** are placed along the outside perimeter of each floor, providing the primary distribution of piped fluids to all modules **110** and providing an automatic baseboard **841** heating and cooling capability at a major source of heating and cooling loss in a building **400**. The radiant heating / cooling provides a substantially even distribution of piped fluids to all utilicores **100** to provide a more controlled temperature throughout the building **400**.

10 In some example embodiments, such return pipes **842** may extend substantially horizontally along a given storey, which may be the storey on which the at least one utilicore **100** is situated or the storey on which the fluid circulation resource **810** is located, through at least one horizontal air passageway **820** in at least one beam **420** associated with such storey. Thus, such return pipes **842** are effectively hidden from
15 view.

Such supply pipes **840**, return pipes **842**, baseboard elements **841** or any combination of any of them may be comprised of fixed tubing, flexible tubing or any combination of any of them.

20 In some example embodiments, a plurality of fluid circulation loops may be employed for different storeys or wings of building **400** or portions thereof for improved responsiveness, energy conservation or to isolate the fluid supply of a portion of the building **400** from the fluid supply **811** of another portion of the building **400** to prevent cross-contamination or to support separate billing for HVAC services. Such flexibility in configuration may be achieved by judicious placement and configuration of
25 the fluid connections (by way of non-limiting examples, tees, Y-junctions, and manifolds) between and within utilicores **100**, supply pipes **840**, return pipes **842** or any combination of any of them and taking advantage of the multiplicity of available utilicores **100**, columns **430** and associated vertical air passageways **830** or portions thereof contained therein, beams **420** and associated horizontal air passageways **820**
30 or portions thereof contained therein or any combination of any of them.

Because the fluid is substantially constantly circulated by the circulator **812**, most of the fluid will be, at any given time, moving through the pipes **130**, supply pipes **840** and return pipes **842**. As such, only a small fluid source **811** may be called for.

Further, the speed of travel of the fluid through the fluid circulation loop(s) may be relatively low as heat is transferred using a temperature differential between the ambient temperature of air flowing through a utilicore **100** defined by the module **110** and the fluid. As such, a relatively low capacity circulator **812** may be called for. Still further, the temperature differential between the ambient temperature of air flowing through a utilicore **100** defined by the module **110** and the fluid may be substantially only a few degrees. As such, a relatively small heating/cooling plant **813** may be called for. Indeed, if supply and return pipes **840**, **842** include a number of coils that are configured to attract solar energy (by way of non-limiting example, roof-mounted or exterior wall-mounted coils) or a geo-thermal source, little or no supplementary heating by a conventional heating/cooling plant **813** may be called for.

In some embodiments, heating or cooling or both of the fluid circulated within the pipes **130** of modules **110** employed in the construction of a building **400** may take advantage of passive solar heating by locating the supply or return pipe **840**, **842** along at least one exterior or exposed face of the building **400** that has consistent sun exposure. Thus, by merely maintaining circulation of the fluid, radiant heating or cooling (depending upon the season) may be supplied to interior building spaces in a highly economical manner. Within the zone between every column, passive solar heating can be managed effectively.

Forced Air Circulation Loop(s)

With reference now to **Figure 9**, just as fluid flowing through the pipes **130** in the modules **110** defining utilicores **100** may form part of one or more fluid circulation loops within the building **400**, in some example embodiments, air may be supplied to and drawn through and from the utilicores **100** along one or more air circulation loops.

In some example embodiments, each of these air circulation loops comprises at least one air flow path extending longitudinally through at least one utilicore **100** that is substantially horizontal and aligned with at least one module **110** configured as a

cross-member **410**. In some example embodiments, a plurality of such lateral utilicores **100** may form part of a common air circulation loop.

In some example embodiments, the lateral flow of air through a plurality of such utilicores **100** may be configured to be in the same direction. In some example
5 embodiments, the lateral flow of air may be configured to be in opposite directions. In some example embodiments, certain of such utilicores **100** may be designated and configured as supply passages while other of such utilicores **100** may be designated and configured as return passages. In some example embodiments, the lateral flow of air through utilicores **100** designated and configured as supply passages may be in the
10 same direction. In some example embodiments, the lateral flow of air through utilicores **100** designated and configured as return passages may be in the same direction.

In some example embodiments, air may be supplied to such lateral utilicores **100** through at least one aperture **821** interconnecting the utilicore **100** with a horizontal
15 air passageway **820** extending within at least one of the beams **420** supporting the ceiling/floor elements **410** defining the utilicore **100**. In some example embodiments, the horizontal air passageway **820** may be substantially the entirety of the interior of the beam **420**, if the beam **420** is closed, or a tube or duct **1021** (shown in dashed outline in **Figure 10**) extending along the interior or exterior of the beam **420**.

20 In some example embodiments, the horizontal flow of air through horizontal air passageways **820** designated and configured as supply passages may be in the same direction. In some example embodiments, the horizontal flow of air through horizontal air passageways **820** designated and configured as return passages may be in the same direction.

25 In some example embodiments, certain horizontal air passageways **820** may be designated and configured as supply passages while other horizontal air passageways **820** may be designated and configured as return passages, as shown by way of non-limiting example in **Figure 9** and described in greater detail below.

In some example embodiments, air may be supplied to the horizontal air passageway
30 **820** through at least one aperture **831** interconnecting it with a vertical air passageway **830** extending within at least one of the columns **430** supporting the

beam **420**. In some example embodiments, the vertical air passageway **830** may be substantially the entirety of the interior of the column **430**.

In some example embodiments, certain vertical air passageways **830** may be designated and configured as supply passages while other vertical air passageways **830** may be designated and configured as return passages, as shown by way of non-limiting example in **Figure 9** and described in greater detail below.

In some example embodiments, the vertical flow of air through vertical air passageways **830** designated and configured as supply passages may be in the same direction. In some example embodiments, the vertical flow of air through vertical air passageways **830** designated and configured as return passages may be in the same direction.

In some example embodiments, the fire suppression material may be supplied to the fire suppression pipe **741** for a given utilicore **100** by at least one supplementary fire suppression pipe (not shown) extending along a given horizontal air passageway **820** or vertical air passageway **830** or both in fluid connection with the fire suppression pipe **741**, allowing the fire suppression material in each utilicore **100** to be commonly sourced within the building **400**.

In some example embodiments, conduits **750** for a given utilicore **100** may be supplied by at least one associated conduit (not shown) mounted to or wound through a given horizontal air passageway **820** or vertical air passageway **830** or both, in communication with the conduit **750**, allowing the conduit **750** in each utilicore **100** to be commonly sourced within the building **400** and to obscure such conduits from view.

In some example embodiments, a horizontal air passageway **820** may be in communication with a utilicore **100**, a vertical air passageway **830**, another horizontal air passageway **820** (by way of non-limiting example, where the horizontal air passageways **820** are aligned end-to-end), and an air supply **910** or any combination of any of them.

In some example embodiments, a vertical air passage **830** may be in communication with a utilicore **100**, another vertical air passageway **830** (by way of non-limiting

example, where the vertical air passageways **830** are aligned end-to-end), a horizontal air passageway **820**, air supply **910**, or any combination of any of them.

Using the network of air circulation loops, each comprising one or more of one or more utilicores **100** associated with cross-members **410**, one or more horizontal air passages **820**, and one or more vertical air passages **830**, as described herein, air flow may be provided in a desired predetermined arrangement from air supply **910** to virtually any location of the building **400** with substantial precision, in some example embodiments, as follows:

Air may be drawn into the building **400** through the roof-mounted air supply **910**. The drawn-in air may be circulated substantially vertically downward along at least one supply vertical air passageway **830**. Air supplied in at least one supply vertical air passageway **830** may be circulated substantially horizontally to at least one supply horizontal air passageway **820** on at least one storey of the building **400**. Air supplied in at least one supply horizontal air passageway **820** may be circulated substantially horizontally to at least one supply utilicore **100** on the same storey of the building **400** for distribution to the associated building space below it through diffusers **730**.

Further, in some example embodiments, air may be drawn up from the building space into an air return (not shown) in a return passageway, which may be a utilicore **100**, a horizontal air passageway **820**, a vertical air passageway **830** or any combination of any of them. Air collected in at least one return utilicore **100** may be circulated substantially horizontally to at least one associated return horizontal air passageway **820** for the same storey of the building **400**. Air collected in at least one return horizontal air passageway **820** may be circulated substantially horizontally to at least one associated return vertical air passageway **830**. Air collected in at least one return vertical air passageway **830** on at least one storey of the building **400** may be circulated substantially vertically upward to the roof-mounted air supply **910** or vented or both.

In some example embodiments, a plurality of air circulation loops may be employed for different storeys or wings of building **400** or portions thereof for improved responsiveness, energy conservation or to isolate the air supply of a portion of the building space from the air supply of another portion of the building space to prevent cross-contamination or to support separate billing for HVAC services or to move air

from the warmer side of the building to the cooler side or vice-versa. Such flexibility in configuration may be achieved by judicious placement and configuration of the baffles **1140** between and within utilicores **100**, horizontal air passageways **820**, vertical air passageways **830** or any combination of any of them and taking advantage of the
5 multiplicity of available utilicores **100**, horizontal air passageways **820** or portions thereof, vertical air passageways **830** or portions thereof or any combination of any of them.

The location of such baffles **1140** define air flow junctions in the passageway **820**, **830** or between passageways **820**, **830** or both. In some example embodiments,
10 such baffles **1140** may be movable under motor control.

Because the volume of air that may occupy the utilicore **100** is large in relation to the volume of air that may occupy a conventional air duct, the velocity of air travelling longitudinally along the utilicore **100** may be reduced. Coupled with the fact that the air is travelling along a substantially thick, rigid concrete surface, as opposed to the
15 substantially thin, flexible sheet metal surface of a conventional duct, there may be a substantial reduction in noise associated with the heating/cooling function.

Using Modules as Beams

In some example embodiments, in addition to its role as the primary heating and cooling source, with its embedded radiant heating / cooling pipes **130**, to form a
20 complete heating and cooling system for the entire building, referring to **Figures 8, 9, 11** and particularly **Figure 10**, a U-shaped module may be oriented such that its longitudinal axis is substantially horizontally oriented with the main wall **210** positioned above and resting upon the side walls **120** to form a horizontal beam **1020**. The air is heated and cooled within the full length of every module **110** used as a beam **1020** in
25 some example embodiments, to provide additional heating and cooling.

In some example embodiments, the distal ends of side walls **120** of modules **110** used as beams **1020** may be covered to form a hollow beam **1020** to permit the transport of air through it as part of the HVAC system employed in the building **400**. In such
30 situation, the interior of module serves as horizontal air passageway **820**. Such air may be passed between beam **1020** and a vertical air passageway **830** in a supporting column **430** through aperture **831** in column **430** in a surface separating them and

between beam **1020** and a utilicore **100** through aperture **821** in a surface separating them.

In some example embodiments, the distal ends of side walls **120** mate with exposed ends of side walls **120** of a second module. In some example embodiments, aperture
5 **821** may be situated within one of the modules.

In some example embodiments, the distal ends of side walls **120** are covered by a panel **1022**. In some example embodiments, the panel **1022** is composed of suspended acoustical ceiling tiles, gypsum board, or other suitable panel materials, which are fastened to the side walls **120** using methods well known in the art.

10 In some example embodiments, the dimensions of modules employed as beams **1020** may be different than those used as cross-elements **410**. By way of non-limiting example, a module employed as a beam **1020** may have a main wall **210** width w with a multiple n of 2, a height h of side walls **120** with a multiple p of 1. In some
15 example embodiments, the length l of utilicores **100** used as beams **1020** may be substantially about $8M$ (6.4 metres) or $12M$ (9.6 metres) to coordinate with the dimensions of the cross-members **410**.

The large cross-sectional size of the beams **1020** facilitate movement of large amounts of air from one part of the building **400** to another, in accordance with demand within the building **400**, or due to the orientation of the building **400**. For example, it may
20 be desirable to move air between the north side of the building **400** and the south side, in order to equalize temperature disparities because of sun exposure.

In some example embodiments, such beams **1020** comprising modules may employ at least one of the associated pipes **130** as a supply pipe **840**, return pipe **842**, or any combination of any of them. In addition to substantially obscuring such supply pipes
25 **840** or return pipes **842** from view, employing at least one of the pipes **130** in this manner may dispense with the provision of separate supply pipes **840** and return pipes **842** and may provide supplementary radiant heating / cooling capability to the associated air circulation loop while the air is being delivered to or returned from the utilicore **100** through the beam **1020** and columns **430**.

30 Using Modules as Columns

In some example embodiments, in addition to its role as the primary heating and cooling source, with its embedded radiant heating / cooling pipes **130**, to form a complete heating and cooling system for the building, referring to **Figures 8, 9, 11** and particularly **Figure 10**, in some example embodiments, a U-shaped module may be oriented such that its longitudinal axis is substantially vertically oriented with a bottom end of the main wall **210** and side walls **120** abutting against a horizontal floor surface (which, in some example embodiments, may be a floor composed of cross-members **410**) to form a column **1030**.

In some example embodiments, the distal ends of side walls **120** of modules used as columns **1030** may be covered to form a hollow column **1030** to permit the transport of air through it as part of the HVAC system employed in the building **400**. In such situation, the interior of module serves as vertical air passageway **830**. Such air may be passed between column **1030** and a horizontal air passageway **820** in a beam **420**, **1020** supported thereon through aperture **831** in column **1030** in a surface separating them.

In such a configuration, the air is heated and cooled within the full length of every module used as a column **1030** in some example embodiments to provide additional heating and cooling.

In some example embodiments, the distal ends of side walls **120** mate with exposed ends of side walls **120** of a second module. In some example embodiments, aperture **831** may be situated within one of the modules.

In some example embodiments, the distal ends of side walls **120** are covered by a panel **1032**, which may be structural or non-structural. In some example embodiments, the panel **1032** is composed of metal studs and gypsum board, or other suitable panel materials. In some example embodiments, aperture **831** may be situated within the panel **1032**. In some example embodiments, the panel **1032** may be replaced by at least one access panel or door to provide access to building service utilities, which may extend from floor to floor through at least one column **1030** or otherwise to provide a storage or other closet facility.

In some example embodiments, the dimensions of modules employed as columns **1030** may be different from those used as cross-elements **410** or beams **1020** or any

combination of any of them. By way of non-limiting example, a module employed as a column **1030** may have a main wall **210** width w with a multiple n of 2, a height h of side walls **120** with a multiple P of 0.5 (if the column **1030** employs two facing modules) or 1 (if the column **1030** remains open-ended or is covered by a panel **1032**).

The large cross-sectional size of the columns **1030** facilitate movement of large amounts of air from one part of the building **400** to another, in accordance with demand within the building **400**, or due to the orientation of the building **400**. For example, it may be desirable to move air between the north side of the building **400** and the south side, in order to equalize temperature disparities because of sun exposure.

In some example embodiments, the length l of the module employed as a column **1030** may substantially correspond to a number q of commercial stories S . In some example embodiments, for typical North American commercial construction, a storey may be considered to be substantially 12 feet in height.

In some example embodiments, the contact positions of facing modules, or module and panel **1032** pairs may be substantially sealed by a grout or other suitable gap sealing compound (not shown).

In some example embodiments, such columns **1030** comprising modules may employ at least one of the associated pipes **130** as a supply pipe **840**, return pipe **842** or any combination of any of them. In addition to substantially obscuring such supply **840** or return pipes **842** from view, employing at least one of the pipes **130** in this manner may dispense with the provision of separate supply pipes **840** and return pipes **842** and may provide supplementary radiant heating / cooling capability to the associated air circulation loop while the air is being delivered to or returned from the utilicore **100** through the column **1030**.

Employing the Chimney Effect

Turning now to **Figure 12**, there is shown an example embodiment of a building **1200** employing modules **110** to form cross-elements **410** and U-shaped modules as beams

1120 and columns **1130**, but substantially dispensing with operational use of the air supply **910** by employing the chimney effect.

The chimney effect is caused by the principle that hot air rises, and the higher the column, the greater the chimney effect or flow of air in the column. As air is drawn up
5 a column by the chimney effect, it is able to draw air from adjacent parts of the building. The chimney effect is well known to those skilled in the art to encourage natural ventilation and infiltration.

In some example embodiments, vertically extending structures or chimneys **1210** are established at interior / exterior boundaries **1220** of the building **1200**, such as
10 exterior walls of the building **1200**. Additional exterior boundaries **1220** may be introduced by designing open-air or lightly enclosed interior spaces, such as atriums **1230**. Such atriums **1230** may also be used to condition air or assist in moving air from one part of the building **1200** to another.

In the context of the present disclosure, such chimneys **1210** are comprised of
15 columns **1030**. In some example embodiments, multiple columns **1030** may be provided, by way of non-limiting example, through the establishment of baffles **1140**, such that a return passageway **830** lies adjacent the exterior boundary **1220** and between such boundary **1220** and a supply passageway **830**. The supply passageways **830** exhaust at the bottom of the building **1200** into the return
20 passageways **830** and the return passageways **830** exhaust at the top of the building **1200** to the exterior. In some example embodiments, additional chimneys, such as by additional columns **1030**, are created in the interior of the building **1200**.

With such a structure, initial mechanical assistance to commence and in some example embodiments to supplement, on an ongoing basis, the flow of air through the air
25 circulation loops is provided through air supply **910**.

Air may also be exhausted from the building **1200** through the chimneys **1210** by mechanical means or natural ventilation. In some example embodiments, fresh air or re-circulated air may also be passed through a double-skin glazed cavity wall **1240** on
30 the exterior of the building **1200** where it may be warmed by solar radiation during winter and conditioned by planting materials (called a "green wall"). Conversely, in summer, solar radiation may be captured in the cavity and exhausted before it heats

the interior spaces of the building **1200**, thus reducing the demand for air conditioning/cooling.

It will be apparent that various modifications and variations may be made to the embodiments disclosed herein, consistent with the present disclosure, without
5 departing from the spirit and scope of the present disclosure.

In the foregoing disclosure, for purposes of explanation and not limitation, specific details are set forth such as particular architectures, interfaces, techniques, etc. in order to provide a thorough understanding of the present disclosure.

While example embodiments are disclosed, this is not intended to be limiting. Rather,
10 the general principles set forth herein are considered to be merely illustrative of the scope of the present disclosure and it is to be further understood that numerous changes covering alternatives, modifications and equivalents may be made without straying from the scope of the present disclosure, as defined by the appended claims.

For example, the various elements or components may be combined or integrated in
15 another system or certain features may be omitted, or not implemented. Also, techniques, systems, subsystems and methods described and illustrated in the various embodiments as discrete or separate may be combined or integrated with other systems, modules, techniques, or methods without departing from the scope of the present disclosure. Other examples of changes, substitutions, and alterations are
20 easily ascertainable and could be made without departing from the spirit and scope disclosed herein.

In particular, features from one or more of the above-described embodiments may be selected to create alternative embodiments comprised of a sub-combination of features which may not be explicitly described above. In addition, features from one or more of
25 the above-described embodiments may be selected and combined to create alternative embodiments comprised of a combination of features which may not be explicitly described above. Features suitable for such combinations and sub-combinations would be readily apparent to persons skilled in the art upon review of the present application as a whole. The subject matter described herein and in the recited claims intends to
30 cover and embrace all suitable changes in technology.

In some instances, detailed descriptions of well-known devices, circuits, and methods are omitted so as not to obscure the description of the present disclosure with unnecessary detail. All statements herein reciting principles, aspects and embodiments of the disclosure, as well as specific examples thereof, are intended to encompass both structural and functional equivalents thereof. Additionally, it is intended that such equivalents include both currently known equivalents as well as equivalents developed in the future, *i.e.*, any elements developed that perform the same function, regardless of structure.

Thus, for example, it will be appreciated that block diagrams reproduced herein can represent conceptual views of illustrative components embodying the principles of the technology.

While the present disclosure is sometimes described in terms of methods, a person of ordinary skill in the art will understand that the present disclosure is also directed to various apparatus including components for performing at least some of the aspects and features of the described methods, be it by way of hardware components, software or any combination of the two, or in any other manner.

Certain terms are used throughout to refer to particular components. Manufacturers may refer to a component by different names. Use of a particular term or name is not intended to distinguish between components that differ in name but not in function.

The terms "including" and "comprising" are used in an open-ended fashion, and thus should be interpreted to mean "including, but not limited to". The terms "example" and "exemplary" are used simply to identify instances for illustrative purposes and should not be interpreted as limiting the scope of the invention to the stated instances. In particular, the term "exemplary" should not be interpreted to denote or confer any laudatory, beneficial or other quality to the expression with which it is used, whether in terms of design, performance or otherwise.

Directional terms such as "upward", "downward", "left" and "right" are used to refer to directions in the drawings to which reference is made unless otherwise stated. Similarly, words such as "inward" and "outward" are used to refer to directions toward and away from, respectively, the geometric center of a device, area or volume or

5 designated parts thereof. Moreover, all dimensions described herein are intended solely to be by way of example for purposes of illustrating certain embodiments and are not intended to limit the scope of the disclosure to any embodiments that may depart from such dimensions as may be specified.

10 The terms "couple" or "communicate" in any form are intended to mean either a direct connection or indirect connection through some interface, device, intermediate component or connection, whether electrically, mechanically, chemically, or otherwise.

References in the singular form include the plural and *vice versa*, unless otherwise noted.

15 The purpose of the Abstract is to enable the relevant patent office or the public generally, skill in the art who are not familiar with patent or legal terms or phraseology, to quickly determine from a cursory inspection the nature of the technical disclosure. The Abstract is neither intended to define the scope of this disclosure, which is measured by its claims, nor is it intended to be limiting as to the scope of this disclosure in any way.

20 In accordance with a first broad aspect of an embodiment of the present disclosure there is provided an elongate monolithic building construction module having a substantially planar main wall and at least one side wall extending substantially parallel to a longitudinal axis, the at least one side wall comprised of a poured high thermal mass material and having at least one pipe embedded therewithin during a pouring
25 process, the at least one side wall forming at least a respective portion of a first element in juxtaposed orientation with a second element to define a utilicore channel unbounded along one side for substantially directing air flowing longitudinally therethrough, the at least one pipe for circulating a fluid throughout the at least one side wall at a temperature that is different from an ambient temperature of the air
30 flowing through the utilicore, for effecting heat transfer through the at least one wall between the fluid in the at least one pipe and the air flowing through the utilicore.

In some example embodiments, the longitudinal axis may be substantially parallel to the main wall, the at least one side wall comprising two spaced-apart side walls, each terminating at a common surface of the main wall and the at least one side wall of the
35 module terminates at the main wall of such module at a point intermediate between

5 respective sides of the main wall, to define a wing of the main wall extending between
a proximate side of the main wall and the side wall, the wing forming at least part of
the portion of one of the elements defining a utilicore.

In accordance with a second broad aspect of an embodiment of the present disclosure
there is provided a storey-defining structure for a building comprising a plurality of the
10 at least one of the poured construction modules described above, each module
supported at at least two points by a support structure, each module being oriented
such that distal ends of the side walls thereof engage the support structure, the at
least one side wall and the main wall defining an elongate arch, the modules being
juxtaposed in parallel relation to define at least one elongate utilicore between the
15 arches, the support structure comprising at least one substantially horizontal beam
supporting the modules at one of the at least two points, each beam being supported
at at least two points by a column, wherein the beam is formed of at least one of the
construction modules described above, wherein at least one of the pipes in the beam is
in fluid communication with at least one pipe in a module supported on the beam in
20 juxtaposed relation to define the utilicore.

In some example embodiments, the at least one beam has a substantially horizontal
air passageway associated therewith and extending therewithin and in communication
with the utilicore to facilitate the flow of air therethrough. Such horizontal air
passageway may comprise an interior chamber of the beam or be secured to the beam
25 or both and is in communication with at least one of a utilicore, another horizontal air
passageway, a substantially vertical air passageway and an air supply through an
aperture formed therewithin at a point of intersection therebetween.

In some example embodiments, the support structure may comprise at least one
substantially vertical column supporting at least one of the horizontal beams at one of
30 the at least two points thereof.

In some example embodiments, such column is formed of at least one of the
construction modules described above wherein at least one of the pipes in the beam is
in fluid communication with at least one pipe in a module, supported on a beam
supported by the column, in juxtaposed relation to define the utilicore.

5 In accordance with a third broad aspect of an embodiment of the present disclosure
there is provided a storey-defining structure for a building comprising a plurality of the
at least one of the poured construction modules described above, each module
supported at at least two points by a support structure, each module being oriented
such that distal ends of the side walls thereof engage the support structure, the at
10 least one side wall and the main wall defining an elongate arch, the modules being
juxtaposed in parallel relation to define at least one elongate utilicore between the
arches, the support structure comprising at least one substantially horizontal beam
supporting the modules at one of the at least two points, and at least one substantially
15 vertical column supporting at least one of the horizontal beams at one of the at least
two points thereof, wherein the column is formed of at least one of the construction
modules described above, wherein at least one of the pipes in the column is in fluid
communication with at least one pipe in a module supported on a beam supported by
the column in juxtaposed relation to define the utilicore.

In some example embodiments, the at least one column has a substantially vertical air
20 passageway associated therewith and in communication with a utilicore supported on a
beam supported by the column, to facilitate the flow of air therethrough. Such vertical
air passageway may comprise an interior chamber of the column or be secured to the
column or both and is in communication with at least one of a utilicore, a horizontal air
passageway, another vertical air passageway and an air supply through an aperture
25 formed therewithin at a point of intersection therebetween.

In some example embodiments, the vertical air passageway exhausts proximate to a
top end thereof to the exterior to facilitate creation of a chimney effect to promote air
flow through the utilicores. This may be facilitated by positioning the vertical air
passageway proximate to an exterior / interior boundary of the structure.

30 In some example embodiments, the utilicore may house at least one mechanical
system, which may be an electrical power cable, telephone cable, internet cable,
natural gas line, plumbing supply pipe, plumbing return pipe, compressed air tube, lab
or industrial ventilation duct, audio-video system cable, speaker cable, home or office
automation cable, alarm system cable, conduit for holding such cables, fire suppression
35 system and any combination of any of these.

5 In some example embodiments, the structure may comprise at least one lighting element secured to a side wall of at least one module for directing light upward against the elongate arch to provide downward illumination by diffuse reflection.

In accordance with a fourth broad aspect of an embodiment of the present disclosure there is provided use of a plurality of poured construction modules in a storey-defining
10 structure, each module supported at at least two points by a support structure, each module being oriented such that distal ends of the side walls thereof engage the support structure, at least one side wall and a main wall of a module defining an elongate arch, the modules being juxtaposed in parallel relation to define at least one elongate utilicore between the arches.

15 In some example embodiments, the support structure comprises at least one substantially horizontal beam supporting the modules at one of the at least two points, each beam being supported at at least two points by a column, wherein the beam is formed of at least one of the modules.

In some example embodiments, the support structure comprises at least one
20 substantially vertical column supporting at least one of the horizontal beams at one of the at least two points thereof, wherein the column is formed of at least one of the modules.

In accordance with a fifth broad aspect of an embodiment of the present disclosure there is provided a utilicore for substantially directing air flowing longitudinally
25 therethrough, the utilicore defining a channel unbounded along one side and having at least one wall comprised of a poured high thermal mass material with at least one pipe embedded therein during a pouring process, the at least one pipe for circulating a fluid throughout the at least one wall at a temperature that is different from an ambient temperature of the air flowing through the utilicore, for effecting heat transfer through
30 the at least one wall between the fluid in the at least one pipe and the air flowing through the utilicore.

In some example embodiments, the utilicore may comprise at least a respective portion of first and second elements, at least one of which comprising the at least one wall, in juxtaposed orientation to substantially contain air flow therewithin. In some
35 example embodiments, the utilicore may comprise at least one panel for substantially

5 covering an unbounded side of the channel and containing air flowing therewithin to a longitudinal air passage. Such panel may comprise at least one gap for permitting air flowing along the utilicore to escape therefrom. In some example embodiments, the utilicore may comprise a trough to surround the gap and to channel air flow through the gap, at least one damper movable between an open position in which air may
10 escape the utilicore through the gap and a closed position in which air may be substantially inhibited from escaping the utilicore therethrough. Such damper may be movable between the open and closed positions under motor control, under direction of an environmental sensor.

In some example embodiments, the channel is defined substantially solely by the
15 poured high thermal mass material.

In some example embodiments, the high thermal mass material may be concrete and the fluid may be water or glycol or both. Such fluid may be at a temperature that is higher than an ambient temperature of the air flowing through the utilicore such that heat transfer is effected to raise the temperature of the air flowing through the
20 utilicore. On the other hand, such fluid may be at a temperature that is lower than an ambient temperature of the air flowing through the utilicore such that heat transfer is effected to lower the temperature of the air flowing through the utilicore.

In some example embodiments, a ratio of a cross-sectional area of the channel and of a cross-sectional area of the at least one pipe is substantially in excess of 100 or in
25 some example embodiments, 1000.

In some example embodiments, the at least one pipe is supplied with fluid by a fluid resource in fluid communication therewith such that fluid from the at least one pipe is returned to the fluid resource. The fluid resource may comprise a fluid source in fluid communication with the at least one pipe, a circulator in fluid communication with the
30 at least one pipe, a heating / cooling plant for bringing fluid supplied to the at least one pipe to a temperature that is different from an ambient temperature of the air flowing through the utilicore or any combination of any of them. Thus, the at least one pipe and the fluid resource may comprise a fluid circulation loop.

In some example embodiments, the air flowing through the utilicore may be in
35 communication with an air supply for forcing air through the utilicore through at least

5 one air passageway, where the utilicore, the air supply and the at least one air
passageway comprise an air circulation loop. Other embodiments consistent with the
present disclosure will be apparent from consideration of the specification and the
practice of the disclosure disclosed herein. Accordingly the specification and the
embodiments disclosed therein are to be considered examples only, with a true scope
10 and spirit of the disclosure being disclosed by the following numbered claims:

WHAT IS CLAIMED IS:

1. An elongate monolithic building construction module having a substantially planar main wall and at least one side wall extending substantially parallel to a longitudinal axis, the at least one side wall comprised of a poured high thermal mass material and having at least one pipe embedded therewithin during a pouring process, the at least one side wall forming at least a respective portion of a first element in juxtaposed orientation with a second element to define a utilicore channel unbounded along one side for substantially directing air flowing longitudinally therethrough, the at least one pipe for circulating a fluid throughout the at least one side wall at a temperature that is different from an ambient temperature of the air flowing through the utilicore, for effecting heat transfer through the at least one wall between the fluid in the at least one pipe and the air flowing through the utilicore.
2. The module according to claim 1, wherein the longitudinal axis is substantially parallel to the main wall.
3. The module according to claim 1 or claim 2, the at least one side wall comprising two spaced-apart side walls, each terminating at a common surface of the main wall.
4. The module according to any one of claims 1 through 3, wherein the at least one side wall of the module terminates at the main wall of such module at a point intermediate between respective sides of the main wall, to define a wing of the main wall extending between a proximate side of the main wall and the side wall, the wing forming at least part of the portion of one of the elements defining a utilicore.
5. A storey-defining structure for a building comprising a plurality of the at least one of the poured construction modules according to any one of claims 1 through 4, each module supported at at least two points by a support structure, each module being oriented such that distal ends of the side walls thereof engage the support structure, the at least one side wall and the main wall defining an elongate arch, the modules being juxtaposed in parallel relation to define at least one elongate utilicore between the arches, the support structure comprising at least one substantially horizontal beam supporting the modules at one of the at least two points, each beam being supported at at least two points by a column, wherein the beam is formed of at least one of the construction modules according to any one of claims 1 through 4,

wherein at least one of the pipes in the beam is in fluid communication with at least one pipe in a module supported on the beam in juxtaposed relation to define the utilicore.

6. The structure according to claim 5, wherein the beam has a substantially horizontal air passageway associated therewith and in communication with the utilicore to facilitate the flow of air therethrough.

7. The structure according to claim 6, wherein the horizontal air passageway extends within the beam.

8. The structure according to claim 7, wherein the horizontal air passageway comprises an interior chamber of the beam.

9. The structure according to any one of claims 6 through 8, wherein the horizontal air passageway is secured to the beam.

10. The structure according to any one of claims 6 through 9, wherein the horizontal air passageway is in communication with at least one of a utilicore, another horizontal air passageway, a substantially vertical air passageway and an air supply.

11. The structure according to claim 10, wherein an aperture is formed in at least one of the horizontal air passageway and at least one of the utilicore, the other horizontal air passageway, the vertical air passageway and the air supply in communication therewith, at a point of intersection therebetween.

12. The structure according to any one of claims 5 through 11, wherein the support structure comprises at least one substantially vertical column supporting at least one of the horizontal beams at one of the at least two points thereof.

13. The structure according to claim 12, wherein the column is formed of at least one of the construction modules according to any one of claims 1 through 4.

14. The structure according to claim 13, wherein at least one of the pipes in the column is in fluid communication with at least one pipe in a module, supported on a beam supported by the column, in juxtaposed relation to define the utilicore.

15. A storey-defining structure for a building comprising a plurality of the at least one of the poured construction modules according to any one of claims 1 through 4, each module supported at at least two points by a support structure, each module being oriented such that distal ends of the side walls thereof engage the support structure, the at least one side wall and the main wall defining an elongate arch, the modules being juxtaposed in parallel relation to define at least one elongate utilicore between the arches, the support structure comprising at least one substantially horizontal beam supporting the modules at one of the at least two points, and at least one substantially vertical column supporting at least one of the horizontal beams at one of the at least two points thereof, wherein the column is formed of at least one of the construction modules according to any one of claims 1 through 4, wherein at least one of the pipes in the column is in fluid communication with at least one pipe in a module, supported on a beam supported by the column, in juxtaposed relation to define the utilicore.
16. The structure according to any one of claims 12 through 15, wherein the at least one column has a substantially vertical air passageway associated therewith and in communication with a utilicore supported on a beam supported by the column, to facilitate the flow of air therethrough.
17. The structure according to claim 16, wherein the vertical air passageway extends within the column.
18. The structure according to claim 17, wherein the vertical air passageway comprises an interior chamber of the column.
19. The structure according to any one of claims 16 through 18, wherein the vertical air passageway is secured to the column.
20. The structure according to any one of claims 16 through 19, wherein the vertical air passageway is in communication with at least one of a utilicore, a horizontal air passageway, another vertical air passageway and an air supply.
21. The structure according to claim 20, wherein an aperture is formed in at least one of the vertical air passageway and at least one of the utilicore, the horizontal air

passageway, the other vertical air passageway and the air supply at a point of intersection therebetween.

22. The structure according to any one of claims 16 through 21, wherein the vertical air passageway exhausts proximate to a top end thereof to the exterior to facilitate creation of a chimney effect to promote air flow through the utilicores.

23. The structure according to claim 22, wherein the vertical air passageway is positioned proximate to an exterior / interior boundary of the structure.

24. The structure according to any one of claims 5 through 23, wherein the utilicore houses at least one mechanical system.

25. The structure according to claim 24, wherein the at least one mechanical system is selected from a group consisting of an electrical power cable, telephone cable, internet cable, natural gas line, plumbing supply pipe, plumbing return pipe, compressed air tube, lab or industrial ventilation duct, audio-video system cable, speaker cable, home or office automation cable, alarm system cable, conduit for holding such cables, fire suppression system and any combination of any of these.

26. The structure according to any one of claims 5 through 25, further comprising at least one lighting element secured to a side wall of at least one module for directing light upward against the elongate arch to provide downward illumination by diffuse reflection.

27. Use of a plurality of the poured construction modules according to any one of claims 1 through 4 in a storey-defining structure, each module supported at at least two points by a support structure, each module being oriented such that distal ends of the side walls thereof engage the support structure, at least one side wall and a main wall of a module defining an elongate arch, the modules being juxtaposed in parallel relation to define at least one elongate utilicore between the arches.

28. Use of the modules according to claim 27, wherein the support structure comprises at least one substantially horizontal beam supporting the modules at one of the at least two points, each beam being supported at at least two points by a column, wherein the beam is formed of at least one of the modules.

29. Use of the modules according to claim 28, wherein the support structure comprises at least one substantially vertical column supporting at least one of the horizontal beams at one of the at least two points thereof, wherein the column is formed of at least one of the modules.
30. A utilicore for substantially directing air flowing longitudinally therethrough, the utilicore defining a channel unbounded along one side and having at least one wall comprised of a poured high thermal mass material with at least one pipe embedded therein during a pouring process, the at least one pipe for circulating a fluid throughout the at least one wall at a temperature that is different from an ambient temperature of the air flowing through the utilicore, for effecting heat transfer through the at least one wall between the fluid in the at least one pipe and the air flowing through the utilicore.
31. The utilicore according to claim 30, comprising at least a respective portion of first and second elements, at least one of which comprising the at least one wall, in juxtaposed orientation to substantially contain air flow therewithin.
32. The utilicore according to claim 30 or claim 31, further comprising at least one panel for substantially covering an unbounded side of the channel and containing air flowing therewithin along a longitudinal air passage.
33. The utilicore according to claim 32, wherein the panel comprises at least one gap for permitting air flowing along the utilicore to escape therefrom.
34. The utilicore according to claim 33, wherein the utilicore comprises a trough to surround the gap and to channel air flow through the gap.
35. The utilicore according to claim 33 or claim 34, wherein the utilicore comprises at least one damper movable between an open position in which air may escape the utilicore through the gap and a closed position in which air may be substantially inhibited from escaping the utilicore therethrough.
36. The utilicore according to claim 35, wherein the at least one damper is movable between the open and closed positions under motor control.

37. The utilicore according to claim 35 or claim 36, wherein the at least one damper is movable between the open and closed positions under direction of an environmental sensor.

38. The utilicore according to any one of claims 30 through 37, wherein the high thermal mass material is concrete.

39. The utilicore according to any one of claims 30 through 38, wherein the channel is defined substantially solely by the poured high thermal mass material.

40. The utilicore according to any one of claims 30 through 39, wherein the fluid is selected from a group consisting of water and glycol.

41. The utilicore according to any one of claims 30 through 40, wherein the fluid is at a temperature that is higher than an ambient temperature of the air flowing through the utilicore and heat transfer is effected to raise the temperature of the air flowing through the utilicore.

42. The utilicore according to any one of claims 30 through 41, wherein the fluid is at a temperature that is lower than an ambient temperature of the air flowing through the utilicore and heat transfer is effected to lower the temperature of the air flowing through the utilicore.

43. The utilicore according to any one of claims 30 through 42, wherein a ratio of a cross-sectional area of the channel and of a cross-sectional area of the at least one pipe is substantially in excess of 100.

44. The utilicore according any one of claims 30 through 43, wherein a ratio of a cross-sectional area of the channel and of a cross-sectional area of the at least one pipe is substantially in excess of 1000.

45. The utilicore according to any one of claims 30 through 44, wherein the at least one pipe is supplied with fluid by a fluid resource in fluid communication therewith.

46. The utilicore according to claim 45, wherein fluid from the at least one pipe is returned to the fluid resource.

47. The utilicore according to claim 45 or claim 46, wherein the at least one pipe and the fluid resource comprise a fluid circulation loop.
48. The utilicore according to any one of claims 30 through 47, wherein the fluid resource comprises a fluid source in fluid communication with the at least one pipe.
49. The utilicore according to any one of claims 30 through 48, wherein the fluid resource comprises a circulator in fluid communication with the at least one pipe.
50. The utilicore according to any one of claims 30 through 49, wherein the fluid resource comprises a heating / cooling plant for bringing fluid supplied to the at least one pipe to a temperature that is different from an ambient temperature of the air flowing through the utilicore.
51. The utilicore according to any one of claims 30 through 50, wherein the air flowing through the utilicore is in communication with an air supply for forcing air through the utilicore.
52. The utilicore according to claim 51, wherein the utilicore is in communication with the air supply through at least one air passageway.
53. The utilicore according to claim 52, wherein the utilicore, the air supply and the at least one air passageway comprise an air circulation loop.

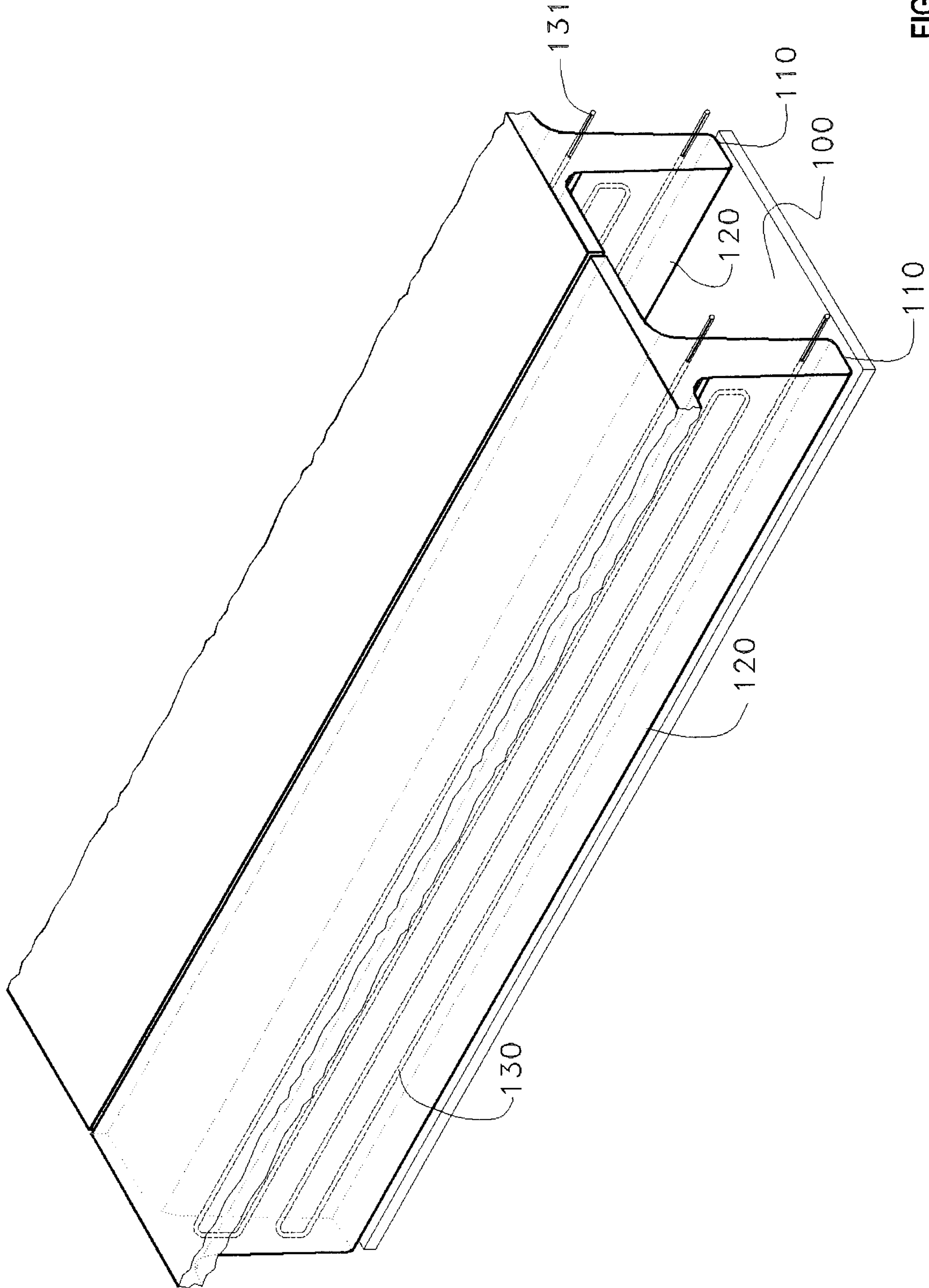


FIG. 1

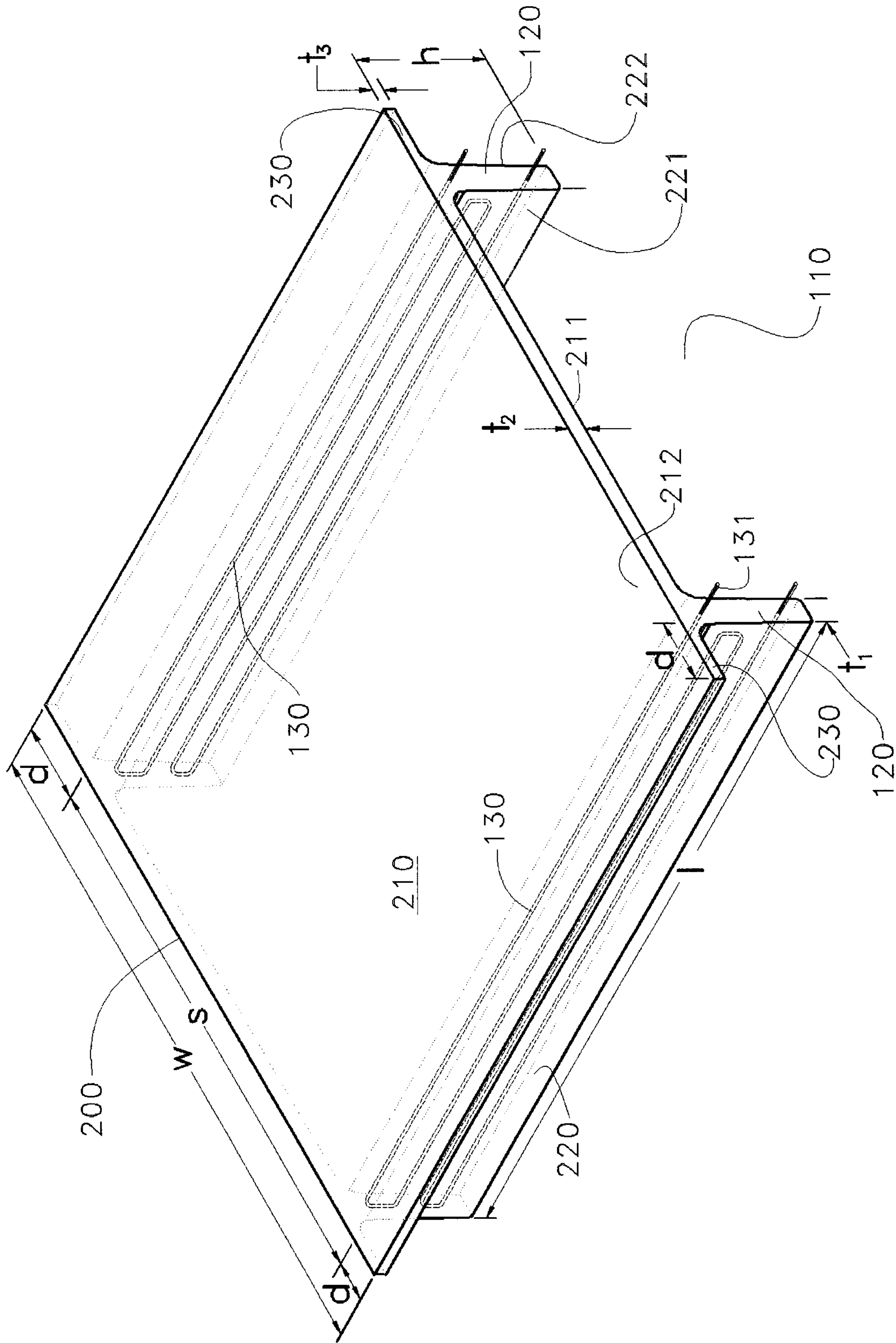


FIG. 2

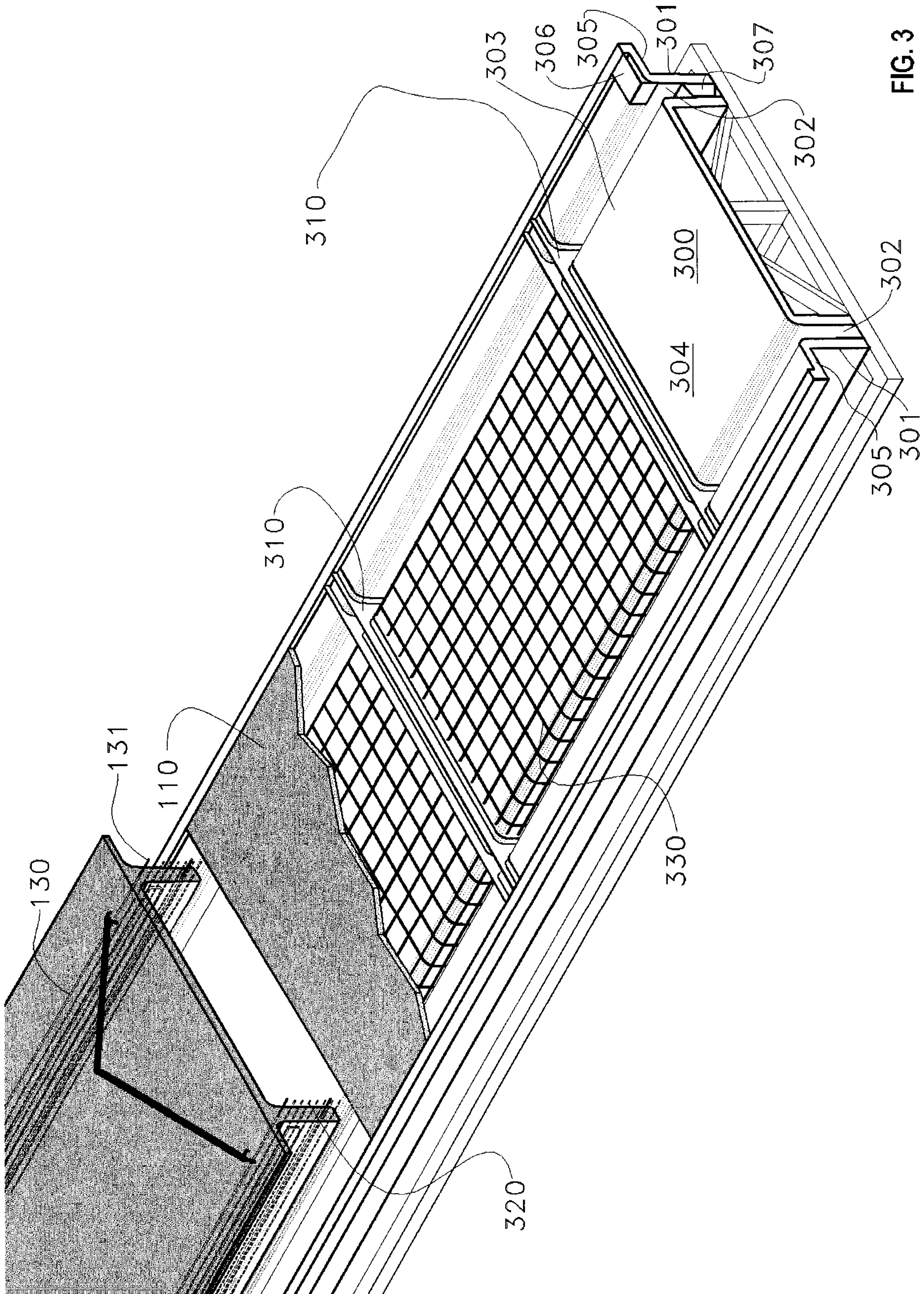


FIG. 3

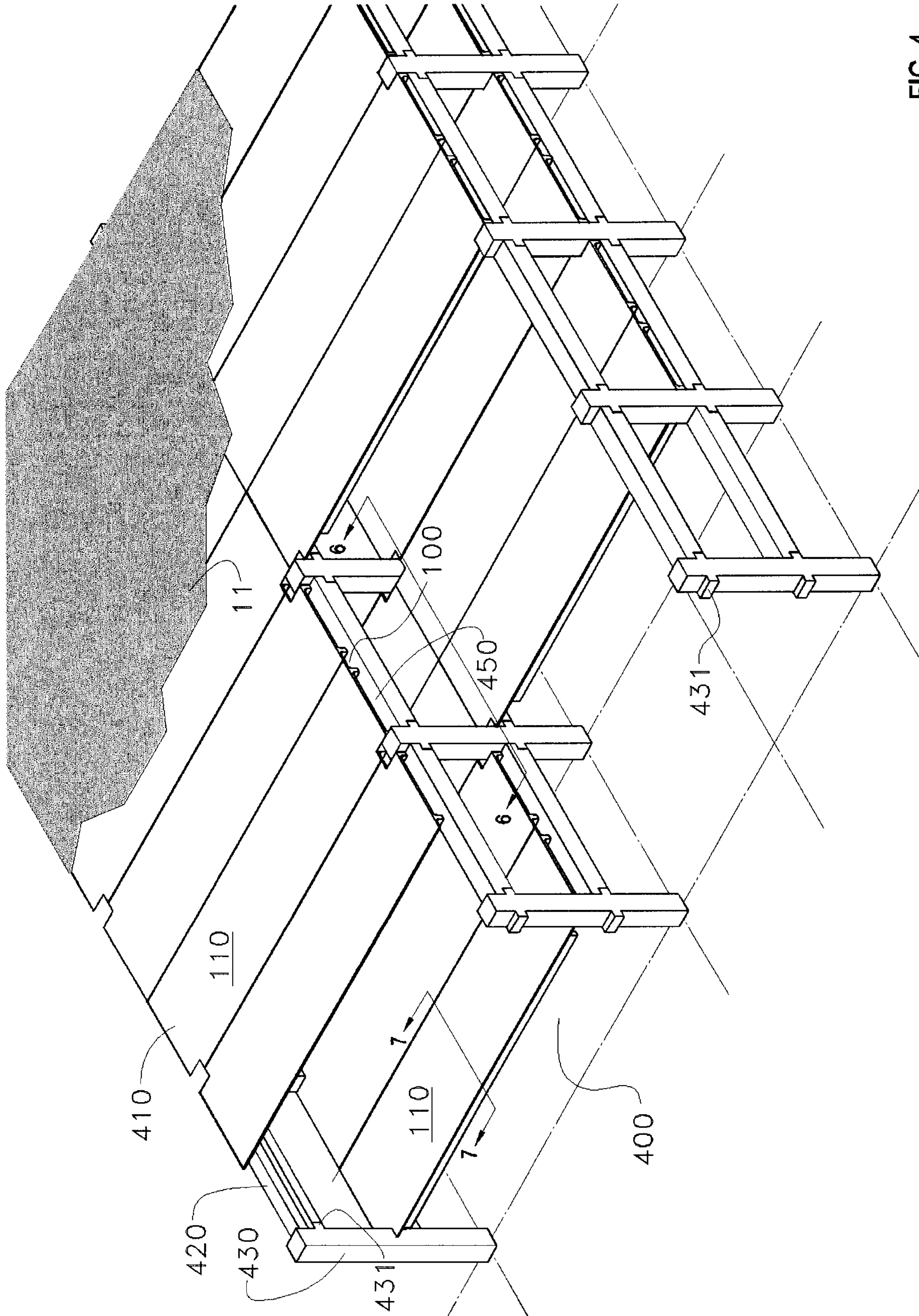


FIG. 4

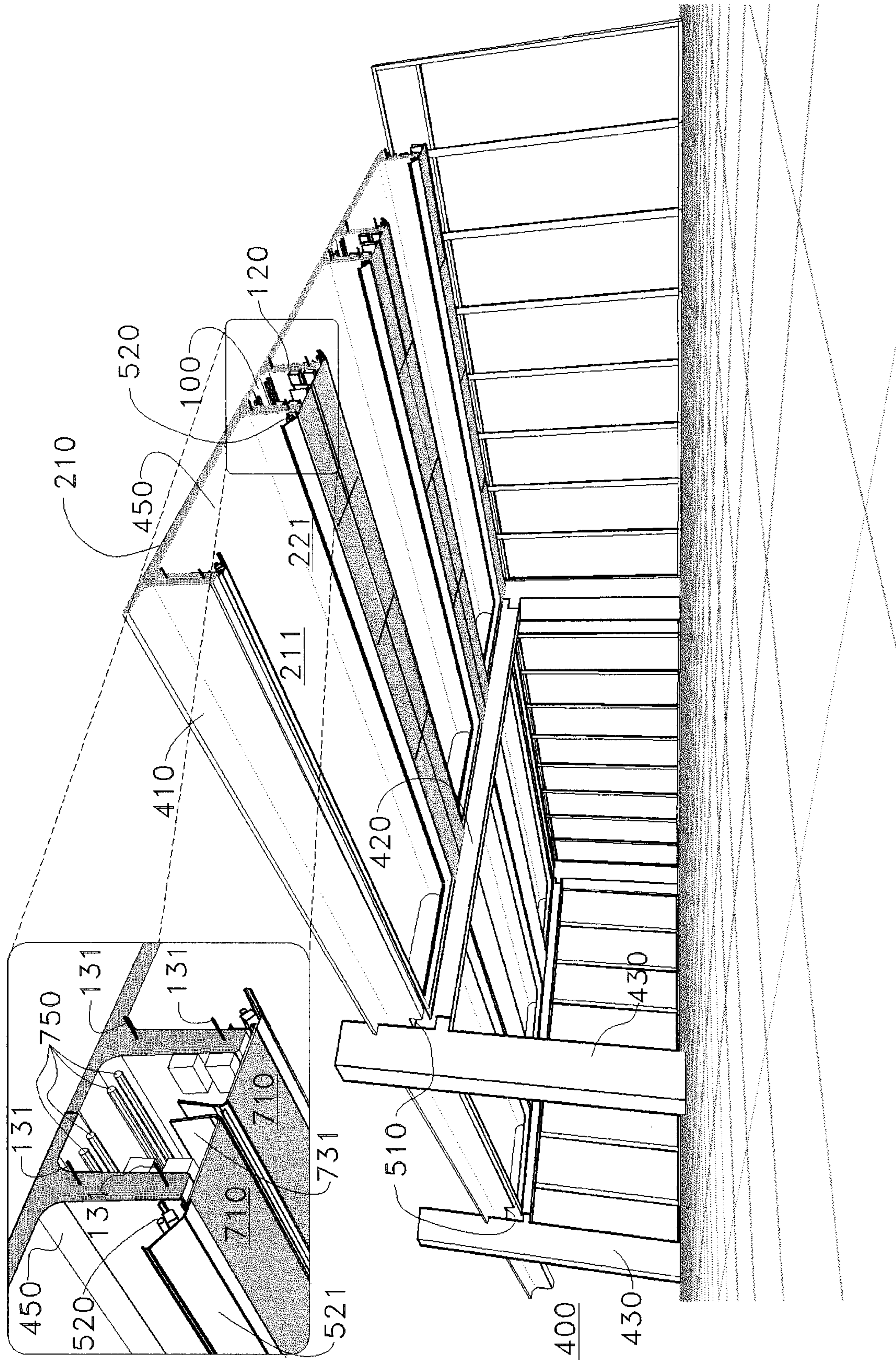


FIG. 5

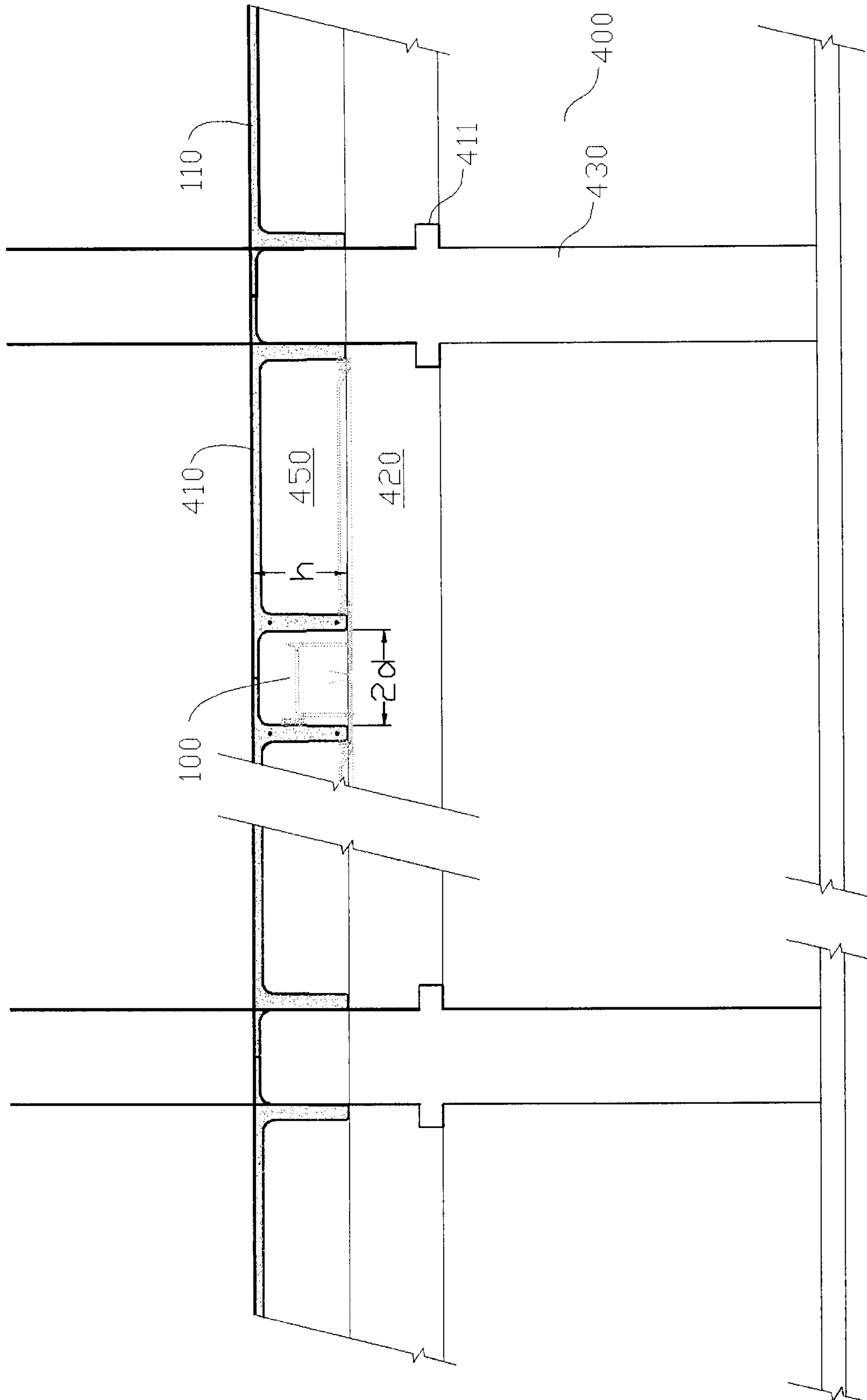


FIG. 6

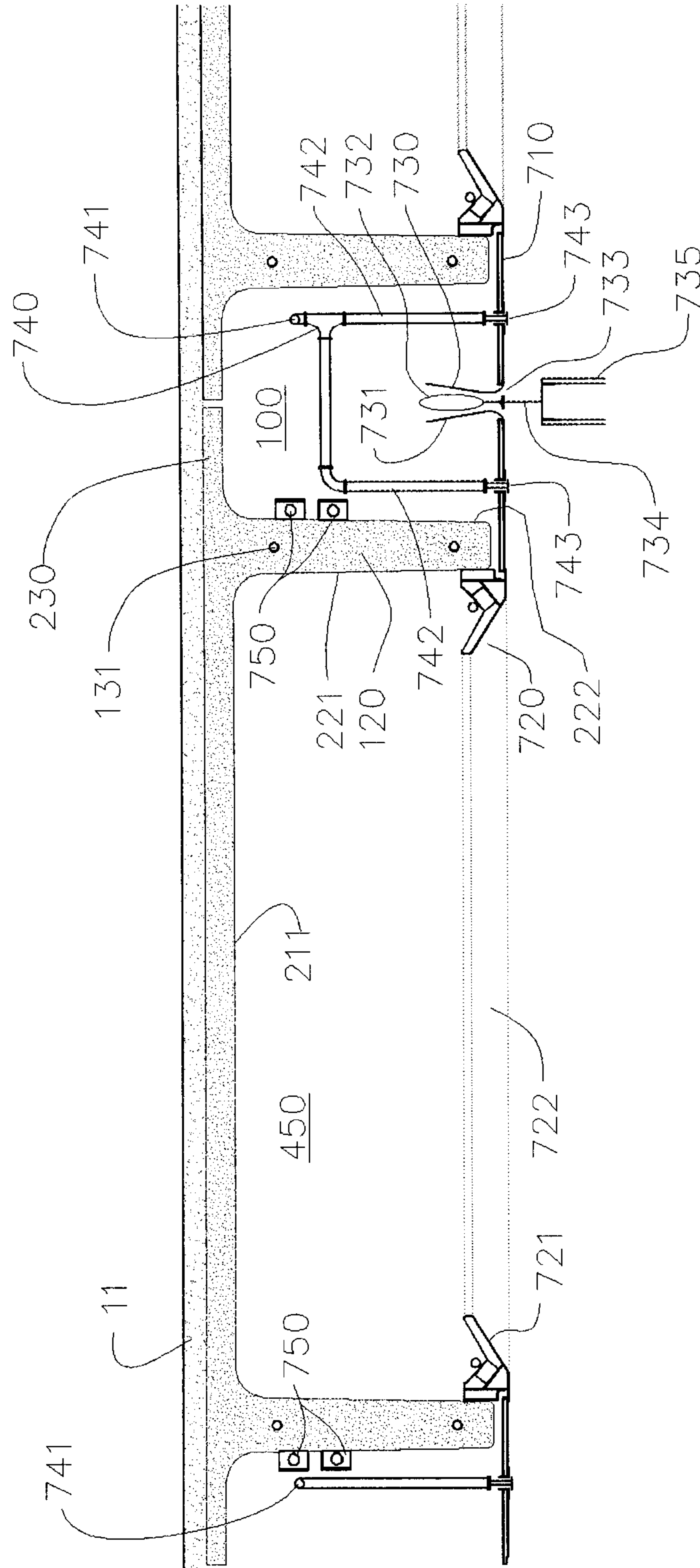


FIG. 7

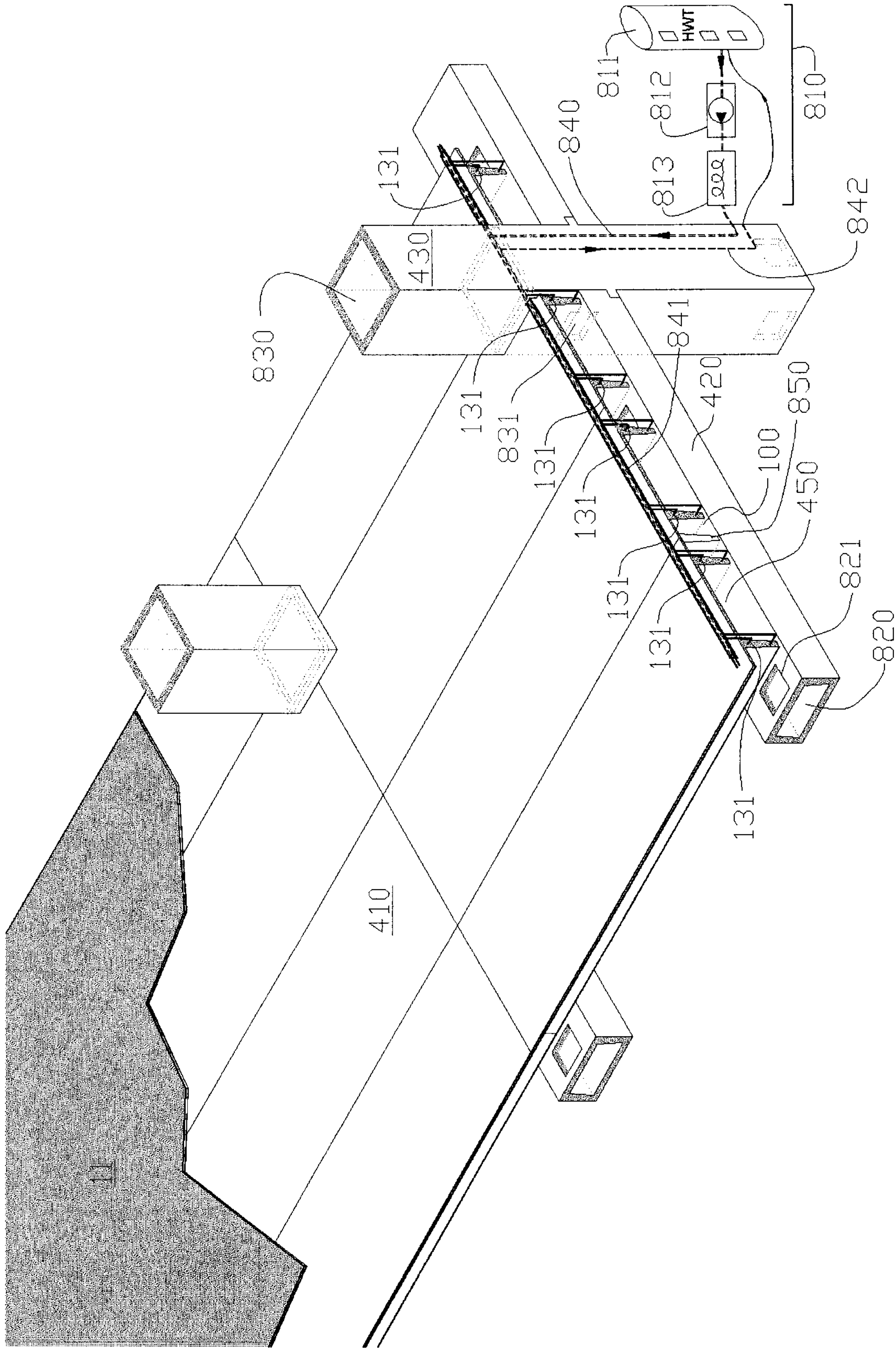


FIG. 8

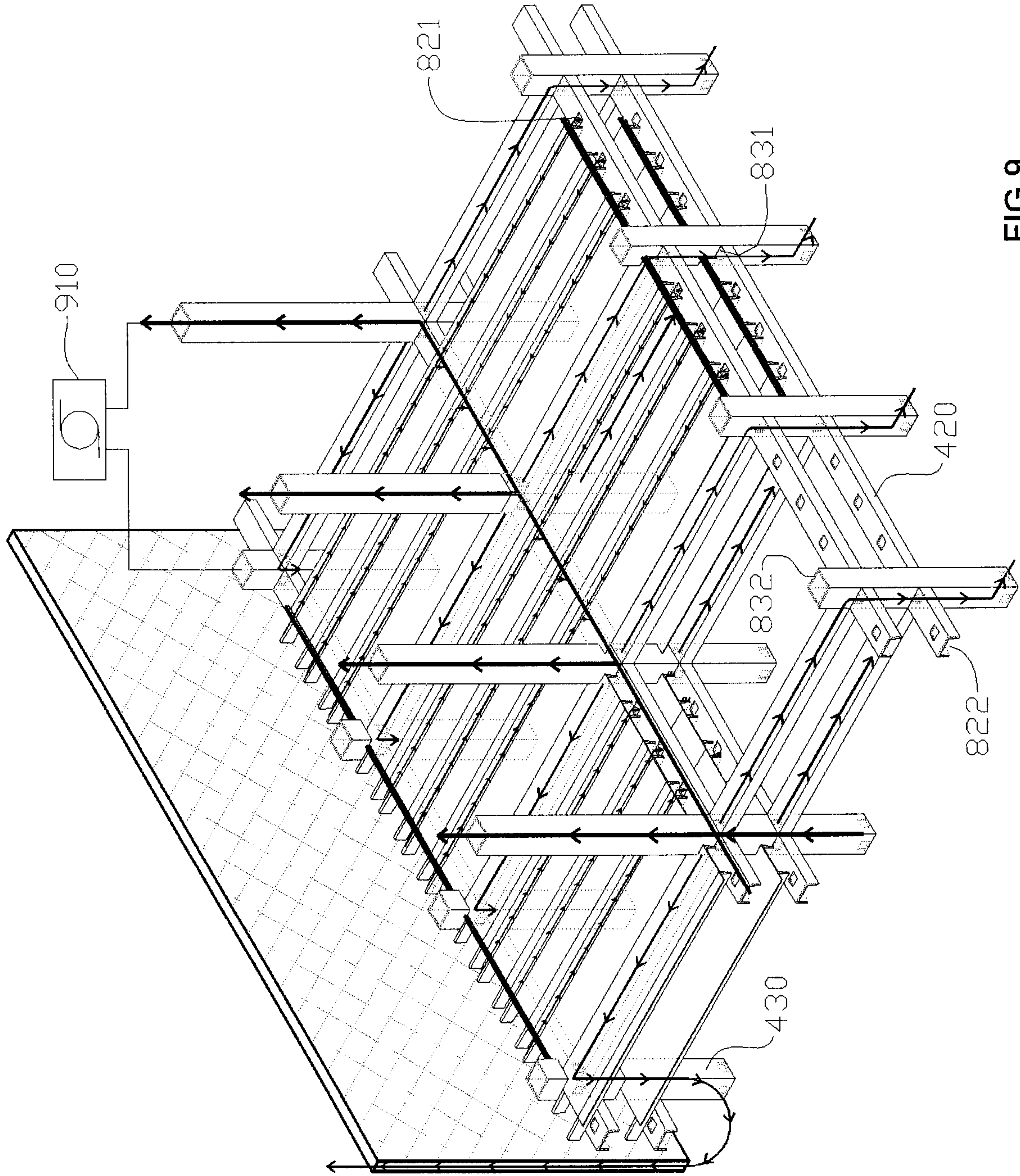


FIG.9

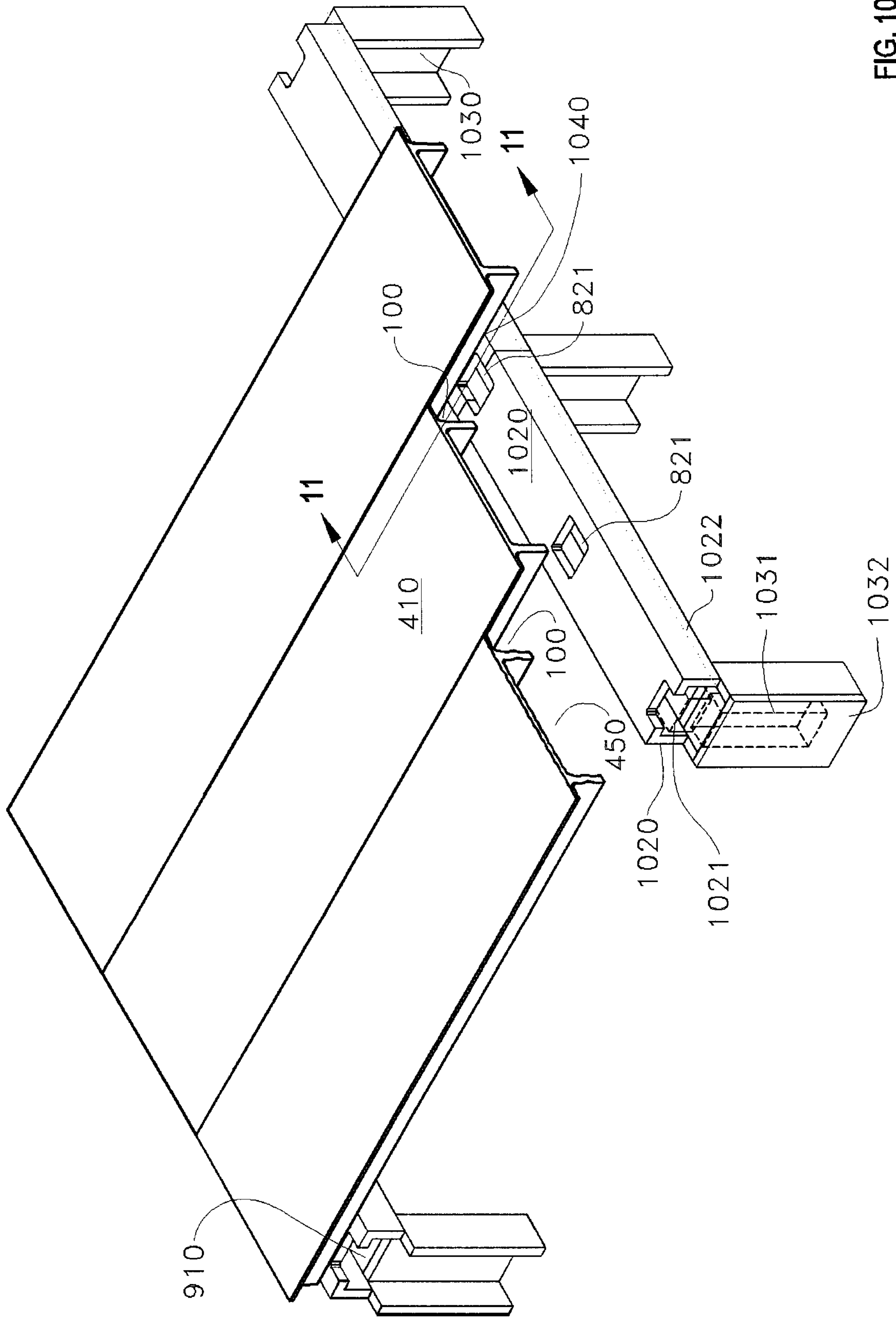


FIG. 10

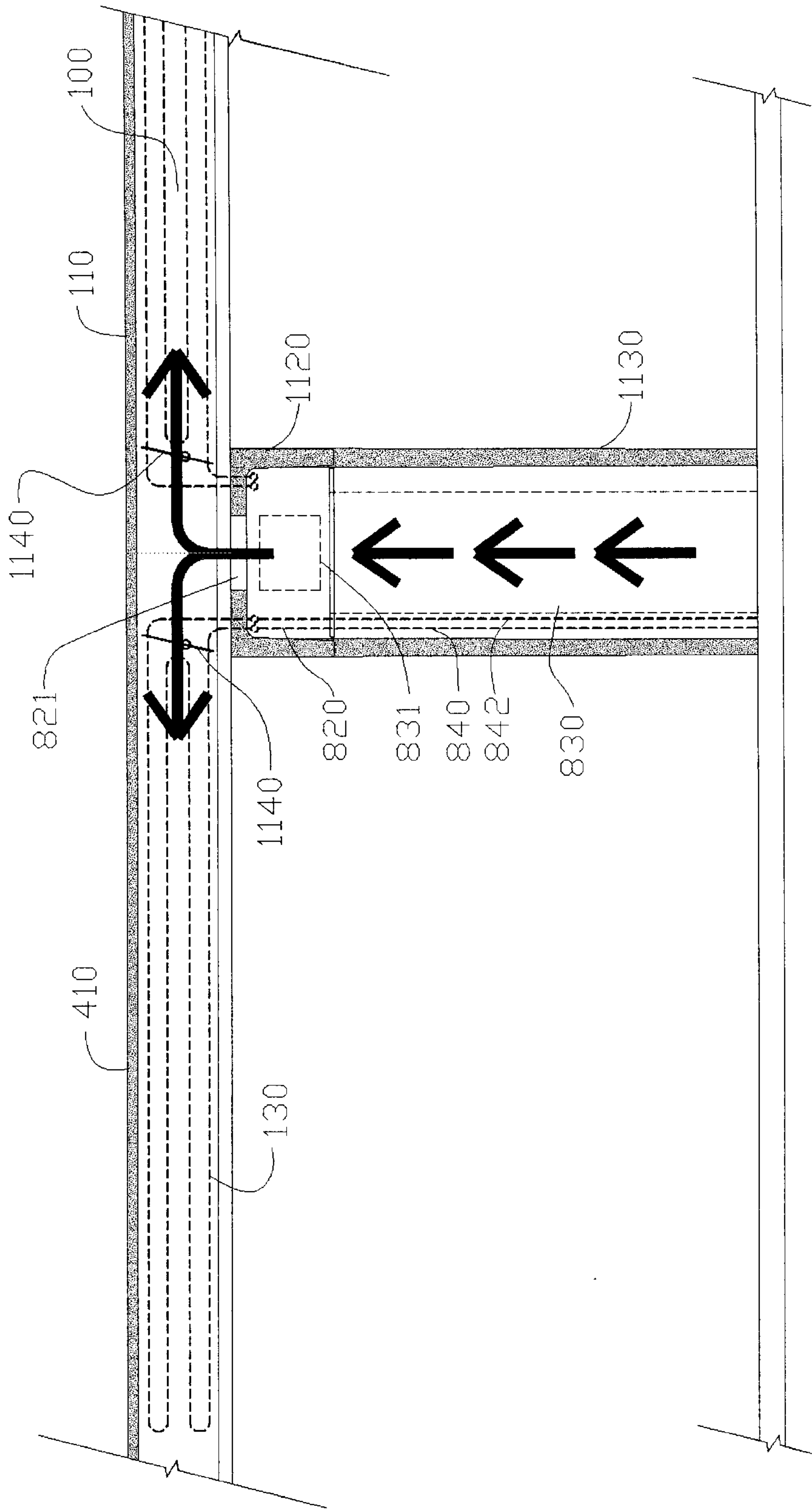


FIG. 11

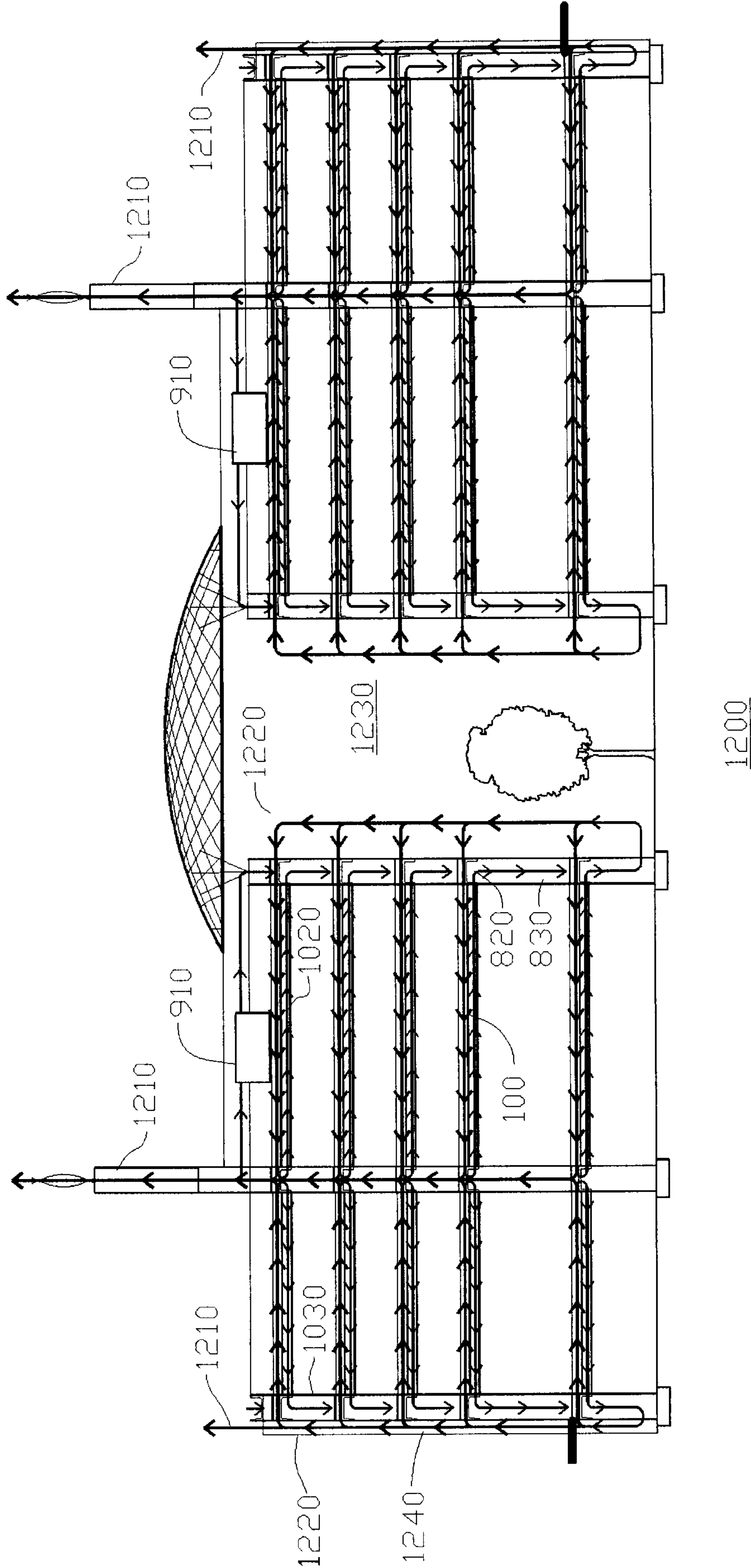


FIG.12

