



US00D780762S

(12) **United States Design Patent**
Ju

(10) **Patent No.:** **US D780,762 S**

(45) **Date of Patent:** **** Mar. 7, 2017**

(54) **DOCKING STATION OF PORTABLE COMPUTER**

(71) Applicant: **GETAC TECHNOLOGY CORPORATION**, Hsinchu County (TW)

(72) Inventor: **Shuan-Yeong Ju**, Taipei (TW)

(73) Assignee: **Getac Technology Corporation**, Hsinchu County (TW)

(**) Term: **15 Years**

(21) Appl. No.: **29/552,394**

(22) Filed: **Jan. 21, 2016**

(51) **LOC (10) Cl.** **14-02**

(52) **U.S. Cl.**
USPC **D14/434**

(58) **Field of Classification Search**
USPC D14/434, 440, 447, 251-253, 432, 451, D14/452, 140, 142, 149, 217, 240, 299, D14/496; D13/103, 107, 108; D3/201, D3/215, 218
CPC G06F 1/1616; G06F 1/1626; G06F 1/1632; H01M 10/44; F16M 11/10; H02J 7/0042; H02J 7/00; H01R 31/065

See application file for complete search history.

(56) **References Cited**

U.S. PATENT DOCUMENTS

D366,468	S	*	1/1996	Ryan	D14/434
D376,585	S	*	12/1996	Wathen	D14/434
5,838,539	A	*	11/1998	Doss	G06F 1/1632 361/679.43
D416,548	S	*	11/1999	Sugano	D14/434
D420,651	S	*	2/2000	Lee	D14/434

D421,424	S	*	3/2000	Lee	D14/434
D448,385	S	*	9/2001	Oross	D14/432
6,667,881	B2	*	12/2003	Oross	G06F 1/1632 361/679.4
D504,893	S	*	5/2005	Araki	D14/434
D554,582	S	*	11/2007	Iseki	D13/108
D561,186	S	*	2/2008	Kawase	D14/434
7,359,185	B2	*	4/2008	Hiroyoshi	G06F 1/1632 312/223.3
D585,897	S	*	2/2009	Carnevali	D14/434

(Continued)

OTHER PUBLICATIONS

Docking-Station. (Design-© Questel). orbit.com. [online PDF] 23 pages. Print Date Feb. 26, 2016. [retrieved on Dec. 18, 2016] <https://sobjprd.questel.fr/export/QPTUJ214/pdf2/eebf6d9-d4f6-4650-84b9-28644006256d-181042.pdf>*

Primary Examiner — Susan Bennett Hattan

Assistant Examiner — Marie Fast Horse

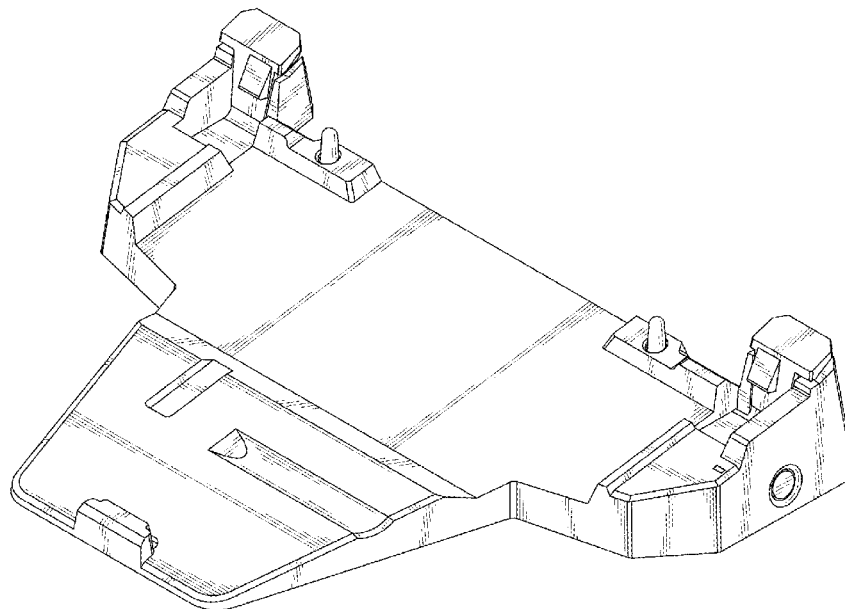
(57) **CLAIM**

The ornamental design for a docking station of portable computer, as shown and described.

DESCRIPTION

FIG. 1 is a front top right perspective view of a docking station of portable computer showing my new design; FIG. 2 is a rear bottom left perspective view thereof of my new design; FIG. 3 is a front view thereof of my new design; FIG. 4 is a rear view thereof of my new design; FIG. 5 is a left side view thereof of my new design; FIG. 6 is a right side view thereof of my new design; FIG. 7 is a top view thereof of my new design; and, FIG. 8 is a bottom view thereof of my new design.

1 Claim, 6 Drawing Sheets



(56)

References Cited

U.S. PATENT DOCUMENTS

D633,040	S *	2/2011	Le	D13/108
7,911,779	B1 *	3/2011	Tarnoff	G06F 1/1626 361/679.4
D655,351	S *	3/2012	Zenri	D21/333
D656,555	S *	3/2012	Zenri	D21/333
8,185,681	B2 *	5/2012	Downing	G06F 1/1632 361/679.41
D675,212	S *	1/2013	Chen	D14/447
D692,437	S *	10/2013	Sugino	D14/447
D730,905	S *	6/2015	Li	D14/434
D732,036	S *	6/2015	Lee	D14/434
D742,885	S *	11/2015	Chen	D14/434
2014/0153162	A1 *	6/2014	Kim	G06F 1/1616 361/679.01

* cited by examiner

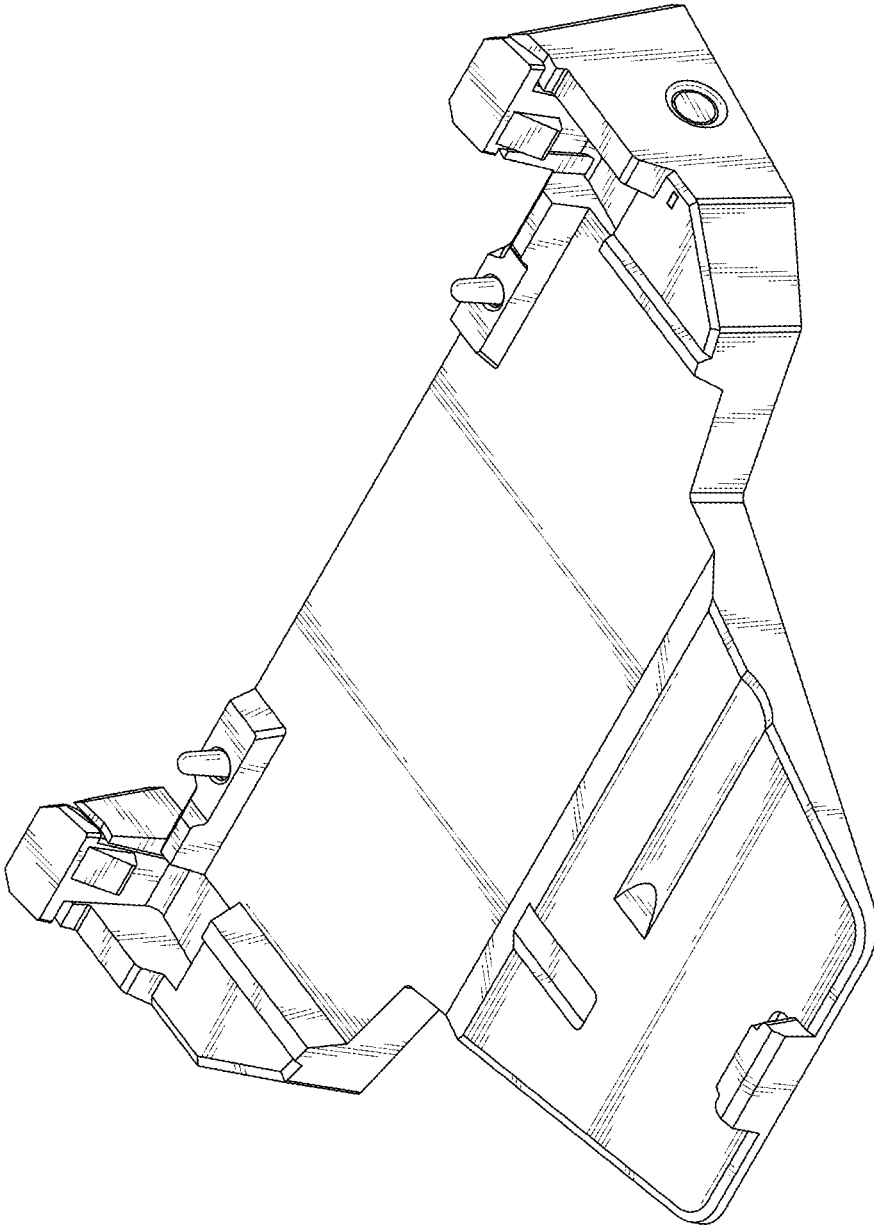


FIG. 1

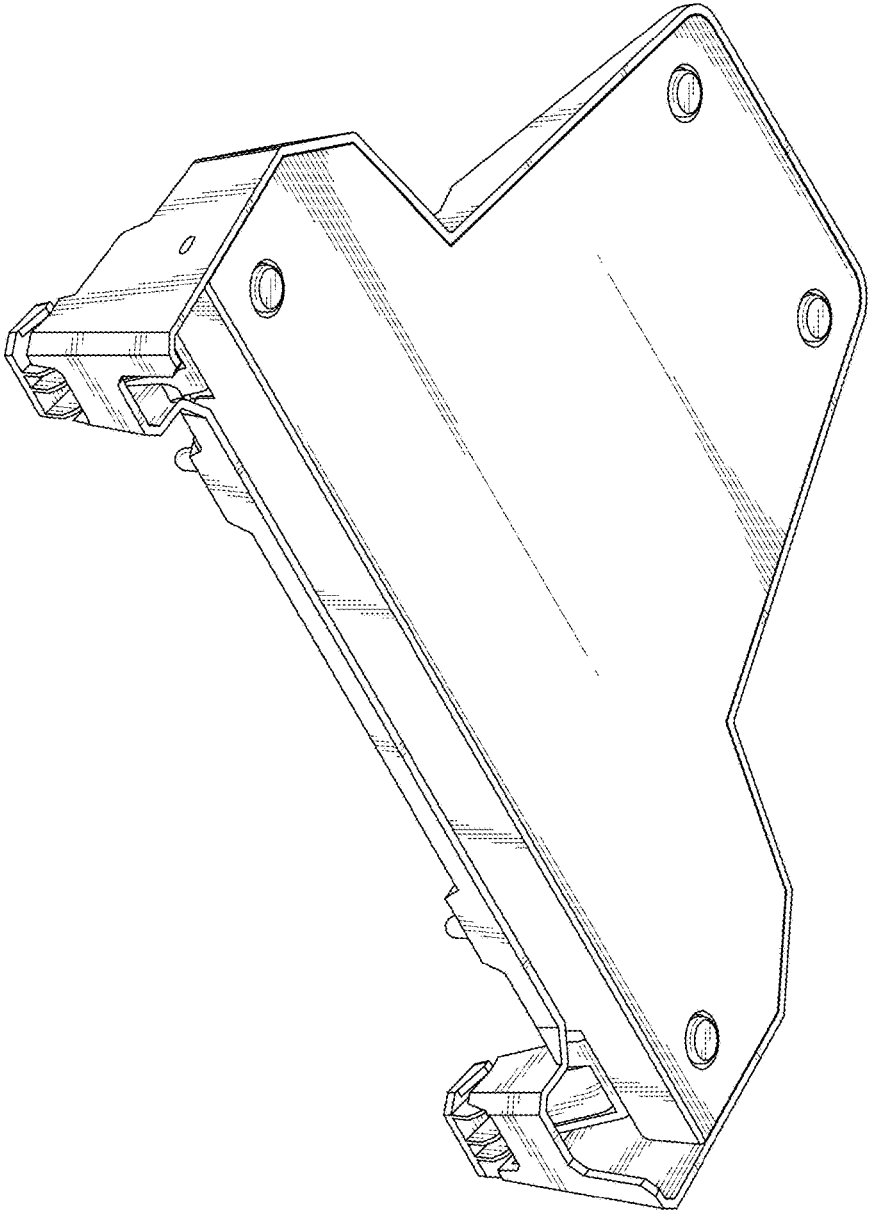


FIG. 2

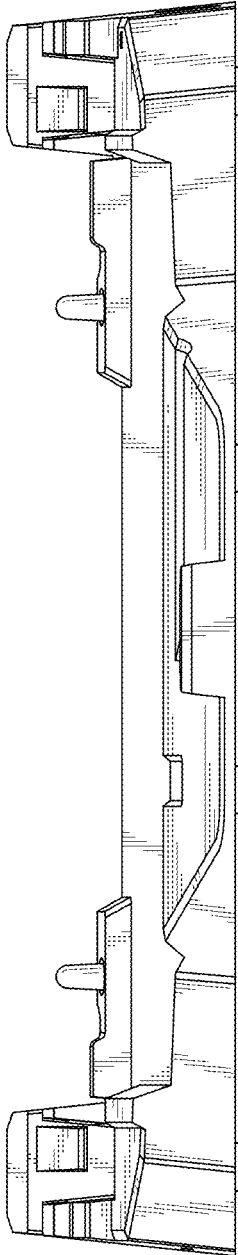


FIG. 3

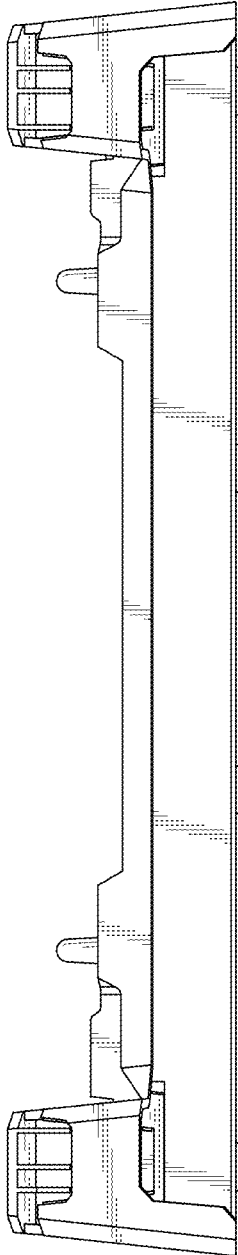


FIG. 4

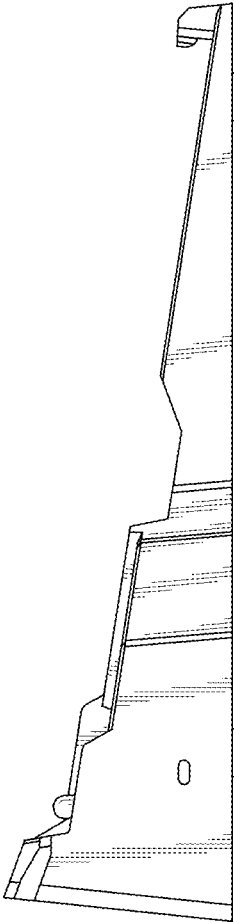


FIG. 5

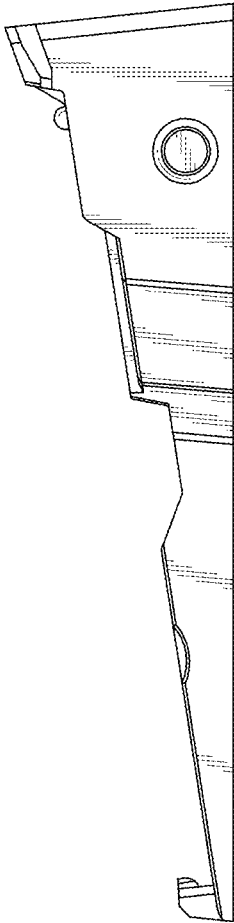


FIG. 6

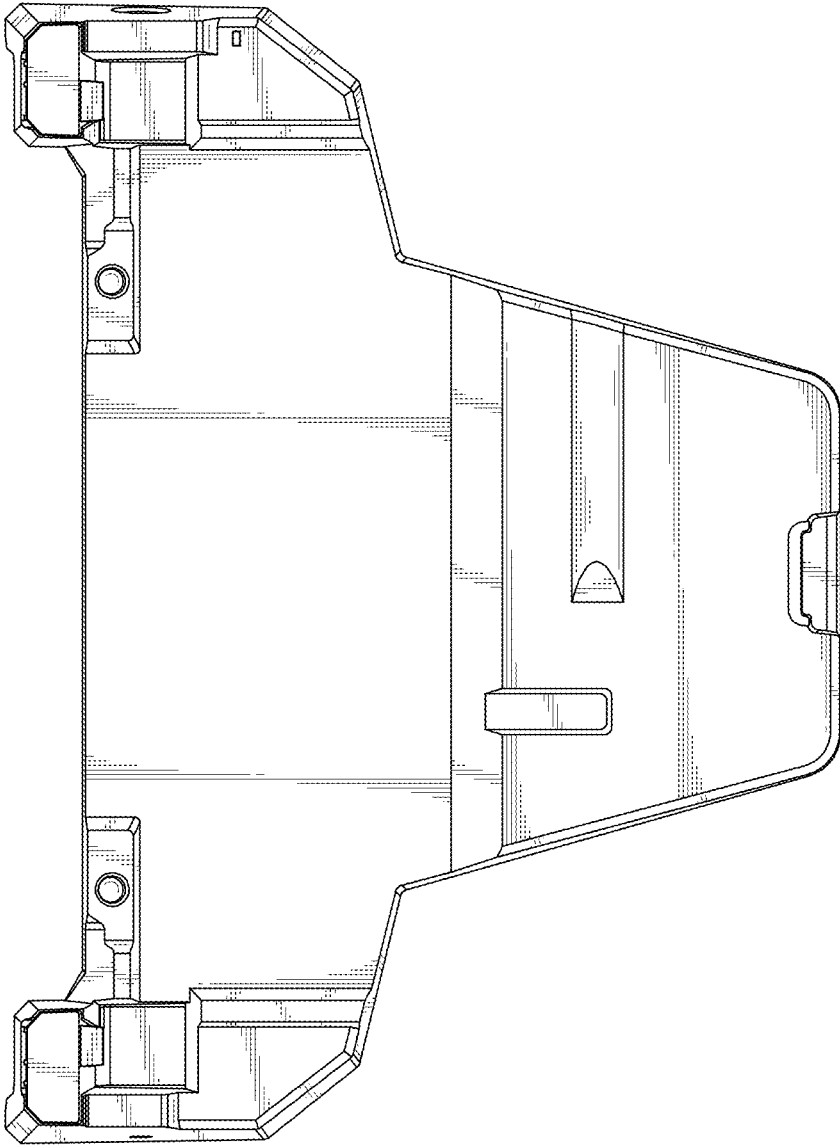


FIG. 7

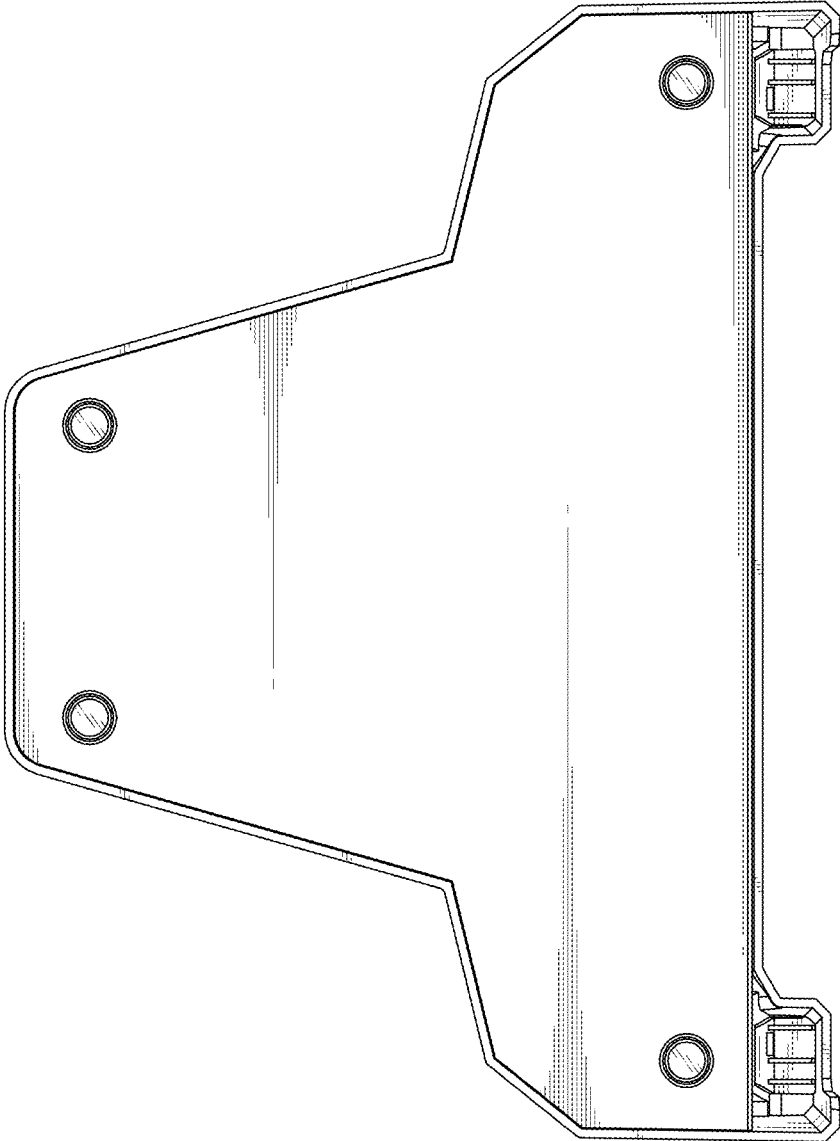


FIG. 8