



US0D1051069S

(12) **United States Design Patent**  
**Valley**

(10) **Patent No.:** **US D1,051,069 S**

(45) **Date of Patent:** **\*\* Nov. 12, 2024**

(54) **CABLE HANDLE AND HOLDER ASSEMBLY**

D704,144 S \* 5/2014 Tangalakis ..... D13/153  
D705,512 S 5/2014 Stratton  
D709,729 S 7/2014 Delassus  
D732,819 S \* 6/2015 Kilcoyne ..... D3/215

(Continued)

(71) Applicant: **Valley Bros LLC**, Sacramento, CA  
(US)

(72) Inventor: **Kris Inry Valley**, Roseville, CA (US)

(73) Assignee: **VALLEY BROS LLC**

(\*\*) Term: **15 Years**

(21) Appl. No.: **29/875,197**

(22) Filed: **May 1, 2023**

(51) **LOC (14) Cl.** ..... **13-03**

(52) **U.S. Cl.** ..... **D13/153**  
USPC .....

(58) **Field of Classification Search**  
USPC ..... D13/153, 108; D21/673; D3/215;  
D8/107  
CPC ..... B63H 20/007; H02G 11/02; A45F 5/02;  
A01M 31/006

See application file for complete search history.

(56) **References Cited**

**U.S. PATENT DOCUMENTS**

2,320,067	A *	5/1943	Caughren .....	A01M 31/006	224/268
D303,748	S	10/1989	Yamagishi		
D307,671	S *	5/1990	Satterly .....	D11/216	
D355,978	S *	3/1995	Suher .....	D3/215	
D371,235	S *	7/1996	Robertson .....	D3/215	
D377,118	S *	1/1997	Carbone .....	D3/215	
5,671,833	A *	9/1997	Edwards .....	H02G 11/02	D13/153
D384,873	S *	10/1997	Aquilina .....	D8/107	
D414,263	S *	9/1999	Duran .....	D3/215	
6,578,231	B1	6/2003	Godshaw et al.		
D481,291	S	10/2003	Hernandez, Jr.		
D505,785	S *	6/2005	Woody .....	D3/215	
D618,973	S *	7/2010	Gosselin .....	D8/107	
D637,816	S	5/2011	Nitkin		

**OTHER PUBLICATIONS**

“Ultimate Cable Machine . . .” reference dated Apr. 29, 2024 found on the internet at: <https://www.amazon.com/allbingo-Ultimate-Attachment-Resistance-Crossover/dp/B08GPWXY4Z>.\*

*Primary Examiner* — Rhea Shields

(74) *Attorney, Agent, or Firm* — INNOVATION CAPITAL LAW GROUP, LLP; Vic Lin

(57) **CLAIM**

The ornamental design for a cable handle and holder assembly as shown and described.

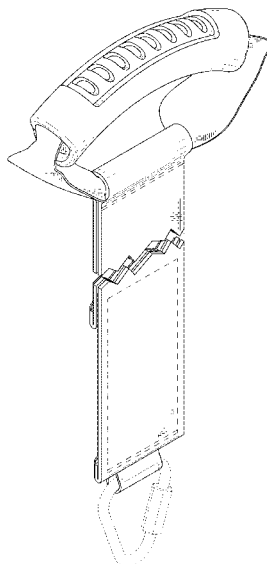
**DESCRIPTION**

FIG. 1 is a front elevation view of a cable handle and holder assembly, showing my new design; FIG. 2 is a rear elevation view thereof; FIG. 3 is a left side elevation view thereof; FIG. 4 is a right side elevation view thereof; FIG. 5 is a top plan view thereof; FIG. 6 is a bottom plan view thereof; FIG. 7 is a front perspective view thereof; and, FIG. 8 is a rear perspective view thereof, in an alternate configuration.

The broken lines in the drawings (short dash-short dash broken lines) illustrate portions of the cable handle and holder assembly that form no part of the claimed design. The cable handle and holder assembly is shown with a symbolic break in its length. The appearance of any portion of the article beyond the break line forms no part of the claimed design.

The long dash-long dash broken lines in the drawings illustrate stitching of the cable handle and holder assembly that forms a part of the claimed design.

**1 Claim, 8 Drawing Sheets**



(56)

**References Cited**

U.S. PATENT DOCUMENTS

9,127,707	B1 *	9/2015	Huntley .....	B63H 20/007
D774,468	S *	12/2016	Ewing .....	D13/153
D784,686	S *	4/2017	Praamsma .....	D3/215
D789,778	S *	6/2017	White, Sr. ....	D3/215
D842,398	S *	3/2019	Zhu .....	D21/673
D845,347	S	4/2019	Pelini et al.	
D934,182	S *	10/2021	Ding .....	D13/153
D934,654	S	11/2021	Alvarez et al.	
D975,005	S *	1/2023	Miller .....	A45F 5/02 D13/153
D987,404	S	5/2023	Payne	
D1,003,108	S	10/2023	Vozzi	
D1,011,729	S *	1/2024	Tsai .....	D3/215
D1,012,488	S *	1/2024	Tsai .....	D3/215
D1,014,886	S	2/2024	Whitta et al.	

\* cited by examiner

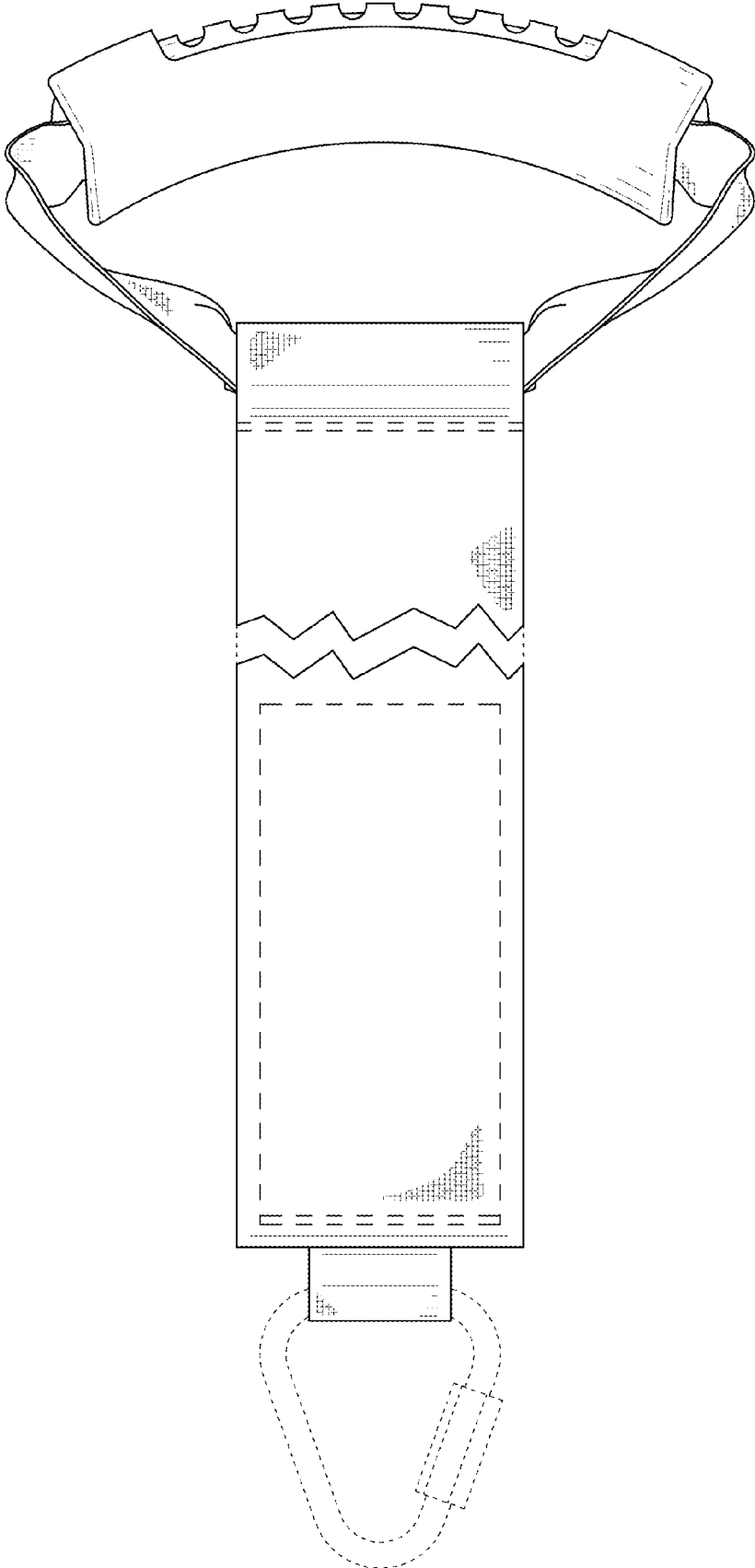


FIG. 1

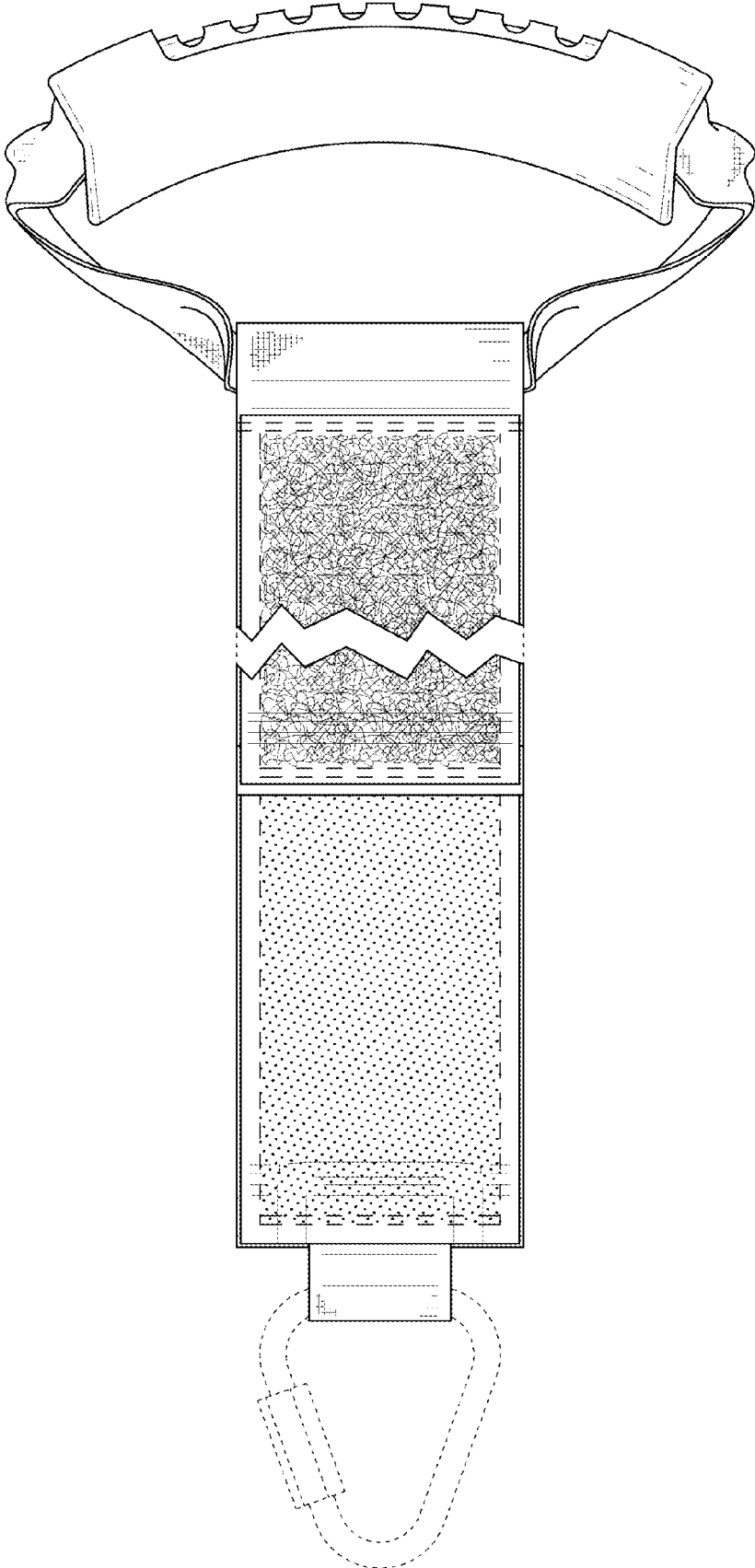


FIG. 2

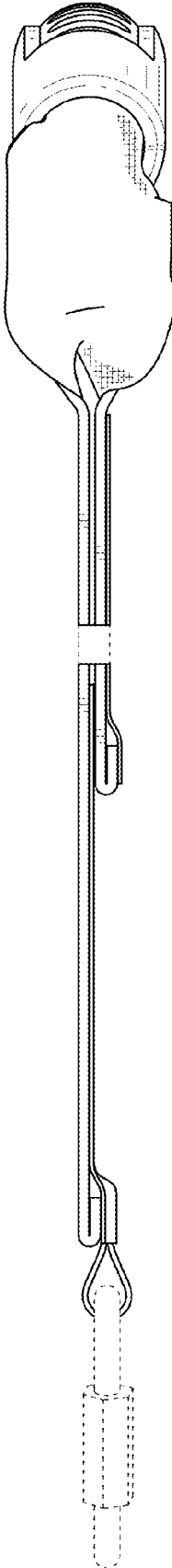


FIG. 3

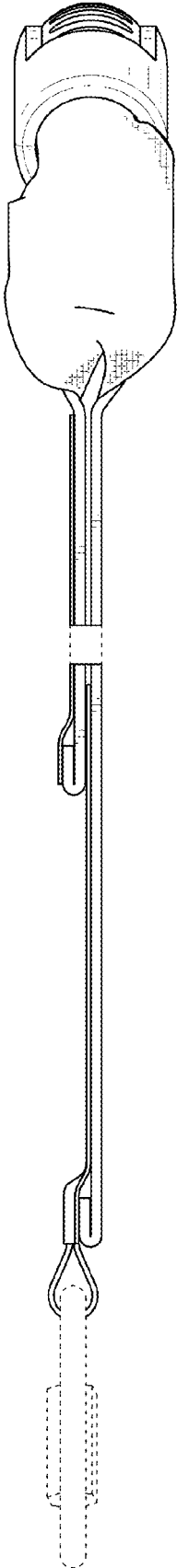


FIG. 4

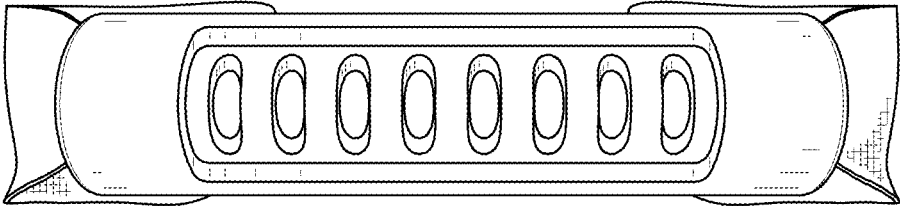


FIG. 5

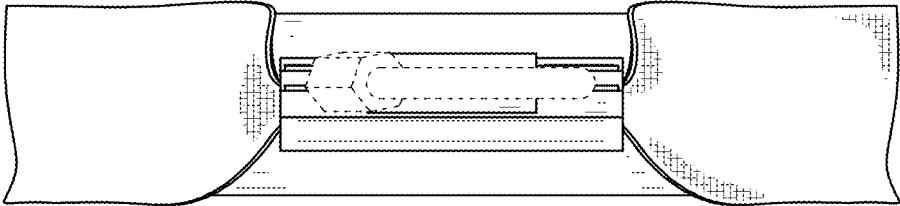


FIG. 6

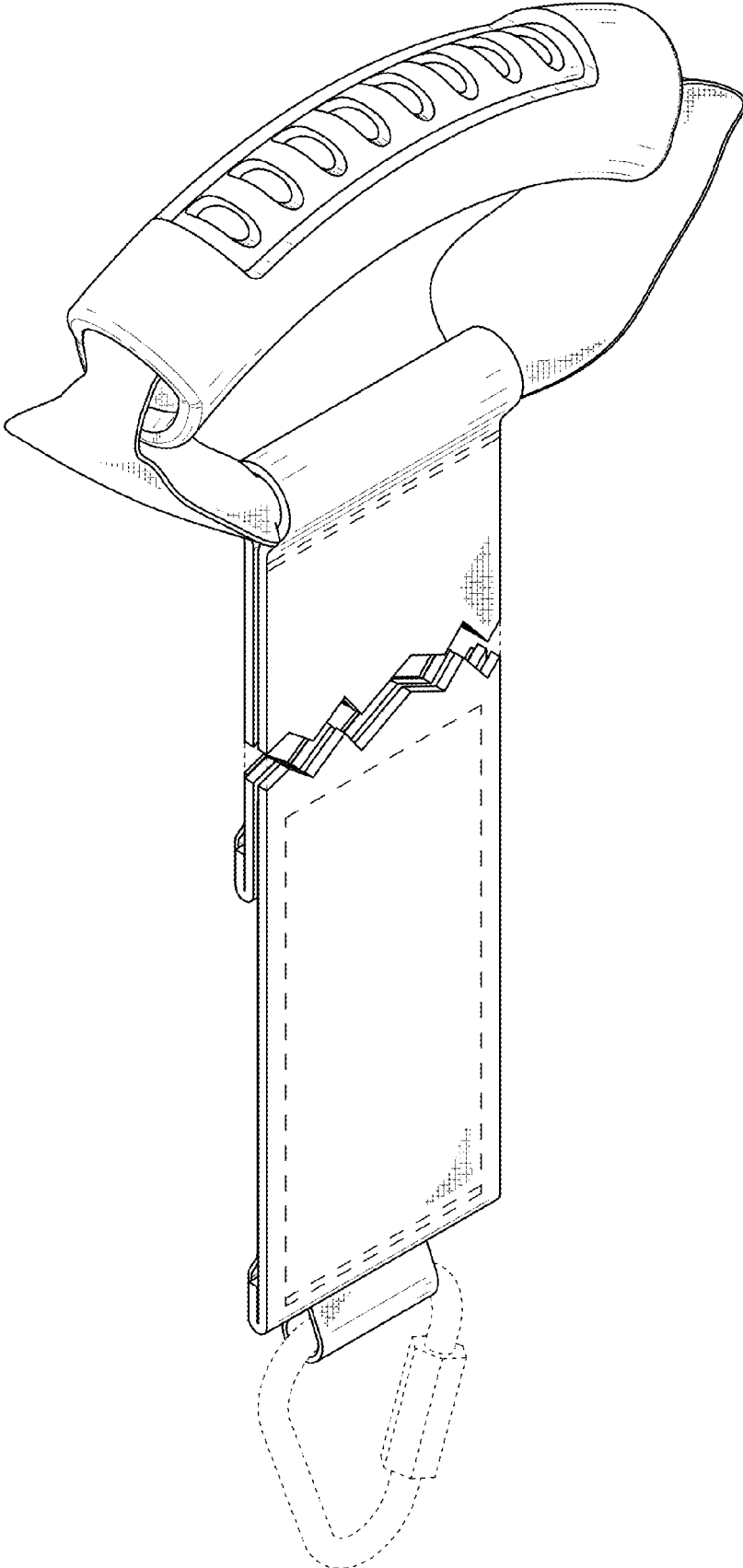


FIG. 7

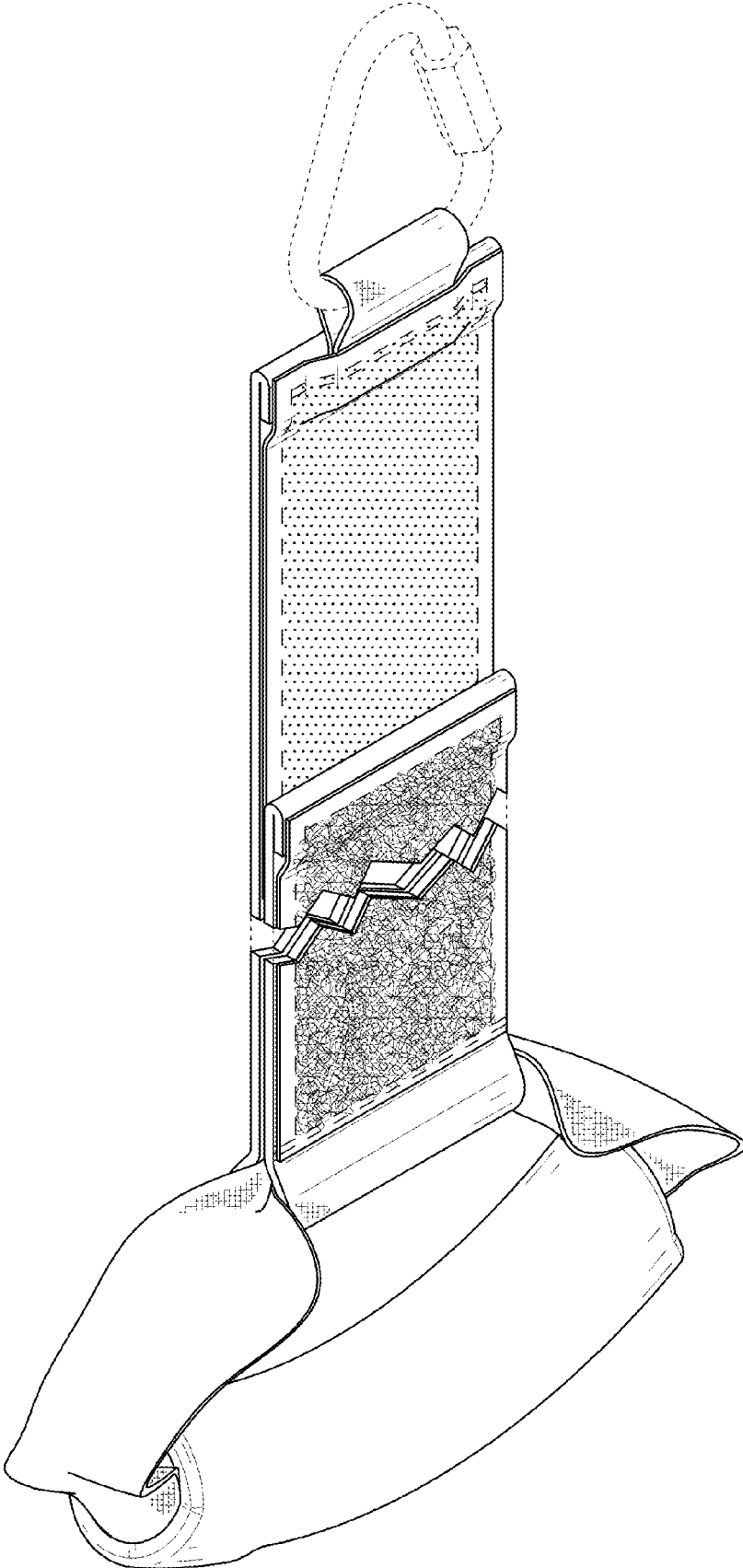


FIG. 8