

(19) World Intellectual Property Organization
International Bureau



(43) International Publication Date
19 September 2002 (19.09.2002)

PCT

(10) International Publication Number
WO 02/073066 A3

(51) International Patent Classification⁷: F16H 7/08, 7/12

(21) International Application Number: PCT/US02/08186

(22) International Filing Date: 12 March 2002 (12.03.2002)

(25) Filing Language: English

(26) Publication Language: English

(30) Priority Data:
09/805,069 12 March 2001 (12.03.2001) US

(71) Applicant: THE GATES CORPORATION [US/US];
900 South Broadway, Denver, CO 80209 (US).

(72) Inventor: SERKH, Alexander; 316 Falling Brook Drive,
Troy, MI 48098-4696 (US).

(74) Agent: THURNAU, Jeffrey; The Gates Corporation, Mail
Stop: 31-4-1-A3, 900 S. Broadway, Denver, CO 80209
(US).

(81) Designated States (*national*): AE, AG, AL, AM, AT, AU, AZ, BA, BB, BG, BR, BY, BZ, CA, CH, CN, CO, CR, CU, CZ, DE, DK, DM, DZ, EC, EE, ES, FI, GB, GD, GE, GH, GM, HR, HU, ID, IL, IN, IS, JP, KE, KG, KP, KR, KZ, LC, LK, LR, LS, LT, LU, LV, MA, MD, MG, MK, MN, MW, MX, MZ, NO, NZ, OM, PH, PL, PT, RO, RU, SD, SE, SG, SI, SK, SL, TJ, TM, TN, TR, TT, TZ, UA, UG, UZ, VN, YU, ZA, ZM, ZW.

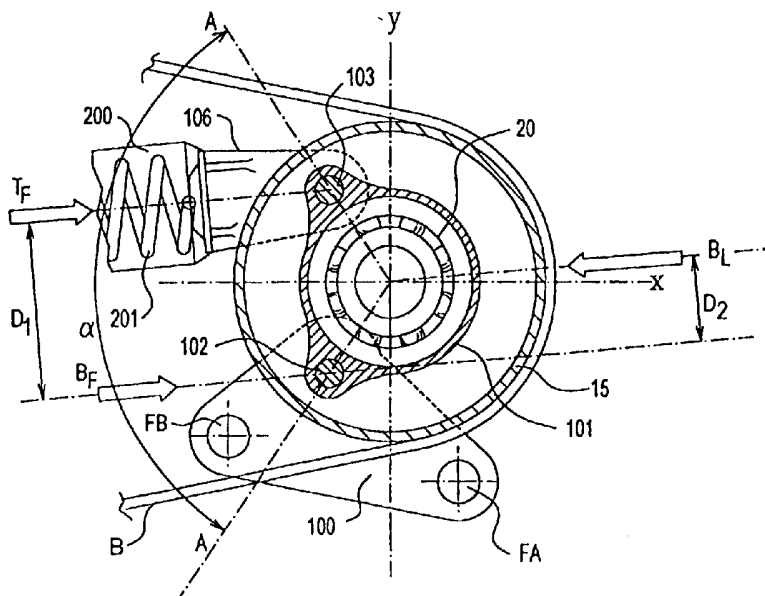
(84) Designated States (*regional*): European patent (AT, BE, CH, CY, DE, DK, ES, FI, FR, GB, GR, IE, IT, LU, MC, NL, PT, SE, TR).

Published:
— with international search report

(88) Date of publication of the international search report:
27 February 2003

For two-letter codes and other abbreviations, refer to the "Guidance Notes on Codes and Abbreviations" appearing at the beginning of each regular issue of the PCT Gazette.

(54) Title: INNER RACE IDLER PULLEY TENSIONER



(57) Abstract: The invention comprises a tensioner having an inner race rotation idler pulley. The pulley having a web and a belt bearing surface connected to the web. The web is attached to an inner race of a bearing by a fastener. The pulley may be stamped out of sheet metal or of spun metal and may have a central hole for alignment with the central axis of the bearing. The outer race of the bearing is mounted to a pivot arm. The pivot arm comprises at least two pivot points for pivotably attaching the pivot arm to a mounting plate and a biasing member. The pivot points are contained within a periphery of the pulley. The biasing member urges the pivot arm and pulley against a belt to be tensioned.



WO 02/073066 A3

INTERNATIONAL SEARCH REPORT

International Application No
PCT/US 02/08186

A. CLASSIFICATION OF SUBJECT MATTER IPC 7 F16H7/08 F16H7/12		
According to International Patent Classification (IPC) or to both national classification and IPC		
B. FIELDS SEARCHED Minimum documentation searched (classification system followed by classification symbols) IPC 7 F16H F16C		
Documentation searched other than minimum documentation to the extent that such documents are included in the fields searched		
Electronic data base consulted during the international search (name of data base and, where practical, search terms used) EPO-Internal, WPI Data, PAJ		
C. DOCUMENTS CONSIDERED TO BE RELEVANT		
Category °	Citation of document, with indication, where appropriate, of the relevant passages	Relevant to claim No.
Y	DE 195 23 647 A (SCHAEFFLER WAEZLAGER KG) 2 January 1997 (1997-01-02) column 2, line 8 - line 49 figures 1,2	1-11
Y	US 5 421 788 A (TOTH GERARD S) 6 June 1995 (1995-06-06) column 3, line 1 -column 4, line 15 figures 2,4	1-5,7-11
Y	US 4 973 290 A (HANS RUEDIGER ET AL) 27 November 1990 (1990-11-27) column 3, line 17 -column 4, line 24 figures 1-3	1-11
	---	-/--
<input checked="" type="checkbox"/> Further documents are listed in the continuation of box C. <input checked="" type="checkbox"/> Patent family members are listed in annex.		
° Special categories of cited documents :		
A document defining the general state of the art which is not considered to be of particular relevance *E* earlier document but published on or after the international filing date *L* document which may throw doubts on priority claim(s) or which is cited to establish the publication date of another citation or other special reason (as specified) *O* document referring to an oral disclosure, use, exhibition or other means *P* document published prior to the international filing date but later than the priority date claimed		*T* later document published after the international filing date or priority date and not in conflict with the application but cited to understand the principle or theory underlying the invention *X* document of particular relevance; the claimed invention cannot be considered novel or cannot be considered to involve an inventive step when the document is taken alone *Y* document of particular relevance; the claimed invention cannot be considered to involve an inventive step when the document is combined with one or more other such documents, such combination being obvious to a person skilled in the art. *&* document member of the same patent family
Date of the actual completion of the international search 4 November 2002		Date of mailing of the international search report 13/11/2002
Name and mailing address of the ISA European Patent Office, P.B. 5818 Patentlaan 2 NL - 2280 HV Rijswijk Tel. (+31-70) 340-2040, Tx. 31 651 epo nl, Fax: (+31-70) 340-3016		Authorized officer Hassiotis, V

INTERNATIONAL SEARCH REPORT

Int: Application No
PCT/US 02/08186

C.(Continuation) DOCUMENTS CONSIDERED TO BE RELEVANT		
Category °	Citation of document, with indication, where appropriate, of the relevant passages	Relevant to claim No.
Y	EP 0 307 100 A (LITENS AUTOMOTIVE INC ;ONTARIO INC 730143 (CA); ONTARIO INC 730144) 15 March 1989 (1989-03-15) column 4, line 54 -column 5, line 3 figure 2	1-11
Y	DE 37 41 860 A (SCHAEFFLER WAE LZLAGER KG) 22 June 1989 (1989-06-22) column 4, line 55 - line 58 figure 2	6
A	DE 197 43 480 A (SCHAEFFLER WAE LZLAGER OHG) 7 May 1998 (1998-05-07) the whole document	1-11

INTERNATIONAL SEARCH REPORT

 International Application No
 PCT/US 02/08186

Patent document cited in search report		Publication date	Patent family member(s)	Publication date
DE 19523647	A	02-01-1997	DE 19523647 A1	02-01-1997
			DE 19680487 C1	22-10-1998
			DE 19680487 D2	19-03-1998
			DE 29520940 U1	30-05-1996
			WO 9701717 A1	16-01-1997
			JP 11508668 T	27-07-1999
			JP 3202242 B2	27-08-2001
			US 6039664 A	21-03-2000
US 5421788	A	06-06-1995	CA 2134806 A1	27-05-1995
US 4973290	A	27-11-1990	DE 3828350 A1	01-03-1990
			FR 2635569 A1	23-02-1990
			GB 2222225 A ,B	28-02-1990
			IT 1232897 B	05-03-1992
			JP 2089839 A	29-03-1990
EP 0307100	A	15-03-1989	US 4816012 A	28-03-1989
			BR 8804372 A	21-03-1989
			CA 1304604 A1	07-07-1992
			DE 3852081 D1	15-12-1994
			DE 3852081 T2	23-03-1995
			EP 0307100 A2	15-03-1989
			ES 2063041 T3	01-01-1995
			JP 1069853 A	15-03-1989
			JP 2882631 B2	12-04-1999
			KR 9502995 B1	29-03-1995
			MX 165897 B	09-12-1992
DE 3741860	A	22-06-1989	DE 3741860 A1	22-06-1989
DE 19743480	A	07-05-1998	DE 19743480 A1	07-05-1998