



US00D417697S

United States Patent [19]

[11] Patent Number: Des. 417,697

Long et al.

[45] Date of Patent: ** Dec. 14, 1999

[54] END PORTION OF A HANGING DATA BINDER

[75] Inventors: Robert J. Long, Lake-In-The Hills; Jeffery S. Lippeth, Grays Lake, both of Ill.

[73] Assignee: ACCO Brands, Inc., Lincolnshire, Ill.

[**] Term: 14 Years

[21] Appl. No.: 29/075,321

[22] Filed: Aug. 28, 1997

[51] LOC (6) Cl. 19-04

[52] U.S. Cl. D19/32; D19/99

[58] Field of Search D19/26, 27, 32, D19/65, 75, 78, 86, 90, 88, 91, 99, 100; 402/4, 80 R, 79; 211/45, 46; 312/183, 184

[56] References Cited

U.S. PATENT DOCUMENTS

D. 206,428	12/1966	Feldmahr	D19/32
D. 240,395	7/1976	Feldmahr	D8/154
1,548,248	8/1925	Binns et al.	.	
1,562,320	11/1925	Farley	.	
3,790,242	2/1974	Sullivan	312/184
3,865,445	2/1975	Dean et al.	312/184
3,957,321	5/1976	Rose	312/184
4,208,146	6/1980	Schudy	402/80 R X
4,288,170	9/1981	Barber	402/17
4,420,086	12/1983	Bardes	211/46
4,445,799	5/1984	Wright et al.	402/4
4,674,637	6/1987	Lovelock et al.	211/46
4,842,435	6/1989	Thomas et al.	402/80 R
4,950,096	8/1990	Gilder	312/184 X
5,199,809	4/1993	Semerjian	402/4
5,393,154	2/1995	Hubbell	402/4
5,738,271	4/1998	Hatano et al.	206/425 X

FOREIGN PATENT DOCUMENTS

1417580	12/1975	United Kingdom	B42F 15/02
2235902	3/1991	United Kingdom	B42F 15/00

OTHER PUBLICATIONS

U.S. Patent Application No. 09/143,448, filed Aug. 28, 1998, entitled "Hanging Data Binder."

Primary Examiner—Martie K. Holtje
Attorney, Agent, or Firm—Pennie & Edmonds LLP

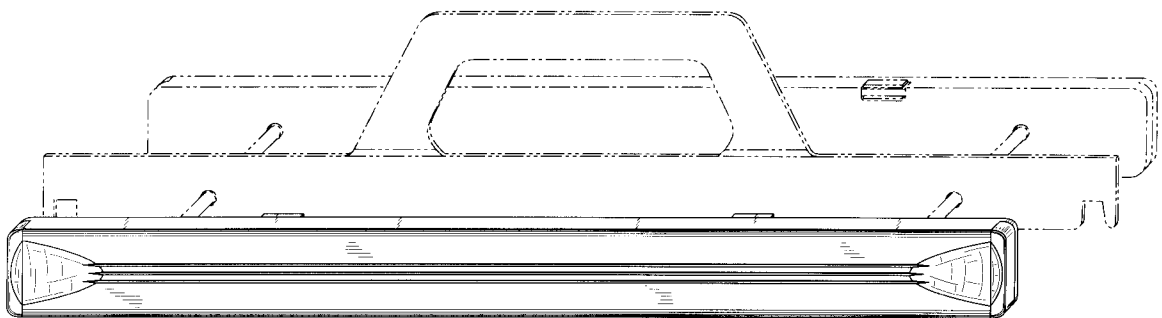
[57] CLAIM

The ornamental design for an end portion of a hanging data binder, as shown and described.

DESCRIPTION

FIG. 1 is a perspective of an end portion of a hanging data binder showing our new design;
 FIG. 2 is a front view thereof;
 FIG. 3 is a rear view thereof;
 FIG. 4 is a top view thereof;
 FIG. 5 is a bottom view thereof;
 FIG. 6 is an end view thereof, the other end view being the same;
 FIG. 7 is a front view thereof in a first extended position;
 FIG. 8 is a rear view thereof;
 FIG. 9 is a top view thereof;
 FIG. 10 is a bottom view thereof;
 FIG. 11 is a front view thereof in a further extended position;
 FIG. 12 is a rear view thereof;
 FIG. 13 is a top view thereof;
 FIG. 14 is a bottom view thereof; and,
 FIG. 15 is a perspective view thereof in an environment.
 The hanging data binder structure depicted by means of broken lines in FIG. 15 has been shown for illustrative purposes only and forms no part of the claimed design.

1 Claim, 8 Drawing Sheets



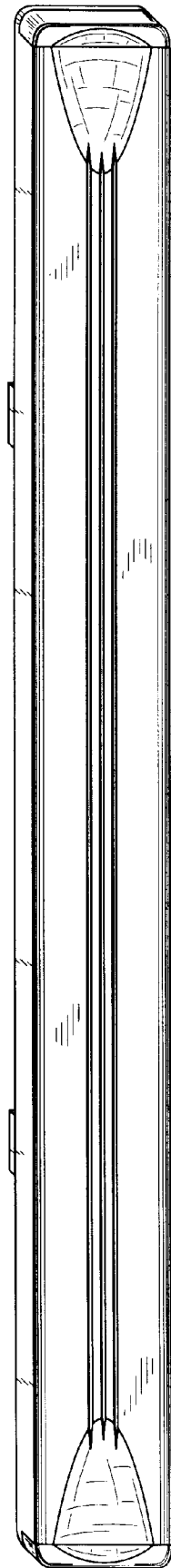


FIG. 1

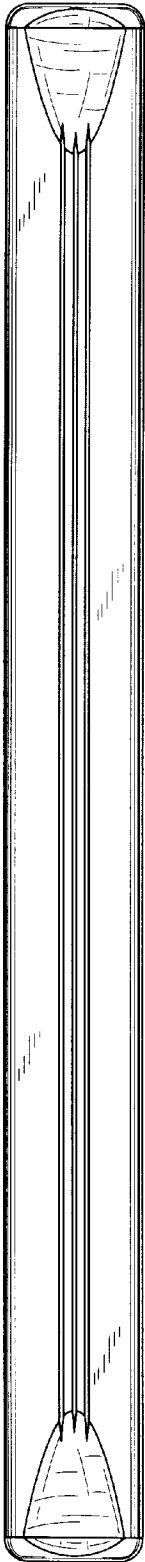


FIG. 2

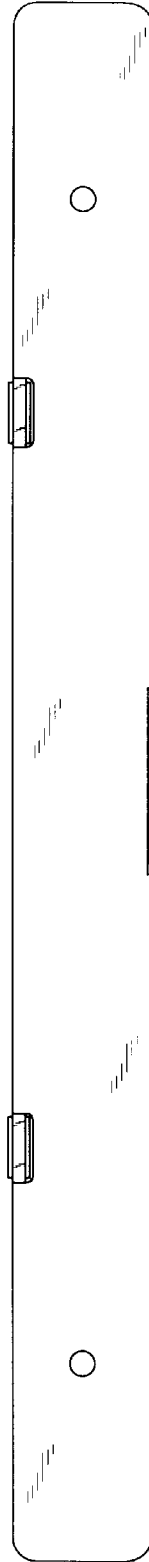


FIG. 3



FIG. 4



FIG. 5



FIG. 6

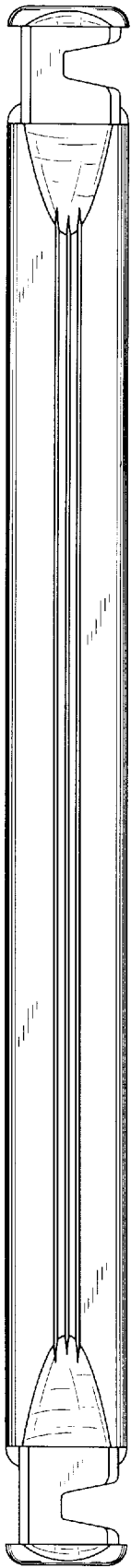


FIG. 7

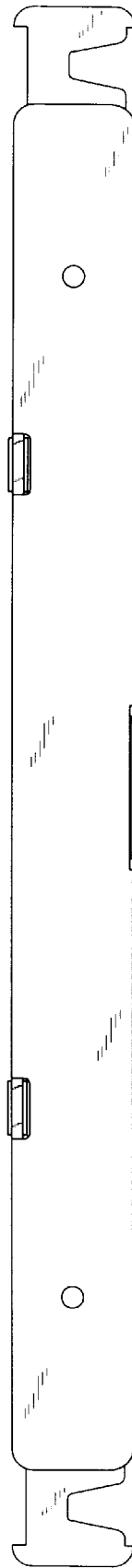


FIG. 8



FIG. 9



FIG. 10

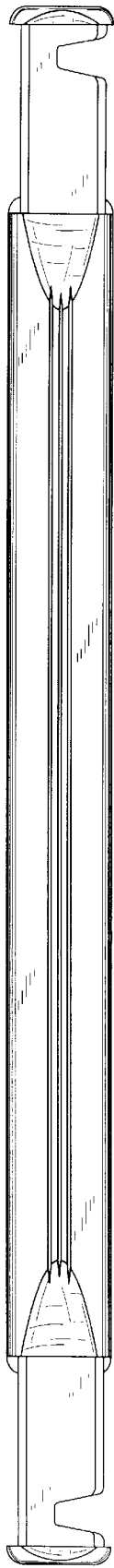


FIG. 11

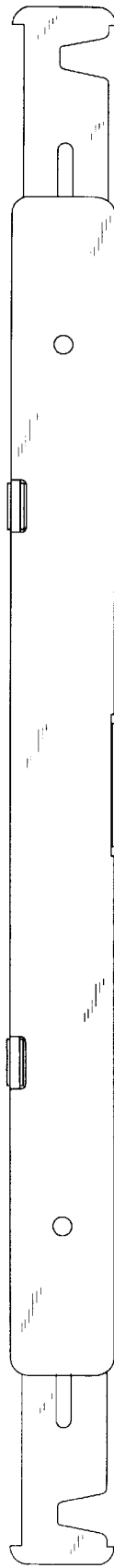


FIG. 12



FIG. 13



FIG. 14

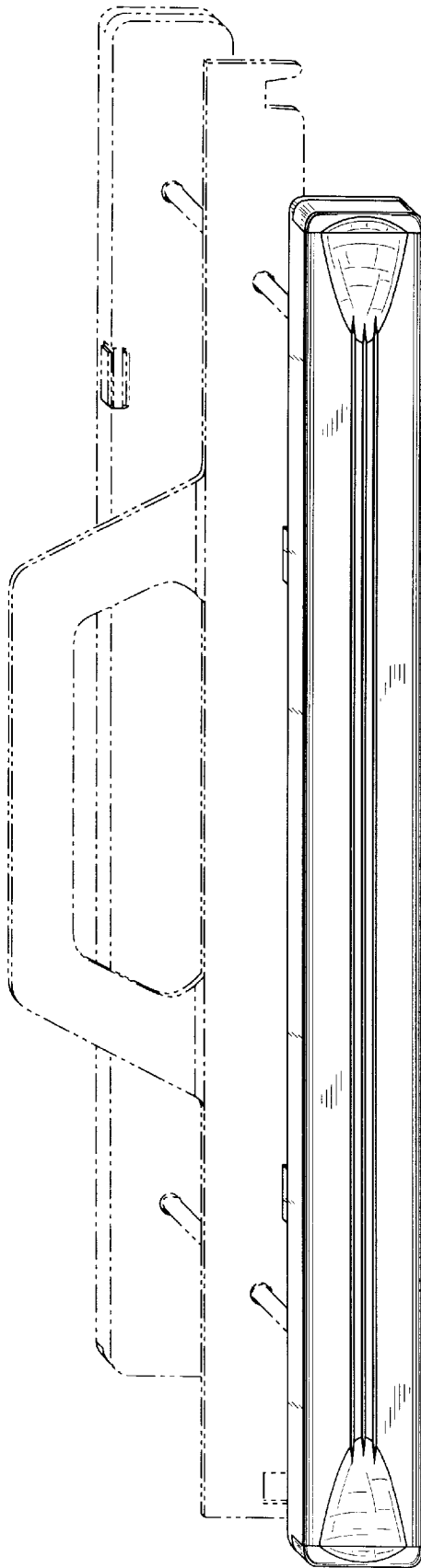


FIG. 15