



US00D346845S

United States Patent [19]

[11] Patent Number: **Des. 346,845**

Sears

[45] Date of Patent: **** May 10, 1994**

[54] **ARCHERY ARROW REST**

[76] Inventor: **Benny Sears**, Rte. 2, Cleveland, Ga.
30528

[**] Term: **14 Years**

[21] Appl. No.: **930,295**

[22] Filed: **Aug. 17, 1992**

[52] U.S. Cl. **D22/107**

[58] Field of Search 33/265, 248; 124/87;
D22/107

4,910,874 3/1990 Busch 33/265

Primary Examiner—A Hugo Word
Assistant Examiner—R. Seifert
Attorney, Agent, or Firm—Hopkins & Thomas

[57] CLAIM

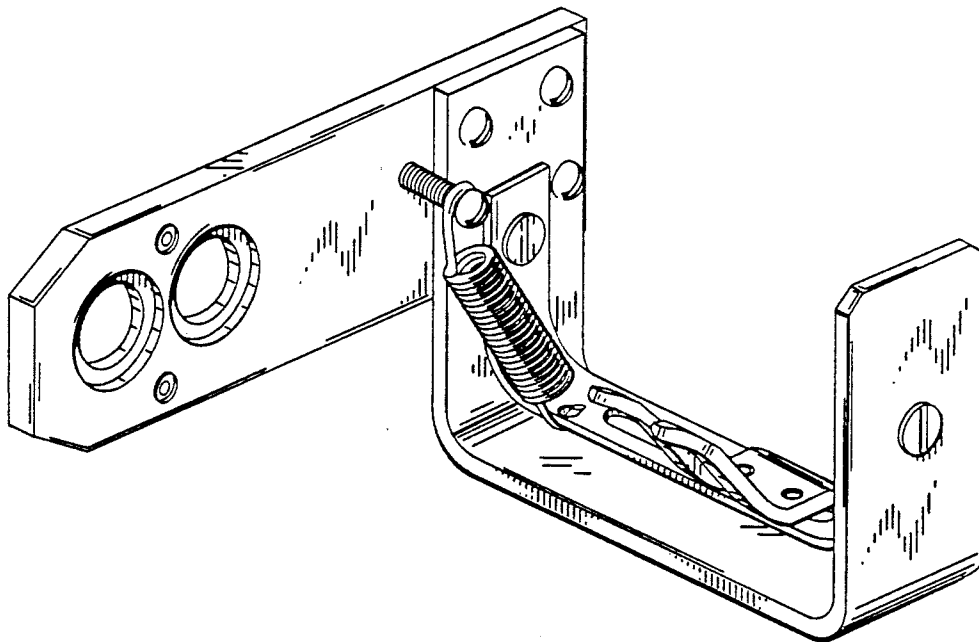
The ornamental design for an archery arrow rest, as shown and described.

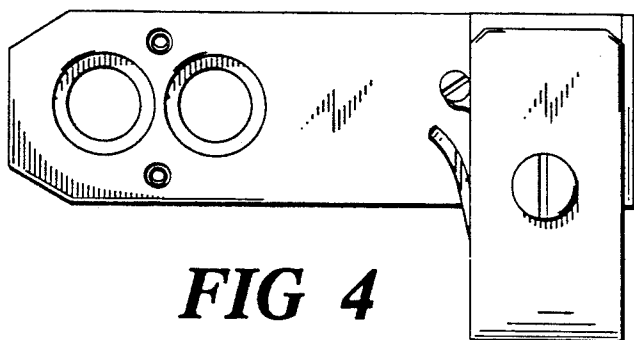
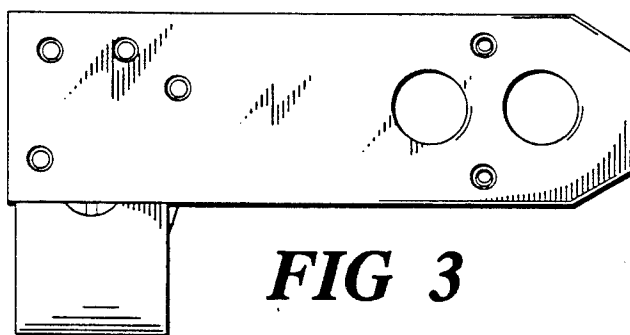
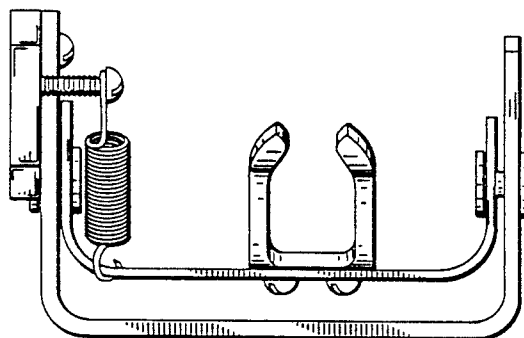
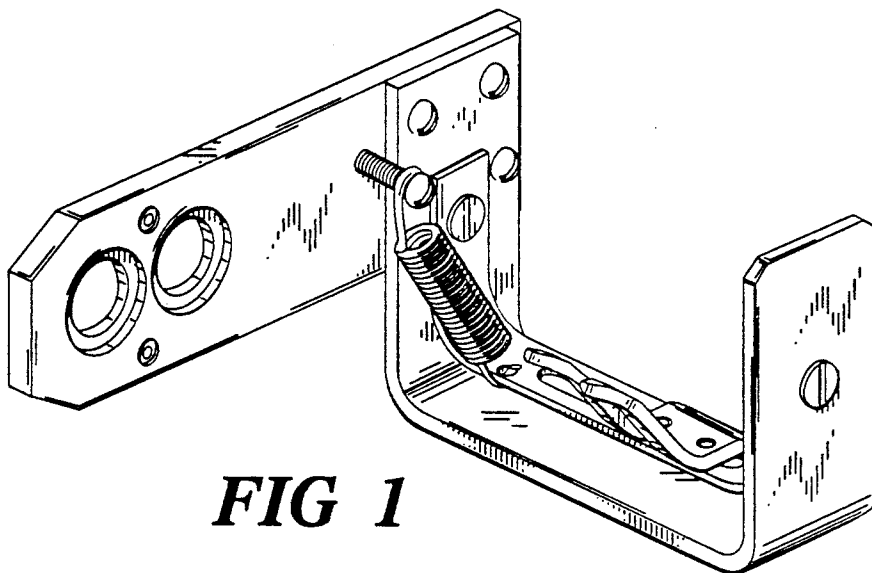
DESCRIPTION

FIG. 1 is a perspective view of an archery arrow rest showing my new design;
 FIG. 2 is a front elevational view thereof;
 FIG. 3 is a left side elevational view thereof;
 FIG. 4 is a right side elevational view thereof;
 FIG. 5 is a rear elevational view thereof;
 FIG. 6 is a top plan view thereof; and,
 FIG. 7 is a bottom plan view thereof.

[56] **References Cited**
U.S. PATENT DOCUMENTS

D. 314,602	2/1991	Grover	D22/107
4,602,437	7/1986	Berthiaume	33/248
4,803,971	2/1989	Fletcher	D22/107
4,899,716	2/1990	Martin et al.	D22/107





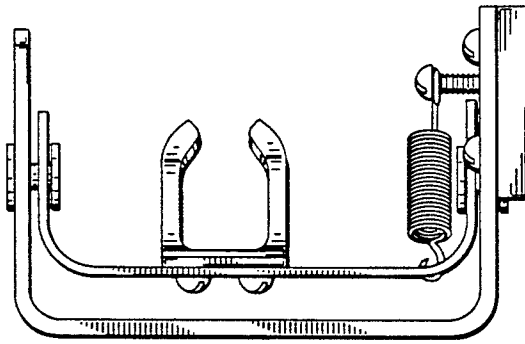


FIG 5

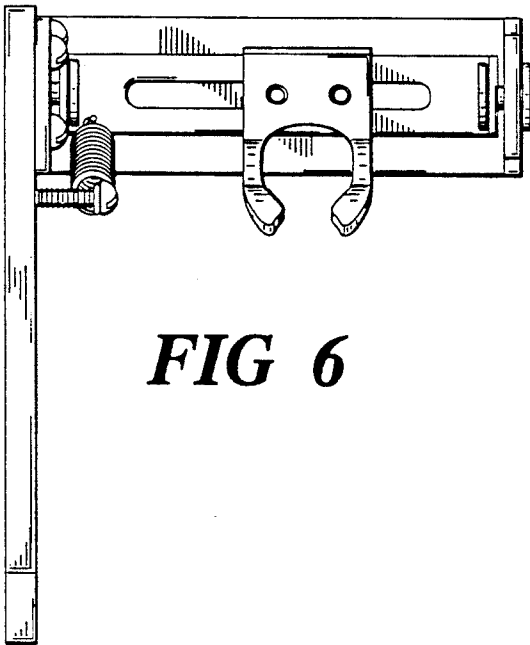


FIG 6

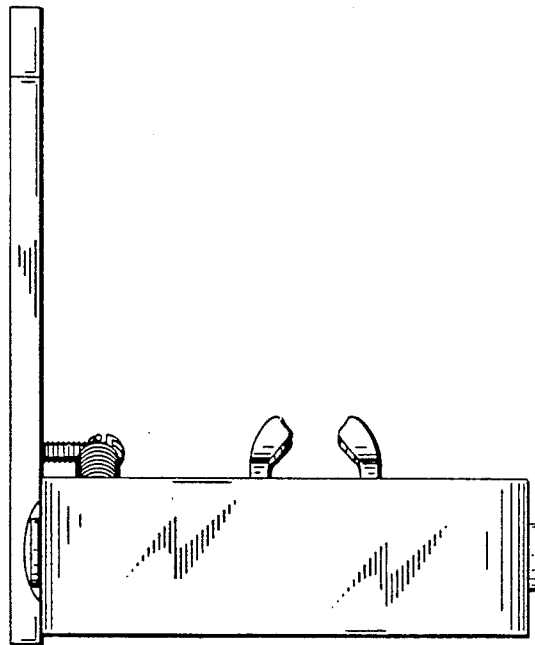


FIG 7