



- (51) International Patent Classification:
F16L 23/18 (2006.01) F16J 15/12 (2006.01)
- (21) International Application Number:
PCT/IB2011/055993
- (22) International Filing Date:
28 December 2011 (28.12.2011)
- (25) Filing Language: English
- (26) Publication Language: English
- (30) Priority Data:
10016168.6 29 December 2010 (29.12.2010) EP
- (71) Applicant (for all designated States except US): **PAMAR-
GAN PRODUCTS LTD** [GB/GB]; 47 Mochdre Enter-
prise Park, Newtown Powys SY16 4LE (GB).
- (72) Inventors; and
- (75) Inventors/Applicants (for US only): **TURNER, Keith**
[GB/GB]; Colonsy, Hillcrest, Aberhafesp, Newtown Powys
SY16 3HL (GB). **JONES, Iwan** [GB/GB]; 88 Sycamore
Drive, Barnfields, Newtown Powys SY16 2QL (GB).
- (74) Agents: **CORRET, H el ene** et al.; Cabinet Ores, 36, rue de
St P etersbourg, F-75008 Paris (FR).
- (81) Designated States (unless otherwise indicated, for every
kind of national protection available): AE, AG, AL, AM,
AO, AT, AU, AZ, BA, BB, BG, BH, BR, BW, BY, BZ,

CA, CH, CL, CN, CO, CR, CU, CZ, DE, DK, DM, DO,
DZ, EC, EE, EG, ES, FI, GB, GD, GE, GH, GM, GT, HN,
HR, HU, ID, IL, IN, IS, JP, KE, KG, KM, KN, KP, KR,
KZ, LA, LC, LK, LR, LS, LT, LU, LY, MA, MD, ME,
MG, MK, MN, MW, MX, MY, MZ, NA, NG, NI, NO, NZ,
OM, PE, PG, PH, PL, PT, QA, RO, RS, RU, RW, SC, SD,
SE, SG, SK, SL, SM, ST, SV, SY, TH, TJ, TM, TN, TR,
TT, TZ, UA, UG, US, UZ, VC, VN, ZA, ZM, ZW.

(84) Designated States (unless otherwise indicated, for every
kind of regional protection available): ARIPO (BW, GH,
GM, KE, LR, LS, MW, MZ, NA, RW, SD, SL, SZ, TZ,
UG, ZM, ZW), Eurasian (AM, AZ, BY, KG, KZ, MD, RU,
TJ, TM), European (AL, AT, BE, BG, CH, CY, CZ, DE,
DK, EE, ES, FI, FR, GB, GR, HR, HU, IE, IS, IT, LT, LU,
LV, MC, MK, MT, NL, NO, PL, PT, RO, RS, SE, SI, SK,
SM, TR), OAPI (BF, BJ, CF, CG, CI, CM, GA, GN, GQ,
GW, ML, MR, NE, SN, TD, TG).

Published:

- with international search report (Art. 21(3))
- before the expiration of the time limit for amending the
claims and to be republished in the event of receipt of
amendments (Rule 48.2(h))

(88) Date of publication of the international search report:
8 November 2012

(54) Title: FLANGE SEAL

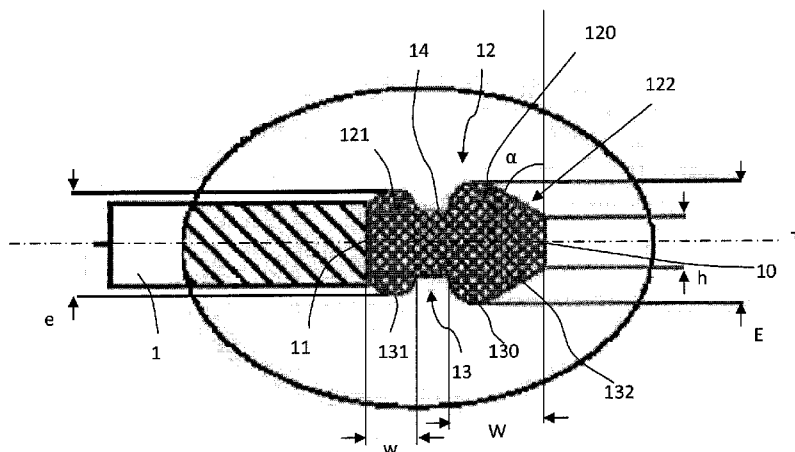


Figure 2

(57) Abstract: A seal for coupling between two flanges comprising : an annular gasket (1) of elastically deformable material present-
ing an axis of revolution and a transverse axis and an outer ring (2) of a non deformable material, the annular gasket comprising, in
cross-section, an inside face (10) facing towards the axis of revolution, an outside face (11) opposite therefrom, connecting the gas-
ket to the outer ring and two side faces (12, 13) for bearing against a flange sealing surface, said side faces interconnecting the inside
and outside faces, and each side face including at least two compressible lobes, an outer lobe (120, 130) close to the outside face
(11) and an inner lobe (120, 130) close to the inside face (10) so as to provide at least two distinct sealing zones when the seal is
mounted between the flanges.



INTERNATIONAL SEARCH REPORT

International application No PCT/IB2011/055993
--

A. CLASSIFICATION OF SUBJECT MATTER INV. F16L23/18 F16J15/12 ADD.				
According to International Patent Classification (IPC) or to both national classification and IPC				
B. FIELDS SEARCHED				
Minimum documentation searched (classification system followed by classification symbols) F16L F16J				
Documentation searched other than minimum documentation to the extent that such documents are included in the fields searched				
Electronic data base consulted during the international search (name of data base and, where practicable, search terms used) EPO-Internal				
C. DOCUMENTS CONSIDERED TO BE RELEVANT				
Category*	Citation of document, with indication, where appropriate, of the relevant passages	Relevant to claim No.		
X	EP 2 226 533 A1 (HUTCHINSON FTS INC [US]) 8 September 2010 (2010-09-08) paragraphs [0021] - [0026], [0028]; figures 3A-6 -----	1-6		
X	FR 2 727 493 A1 (MANULI AUTOMOBILE FRANCE SA [FR]) 31 May 1996 (1996-05-31) page 9, line 35 - page 10, line 26; figures 4,4bis,6 -----	1,2,4,6		
X	FR 2 572 485 A1 (HUTCHINSON [FR]) 2 May 1986 (1986-05-02) page 3, line 24 - page 4, line 26; figures 1,2,5,6 ----- -/--	1,2,4		
<input checked="" type="checkbox"/> Further documents are listed in the continuation of Box C. <input checked="" type="checkbox"/> See patent family annex.				
* Special categories of cited documents : <table style="width: 100%; border: none;"> <tr> <td style="width: 50%; border: none; vertical-align: top;"> "A" document defining the general state of the art which is not considered to be of particular relevance "E" earlier application or patent but published on or after the international filing date "L" document which may throw doubts on priority claim(s) or which is cited to establish the publication date of another citation or other special reason (as specified) "O" document referring to an oral disclosure, use, exhibition or other means "P" document published prior to the international filing date but later than the priority date claimed </td> <td style="width: 50%; border: none; vertical-align: top;"> "T" later document published after the international filing date or priority date and not in conflict with the application but cited to understand the principle or theory underlying the invention "X" document of particular relevance; the claimed invention cannot be considered novel or cannot be considered to involve an inventive step when the document is taken alone "Y" document of particular relevance; the claimed invention cannot be considered to involve an inventive step when the document is combined with one or more other such documents, such combination being obvious to a person skilled in the art "&" document member of the same patent family </td> </tr> </table>			"A" document defining the general state of the art which is not considered to be of particular relevance "E" earlier application or patent but published on or after the international filing date "L" document which may throw doubts on priority claim(s) or which is cited to establish the publication date of another citation or other special reason (as specified) "O" document referring to an oral disclosure, use, exhibition or other means "P" document published prior to the international filing date but later than the priority date claimed	"T" later document published after the international filing date or priority date and not in conflict with the application but cited to understand the principle or theory underlying the invention "X" document of particular relevance; the claimed invention cannot be considered novel or cannot be considered to involve an inventive step when the document is taken alone "Y" document of particular relevance; the claimed invention cannot be considered to involve an inventive step when the document is combined with one or more other such documents, such combination being obvious to a person skilled in the art "&" document member of the same patent family
"A" document defining the general state of the art which is not considered to be of particular relevance "E" earlier application or patent but published on or after the international filing date "L" document which may throw doubts on priority claim(s) or which is cited to establish the publication date of another citation or other special reason (as specified) "O" document referring to an oral disclosure, use, exhibition or other means "P" document published prior to the international filing date but later than the priority date claimed	"T" later document published after the international filing date or priority date and not in conflict with the application but cited to understand the principle or theory underlying the invention "X" document of particular relevance; the claimed invention cannot be considered novel or cannot be considered to involve an inventive step when the document is taken alone "Y" document of particular relevance; the claimed invention cannot be considered to involve an inventive step when the document is combined with one or more other such documents, such combination being obvious to a person skilled in the art "&" document member of the same patent family			
Date of the actual completion of the international search	Date of mailing of the international search report			
3 September 2012	11/09/2012			
Name and mailing address of the ISA/ European Patent Office, P.B. 5818 Patentlaan 2 NL - 2280 HV Rijswijk Tel. (+31-70) 340-2040, Fax: (+31-70) 340-3016	Authorized officer Mauriès, Laurent			

INTERNATIONAL SEARCH REPORT

International application No
PCT/IB2011/055993

C(Continuation). DOCUMENTS CONSIDERED TO BE RELEVANT		
Category*	Citation of document, with indication, where appropriate, of the relevant passages	Relevant to claim No.
X	EP 0 921 343 A2 (FISCHER GEORG ROHRLEITUNG [CH]) 9 June 1999 (1999-06-09) paragraph [0011] - paragraph [0015]; figures 1-3 -----	1-4
X	WO 03/016756 A2 (PARKER HANNIFIN CORP [US]; KENT EDWIN J JR [US]; PEDDLE DARRON G [US]) 27 February 2003 (2003-02-27) page 10, line 21 - page 11, line 21; figures 1,2 -----	1,6-8
X	US 6 598 883 B1 (HAMMI RAY J [US] ET AL) 29 July 2003 (2003-07-29) column 5, line 47 - column 6, line 64; figures 1,2 -----	1,2,4
X	US 3 531 133 A (SHEESLEY JOHN M ET AL) 29 September 1970 (1970-09-29) column 2, line 59 - column 3, line 19; figures 7-14 -----	1,2,5,6

INTERNATIONAL SEARCH REPORT

Information on patent family members

International application No PCT/IB2011/055993

Patent document cited in search report	Publication date	Patent family member(s)	Publication date
EP 2226533	A1	08-09-2010	EP 2226533 A1 08-09-2010 US 2010225110 A1 09-09-2010
FR 2727493	A1	31-05-1996	NONE
FR 2572485	A1	02-05-1986	DE 3573462 D1 09-11-1989 EP 0187554 A1 16-07-1986 FR 2572485 A1 02-05-1986
EP 0921343	A2	09-06-1999	NONE
WO 03016756	A2	27-02-2003	AU 2002324725 A1 03-03-2003 US 2004239047 A1 02-12-2004 US 2007013140 A1 18-01-2007 US 2010019455 A1 28-01-2010 WO 03016756 A2 27-02-2003
US 6598883	B1	29-07-2003	AU 4945701 A 30-10-2001 EP 1272781 A2 08-01-2003 NO 20024900 A 11-12-2002 US 6460859 B1 08-10-2002 US 6598883 B1 29-07-2003 WO 0179730 A2 25-10-2001
US 3531133	A	29-09-1970	NONE