

(19) World Intellectual Property Organization
International Bureau



(43) International Publication Date
28 May 2009 (28.05.2009)

PCT

(10) International Publication Number
WO 2009/067479 A3

(51) International Patent Classification:

H01L 31/052 (2006.01) F24J 2/06 (2006.01)
H01L 31/055 (2006.01) G02B 6/00 (2006.01)

(21) International Application Number:

PCT/US2008/083973

(22) International Filing Date:

19 November 2008 (19.11.2008)

(25) Filing Language:

English

(26) Publication Language:

English

(30) Priority Data:

60/989,229 20 November 2007 (20.11.2007) US
12/255,140 21 October 2008 (21.10.2008) US

(71) Applicant (for all designated States except US): **SABIC INNOVATIVE PLASTICS IP B.V.** [NL/NL]; Plastic-slaan 1, NL-4612 PX Bergen op Zoom (NL).

(72) Inventors; and

(75) Inventors/Applicants (for US only): **BROUNNE, Marcel** [NL/NL]; Vuurvlinder 44, NL-4814 TN Breda (NL). **WANG, Huashan** [GB/US]; 36 Tamie Way, Pittsfield, Massachusetts 01201 (US).

(74) Agent: **DESIMONE, Patricia**; Cantor Colburn LLP, 20 Church Street, 22nd Floor, Hartford, Connecticut 06103 (US).

(81) Designated States (unless otherwise indicated, for every kind of national protection available): AE, AG, AL, AM, AO, AT, AU, AZ, BA, BB, BG, BH, BR, BW, BY, BZ, CA, CH, CN, CO, CR, CU, CZ, DE, DK, DM, DO, DZ, EC, EE, EG, ES, FI, GB, GD, GE, GH, GM, GT, HN,

HR, HU, ID, IL, IN, IS, JP, KE, KG, KM, KN, KP, KR, KZ, LA, LC, LK, LR, LS, LT, LU, LY, MA, MD, ME, MG, MK, MN, MW, MX, MY, MZ, NA, NG, NI, NO, NZ, OM, PG, PH, PL, PT, RO, RS, RU, SC, SD, SE, SG, SK, SL, SM, ST, SV, SY, TJ, TM, TN, TR, TT, TZ, UA, UG, US, UZ, VC, VN, ZA, ZM, ZW.

(84) Designated States (unless otherwise indicated, for every kind of regional protection available): ARIPO (BW, GH, GM, KE, LS, MW, MZ, NA, SD, SL, SZ, TZ, UG, ZM, ZW), Eurasian (AM, AZ, BY, KG, KZ, MD, RU, TJ, TM), European (AT, BE, BG, CH, CY, CZ, DE, DK, EE, ES, FI, FR, GB, GR, HR, HU, IE, IS, IT, LT, LU, LV, MC, MT, NL, NO, PL, PT, RO, SE, SI, SK, TR), OAPI (BF, BJ, CF, CG, CI, CM, GA, GN, GQ, GW, ML, MR, NE, SN, TD, TG).

Declarations under Rule 4.17:

- as to applicant's entitlement to apply for and be granted a patent (Rule 4.17(ii))
- as to the applicant's entitlement to claim the priority of the earlier application (Rule 4.17(iii))

Published:

- with international search report (Art. 21(3))
- before the expiration of the time limit for amending the claims and to be republished in the event of receipt of amendments (Rule 48.2(h))

(88) Date of publication of the international search report:
24 September 2009

(54) Title: LUMINESCENT SOLAR CONCENTRATORS

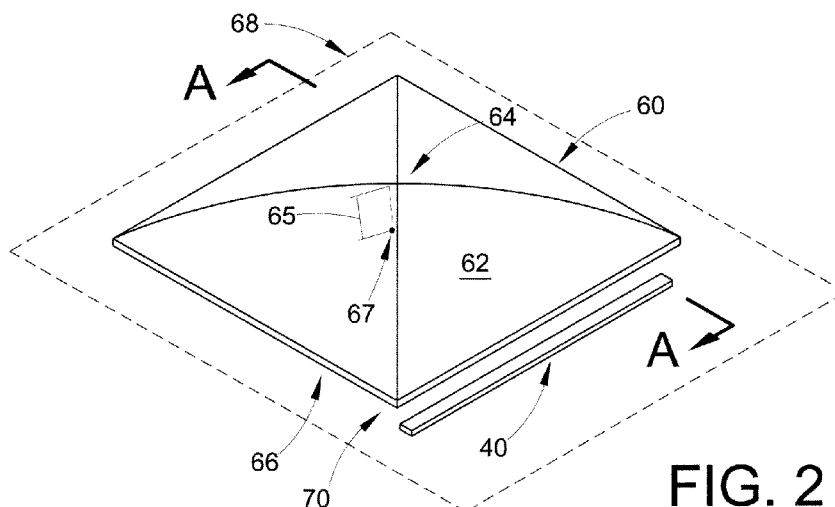


FIG. 2

(57) Abstract: A luminescent solar concentrator comprises a primary waveguide (60) and at least one photovoltaic cell (46). The primary waveguide has a curved surface (62) which concentrates light on a perimeter. The photovoltaic cell is oriented at the perimeter so that it can both receive the concentrated light and receive direct light as well. A back sheet may be provided that provides structural support and protection. The perimeter may have the shape of a polygon where a photovoltaic cell is oriented along each edge. Modules and arrays of such units are also disclosed.

WO 2009/067479 A3

INTERNATIONAL SEARCH REPORT

International application No
PCT/US2008/083973

A. CLASSIFICATION OF SUBJECT MATTER
 INV. H01L31/052 H01L31/055 F24J2/06 G02B6/00

According to International Patent Classification (IPC) or to both national classification and IPC

B. FIELDS SEARCHED
 Minimum documentation searched (classification system followed by classification symbols)
 F24J G02B H01L

Documentation searched other than minimum documentation to the extent that such documents are included in the fields searched

Electronic data base consulted during the international search (name of data base and, where practical, search terms used)
 EPO-Internal

C. DOCUMENTS CONSIDERED TO BE RELEVANT

Category*	Citation of document, with indication, where appropriate, of the relevant passages	Relevant to claim No.
Y	US 4 227 939 A (ZEWAIL AHMED H ET AL) 14 October 1980 (1980-10-14) the whole document	1-27
Y	US 4 164 432 A (BOLING NORMAN L [US]) 14 August 1979 (1979-08-14) the whole document	1-27
Y	US 4 153 813 A (BLIEDEN HARRY R ET AL) 8 May 1979 (1979-05-08) the whole document	1-27
A	DE 10 2006 000682 A1 (AURICH JOACHIM [DE]) 12 July 2007 (2007-07-12) the whole document	1-27
	-/--	

Further documents are listed in the continuation of Box C. See patent family annex.

* Special categories of cited documents :

A document defining the general state of the art which is not considered to be of particular relevance	*T* later document published after the international filing date or priority date and not in conflict with the application but cited to understand the principle or theory underlying the invention
E earlier document but published on or after the international filing date	*X* document of particular relevance; the claimed invention cannot be considered novel or cannot be considered to involve an inventive step when the document is taken alone
L document which may throw doubts on priority claim(s) or which is cited to establish the publication date of another citation or other special reason (as specified)	*Y* document of particular relevance; the claimed invention cannot be considered to involve an inventive step when the document is combined with one or more other such documents, such combination being obvious to a person skilled in the art.
O document referring to an oral disclosure, use, exhibition or other means	*&* document member of the same patent family
P document published prior to the international filing date but later than the priority date claimed	

Date of the actual completion of the international search 10 August 2009	Date of mailing of the international search report 18/08/2009
---	--

Name and mailing address of the ISA/ European Patent Office, P.B. 5818 Patentlaan 2 NL - 2280 HV Rijswijk Tel. (+31-70) 340-2040, Fax: (+31-70) 340-3016	Authorized officer Rosello Garcia, M
--	---

INTERNATIONAL SEARCH REPORT

International application No

PCT/US2008/083973

C(Continuation). DOCUMENTS CONSIDERED TO BE RELEVANT		
Category*	Citation of document, with indication, where appropriate, of the relevant passages	Relevant to claim No.
T	GOETZBERGER A ET AL: "SOLAR ENERGY CONVERSION WITH FLUORESCENT COLLECTORS" APPLIED PHYSICS,, vol. 14, 1 October 1977 (1977-10-01), pages 123-139, XP009082077 ISSN: 0340-3793 the whole document -----	1-27

INTERNATIONAL SEARCH REPORT

Information on patent family members

International application No

PCT/US2008/083973

Patent document cited in search report		Publication date	Patent family member(s)	Publication date
US 4227939	A	14-10-1980	NONE	
US 4164432	A	14-08-1979	NONE	
US 4153813	A	08-05-1979	NONE	
DE 102006000682	A1	12-07-2007	NONE	