



US00D365260S

United States Patent [19]

Austinson et al.

[11] Patent Number: Des. 365,260

[45] Date of Patent: **Dec. 19, 1995

[54] TOOL FOR BENDING REBAR

[76] Inventors: **Mark E. Austinson**, 62 NW. Birdsdale, Gresham, Oreg. 97010; **Craig G. Austinson**, 7930 SE. Clark, Gresham, Oreg. 97080

[**] Term: 14 Years

[21] Appl. No.: 26,699

[22] Filed: Aug. 4, 1994

[52] U.S. Cl. D8/32

[58] Field of Search D8/14, 32, 51; 72/389

[56] References Cited

U.S. PATENT DOCUMENTS

D. 240,005	5/1976	Humphreys	D8/32
4,077,249	3/1978	Schmitter	72/389
4,594,875	6/1986	Schmitter	72/389
4,989,441	2/1991	Wagner	72/389

FOREIGN PATENT DOCUMENTS

658003 10/1951 United Kingdom 72/389

Primary Examiner—Ted Shooman
Assistant Examiner—Richelle Shelton
Attorney, Agent, or Firm—Olson & Olson

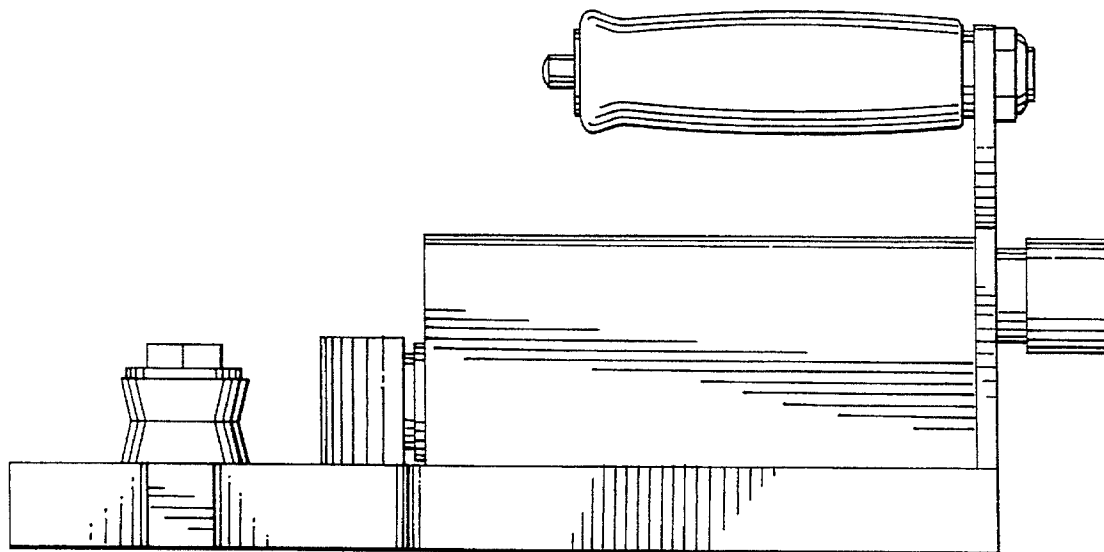
[57] CLAIM

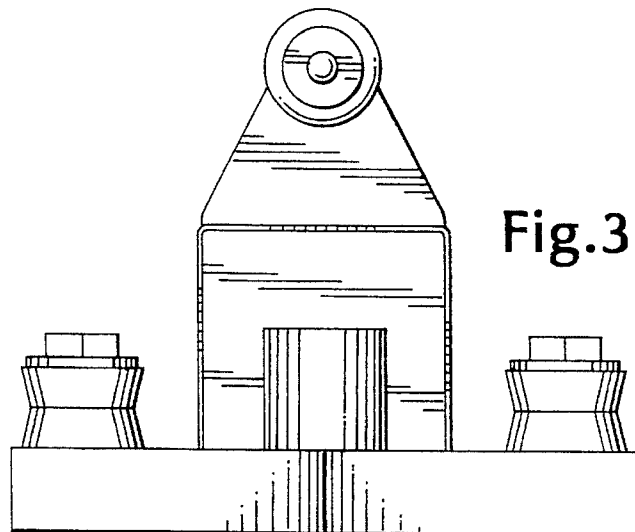
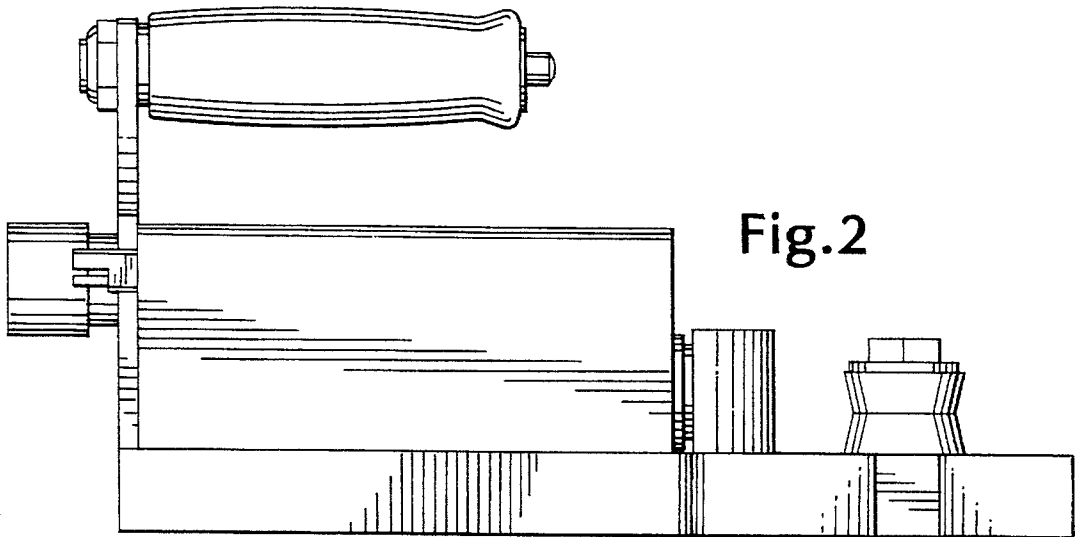
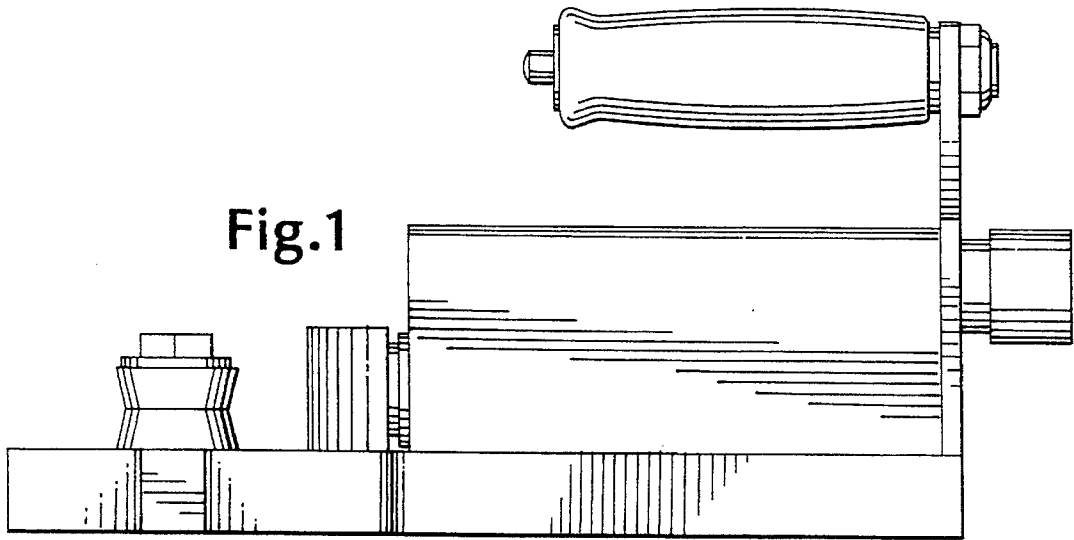
The ornamental design for a tool for bending rebar, as shown and described.

DESCRIPTION

FIG. 1 is a front elevation view of a tool for bending rebar showing our new design; FIG. 2 is a rear elevation view thereof; FIG. 3 is a left side elevation view thereof; FIG. 4 is a right side elevation view thereof; FIG. 5 is a top plan view thereof; and, FIG. 6 is a bottom plan view thereof.

1 Claim, 2 Drawing Sheets





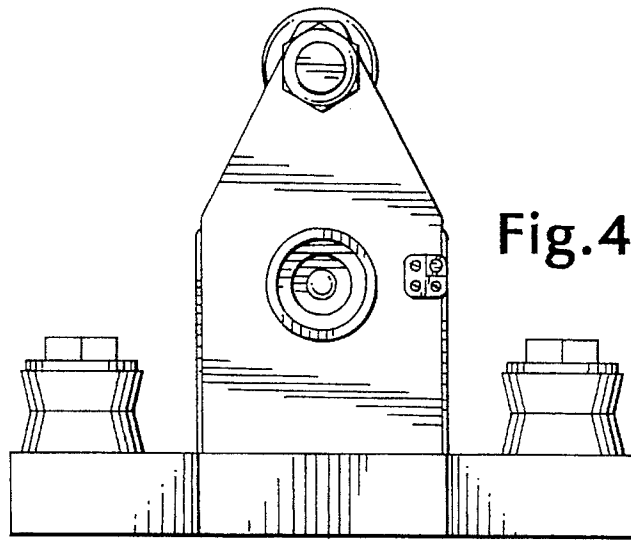


Fig. 4

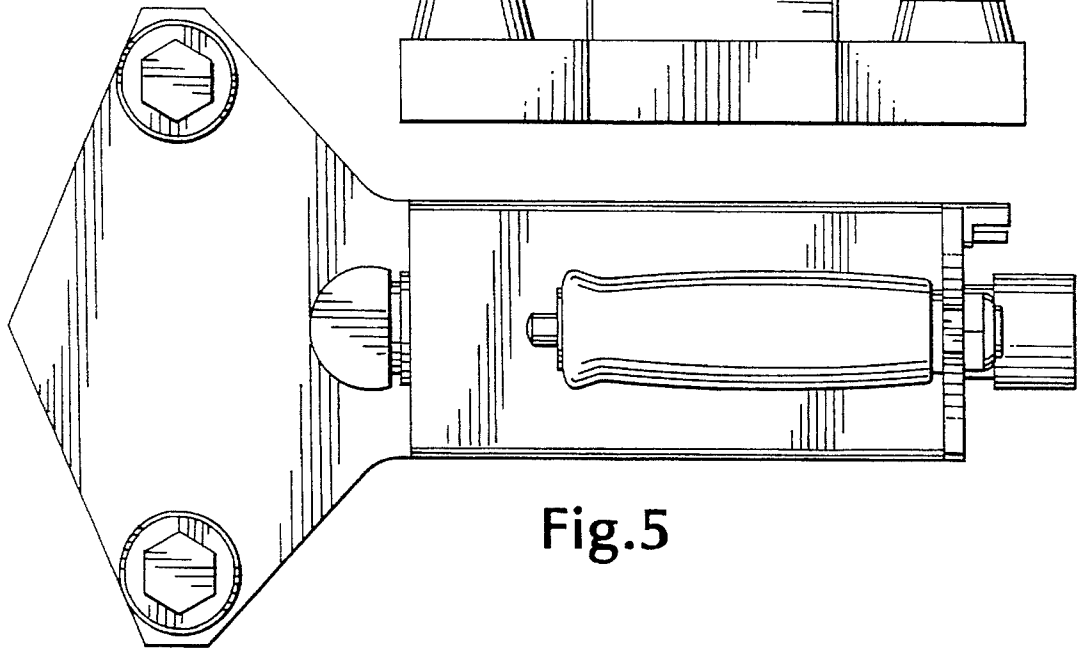


Fig. 5

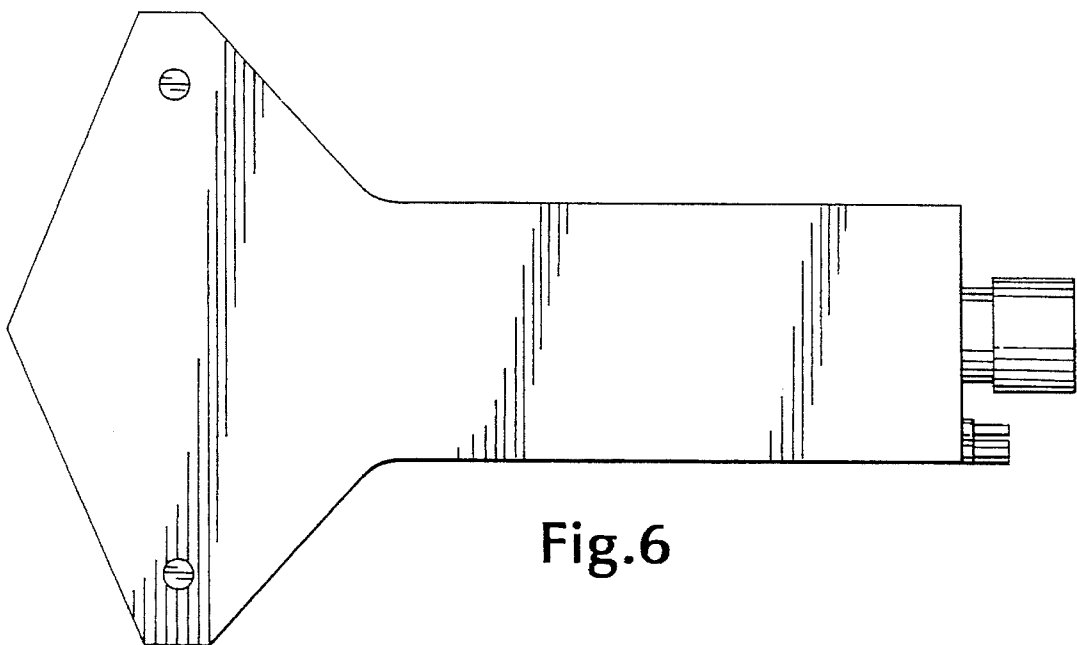


Fig. 6