

(19) World Intellectual Property Organization
International Bureau



(43) International Publication Date
15 July 2010 (15.07.2010)

PCT

(10) International Publication Number
WO 2010/079111 A3

(51) International Patent Classification:
F25D 23/02 (2006.01)

(21) International Application Number:
PCT/EP2009/068013

(22) International Filing Date:
30 December 2009 (30.12.2009)

(25) Filing Language: English

(26) Publication Language: English

(30) Priority Data:
200910028341.9 8 January 2009 (08.01.2009) CN

(71) Applicant (for all designated States except US): **BSH BOSCH UND SIEMENS HAUSGERÄTE GMBH** [DE/DE]; Carl-Wery-Str. 34, 81739 München (DE).

(72) Inventors; and

(75) Inventors/Applicants (for US only): **BAI, Yufa** [CN/CN]; No.1 Ximenzi Road, Anhui, Chuzhou 239016 (CN). **MA, Jingdong** [CN/CN]; No. 1 Ximenzi Lu Chuzhou, Anhui, Chuzhou 239016 (CN). **REN, Xi-aoguang** [CN/CN]; No. 1 Ximenzi Road, Anhui, Chuzhou 239016 (CN). **ZHAO, Shiyong** [CN/CN]; No. 1 Ximenzi Lu, Anhui, Chuzhou 239016 (CN).

(74) Common Representative: **BSH BOSCH UND SIEMENS HAUSGERÄTE GMBH**; 83 01 01, 81701 München (DE).

(81) Designated States (unless otherwise indicated, for every kind of national protection available): AE, AG, AL, AM, AO, AT, AU, AZ, BA, BB, BG, BH, BR, BW, BY, BZ, CA, CH, CL, CN, CO, CR, CU, CZ, DE, DK, DM, DO, DZ, EC, EE, EG, ES, FI, GB, GD, GE, GH, GM, GT, HN, HR, HU, ID, IL, IN, IS, JP, KE, KG, KM, KN, KP, KR, KZ, LA, LC, LK, LR, LS, LT, LU, LY, MA, MD, ME, MG, MK, MN, MW, MX, MY, MZ, NA, NG, NI, NO, NZ, OM, PE, PG, PH, PL, PT, RO, RS, RU, SC, SD, SE, SG, SK, SL, SM, ST, SV, SY, TH, TJ, TM, TN, TR, TT, TZ, UA, UG, US, UZ, VC, VN, ZA, ZM, ZW.

(84) Designated States (unless otherwise indicated, for every kind of regional protection available): ARIPO (BW, GH, GM, KE, LS, MW, MZ, NA, SD, SL, SZ, TZ, UG, ZM, ZW), Eurasian (AM, AZ, BY, KG, KZ, MD, RU, TJ, TM), European (AT, BE, BG, CH, CY, CZ, DE, DK, EE, ES, FI, FR, GB, GR, HR, HU, IE, IS, IT, LT, LU, LV, MC, MK, MT, NL, NO, PL, PT, RO, SE, SI, SK, SM, TR), OAPI (BF, BJ, CF, CG, CI, CM, GA, GN, GQ, GW, ML, MR, NE, SN, TD, TG).

Published:

— with international search report (Art. 21(3))

[Continued on next page]

(54) Title: REFRIGERATOR

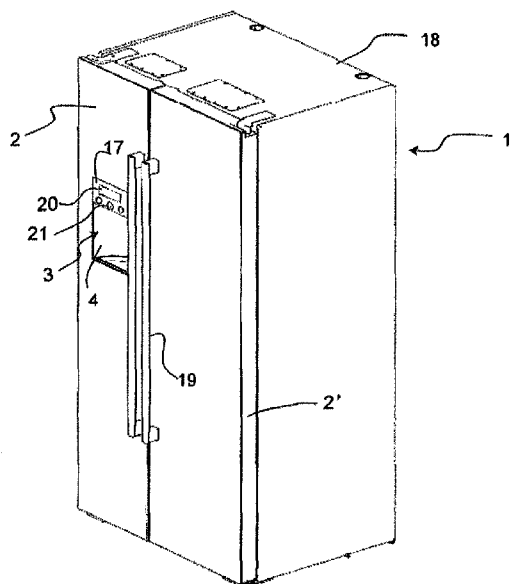


Figure 1

(57) Abstract: The present invention relates to a refrigerator. The refrigerator comprises a door (2) and a dispenser (3) mounted on the door (2). The door (2) comprises a front panel (5) forming at least a part of the door's front surface. The front panel (5) has a through-hole (6) which at least partially corresponds to the dispenser (3). According to the principle of the present invention, the front panel (5) is a glass plate, and comprises an upper region (7) above the through-hole (6), a lower region (8) below the through-hole (6) and side regions (9a, 9b) which are located between the upper region (7) and the lower region (8) and which connect with the upper region (7) and the lower region (8).



WO 2010/079111 A3



— *before the expiration of the time limit for amending the claims and to be republished in the event of receipt of amendments (Rule 48.2(h))*

(88) Date of publication of the international search report:
9 December 2010

INTERNATIONAL SEARCH REPORT

International application No

PCT/EP2009/068013

A. CLASSIFICATION OF SUBJECT MATTER

INV. F25D23/02

ADD.

According to International Patent Classification (IPC) or to both national classification and IPC

B. FIELDS SEARCHED

Minimum documentation searched (classification system followed by classification symbols)

F25D

Documentation searched other than minimum documentation to the extent that such documents are included in the fields searched

Electronic data base consulted during the international search (name of data base and, where practical, search terms used)

EPO-Internal

C. DOCUMENTS CONSIDERED TO BE RELEVANT

Category*	Citation of document, with indication, where appropriate, of the relevant passages	Relevant to claim No.
X	DE 10 2005 057161 A1 (BSH BOSCH SIEMENS HAUSGERAETE [DE]) 31 May 2007 (2007-05-31) paragraph [0023] - paragraph [0042]; figures 1-4	1-14
A	JP 5 322436 A (MATSUSHITA REFRIGERATION) 7 December 1993 (1993-12-07) * abstract; figures 1-9	1-14
A	JP 2005 180790 A (SANYO ELECTRIC CO) 7 July 2005 (2005-07-07) * abstract; figure 3	1-14
A	JP 2006 046793 A (MATSUSHITA ELECTRIC IND CO LTD) 16 February 2006 (2006-02-16) paragraph [0027]; figures 1-8	1-14
	-/--	

 Further documents are listed in the continuation of Box C. See patent family annex.

* Special categories of cited documents :

"A" document defining the general state of the art which is not considered to be of particular relevance

"E" earlier document but published on or after the international filing date

"L" document which may throw doubts on priority claim(s) or which is cited to establish the publication date of another citation or other special reason (as specified)

"O" document referring to an oral disclosure, use, exhibition or other means

"P" document published prior to the international filing date but later than the priority date claimed

"T" later document published after the international filing date or priority date and not in conflict with the application but cited to understand the principle or theory underlying the invention

"X" document of particular relevance; the claimed invention cannot be considered novel or cannot be considered to involve an inventive step when the document is taken alone

"Y" document of particular relevance; the claimed invention cannot be considered to involve an inventive step when the document is combined with one or more other such documents, such combination being obvious to a person skilled in the art.

"&" document member of the same patent family

Date of the actual completion of the international search

12 October 2010

Date of mailing of the international search report

20/10/2010

Name and mailing address of the ISA/

European Patent Office, P.B. 5818 Patentlaan 2
NL - 2280 HV Rijswijk
Tel. (+31-70) 340-2040,
Fax: (+31-70) 340-3016

Authorized officer

Amous, Moez

INTERNATIONAL SEARCH REPORT

International application No

PCT/EP2009/068013

C(Continuation). DOCUMENTS CONSIDERED TO BE RELEVANT		
Category*	Citation of document, with indication, where appropriate, of the relevant passages	Relevant to claim No.
A	WO 2005/045334 A1 (MATSUSHITA ELECTRIC IND CO LTD [JP]; MORIUCHI TOSHIYUKI) 19 May 2005 (2005-05-19) paragraph [0007] - paragraph [0020]; figures 4,5 -----	1-14

INTERNATIONAL SEARCH REPORT

Information on patent family members

International application No

PCT/EP2009/068013

Patent document cited in search report	Publication date	Patent family member(s)	Publication date
DE 102005057161 A1	31-05-2007	CN 101317055 A	03-12-2008
		EP 1957905 A2	20-08-2008
		WO 2007062951 A2	07-06-2007
		US 2009282856 A1	19-11-2009
JP 5322436 A	07-12-1993	NONE	
JP 2005180790 A	07-07-2005	NONE	
JP 2006046793 A	16-02-2006	NONE	
WO 2005045334 A1	19-05-2005	CN 1864041 A	15-11-2006
		JP 2005140408 A	02-06-2005