



US00D746188S

(12) **United States Design Patent**  
**Nakagawa et al.**

(10) **Patent No.:** **US D746,188 S**

(45) **Date of Patent:** **\*\* Dec. 29, 2015**

(54) **REAR BUMPER FOR AUTOMOBILE**

(71) Applicant: **Nissan Motor Co., Ltd.**, Yokohama,  
Kanagawa (JP)

(72) Inventors: **Shinichi Nakagawa**, Kanagawa (JP);  
**Yoshihiro Okada**, Kanagawa (JP)

(73) Assignee: **Nissan Motor Co., Ltd.**, Yokohama (JP)

(\*\*) Term: **14 Years**

(21) Appl. No.: **29/502,823**

(22) Filed: **Sep. 19, 2014**

(30) **Foreign Application Priority Data**

Mar. 19, 2014 (JP) ..... 2014-005800

(51) **LOC (10) Cl.** ..... **12-16**

(52) **U.S. Cl.**  
USPC ..... **D12/169**

(58) **Field of Classification Search**  
USPC ..... D12/169, 216, 90-92, 86, 171, 196,  
D12/163; 293/102, 113, 115, 117, 120;  
296/180.1, 180.2  
CPC . B60R 19/52; B60R 2019/25; B62D 25/0845  
See application file for complete search history.

(56) **References Cited**

U.S. PATENT DOCUMENTS

D598,824 S *	8/2009	Bauer et al. ....	D12/169
D610,504 S *	2/2010	Bucher et al. ....	D12/169
D630,976 S *	1/2011	Clottu ..... ..	D12/169
D644,575 S *	9/2011	Messale ..... ..	D12/169
D659,605 S *	5/2012	Varga ..... ..	D12/169
D671,049 S *	11/2012	Davidson et al. ....	D12/169
D690,631 S *	10/2013	Kazama ..... ..	D12/169
D698,290 S *	1/2014	Mori et al. .... ..	D12/169
D698,711 S	2/2014	Endo et al. .... ..	
D698,712 S	2/2014	Sato et al. .... ..	

D699,167 S	2/2014	Sato et al. ....	
D703,592 S *	4/2014	Kwon et al. ....	D12/169
D713,304 S *	9/2014	Tsuchida et al. ....	D12/169
D714,196 S *	9/2014	Mays et al. ....	D12/169
D715,708 S *	10/2014	Mays et al. ....	D12/169
D718,678 S *	12/2014	Ishizuka et al. ....	D12/169

FOREIGN PATENT DOCUMENTS

JP	D1441551 S	5/2012
JP	D1444803 S	6/2012
JP	D1445040 S	7/2012
JP	D1451939 S	10/2012
JP	D1454373 S	11/2012
JP	D1458082 S	12/2012
JP	D1451046 S	1/2013
JP	D1474813 S	7/2013
JP	D1481526 S	10/2013

(Continued)

*Primary Examiner* — Melody N Brown

(74) *Attorney, Agent, or Firm* — Global IP Counselors, LLP

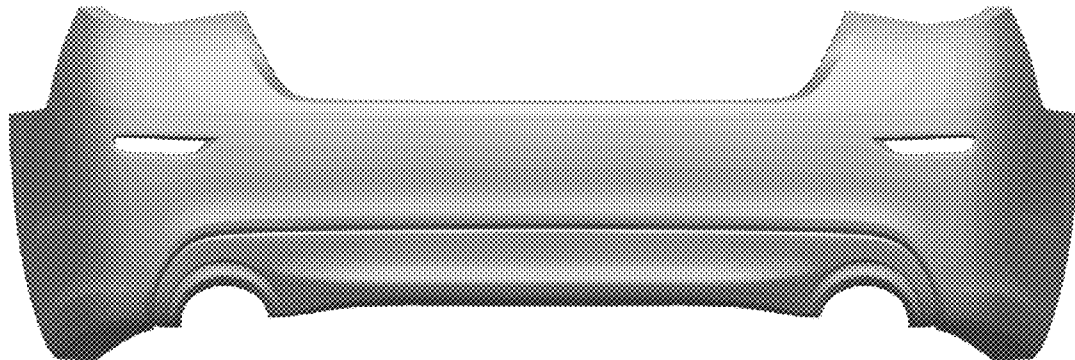
(57) **CLAIM**

The ornamental design for a rear bumper for an automobile, as shown and described.

**DESCRIPTION**

FIG. 1 is a front elevational view of a rear bumper for automobile showing our new design;  
FIG. 2 is a top plan view thereof;  
FIG. 3 is a bottom plan view thereof;  
FIG. 4 is a right side elevational view thereof;  
FIG. 5 is a left side elevational thereof;  
FIG. 6 is a top, front and right side perspective view thereof; and,  
FIG. 7 is a bottom, front and left side perspective view thereof.  
The rear view of the rear bumper forms no part of the claimed design.

**1 Claim, 7 Drawing Sheets**



(56)

**References Cited**

FOREIGN PATENT DOCUMENTS

JP D1486085 S 12/2013  
JP D1486325 S 12/2013  
JP D1486870 S 12/2013  
JP D1489383 S 2/2014

JP D1472543 S 6/2014  
JP D1446730 S 7/2014  
JP D1511275 S 11/2014  
JP D1513119 S 12/2014  
JP D1489460 S 2/2015  
JP D1501249 S 6/2015  
JP D1530845 S 8/2015

\* cited by examiner

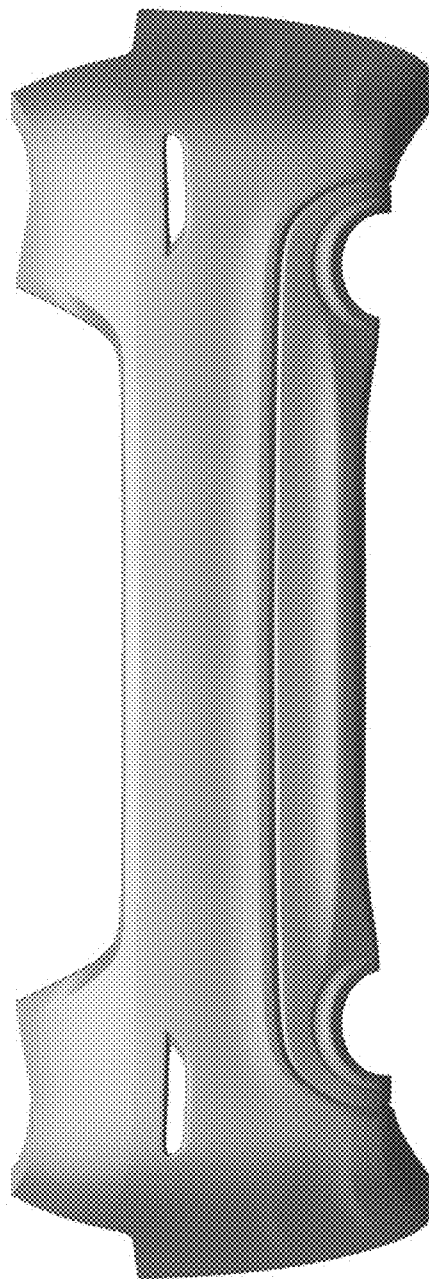


FIG. 1

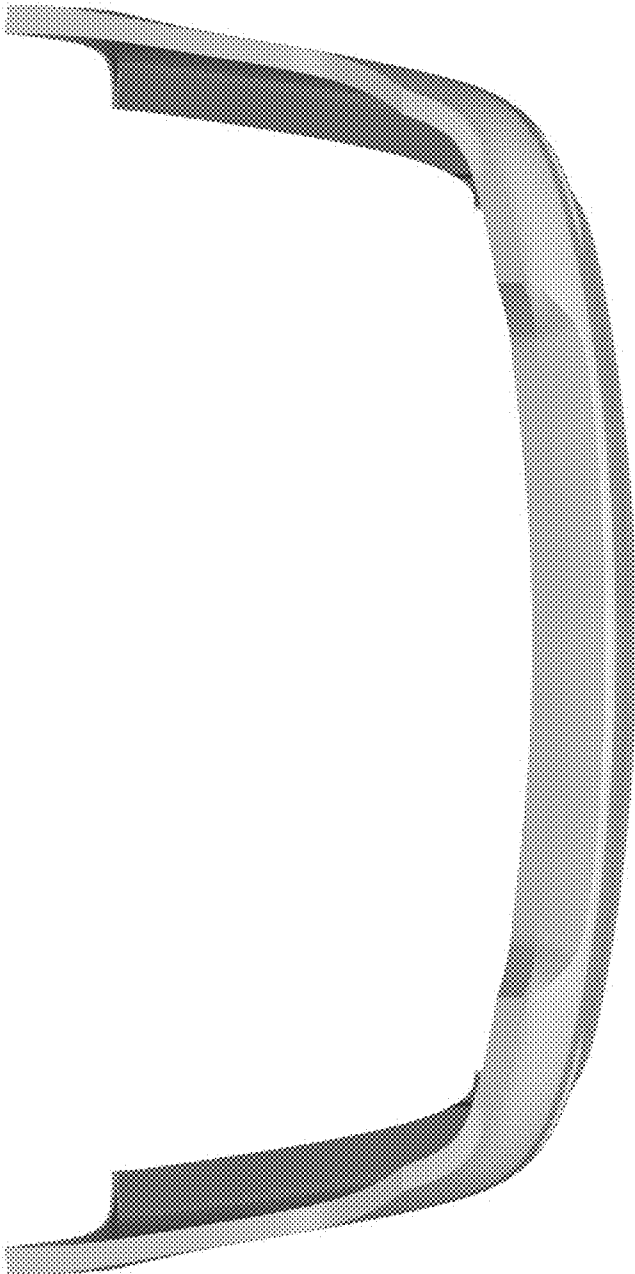


FIG. 2

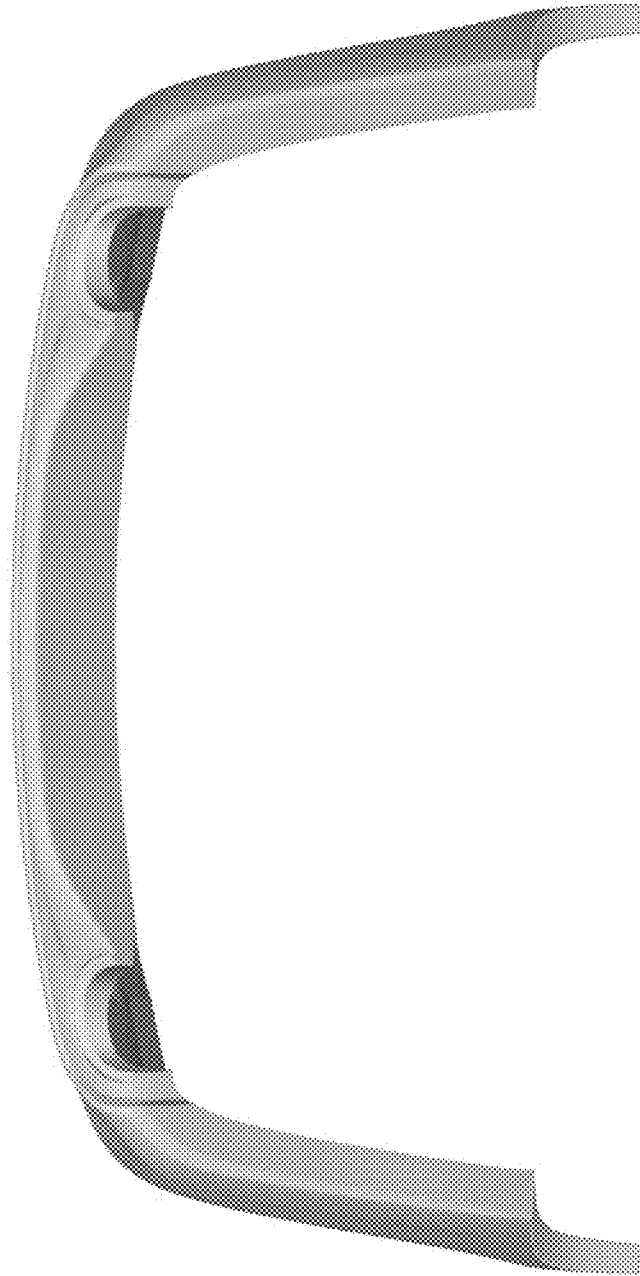


FIG. 3

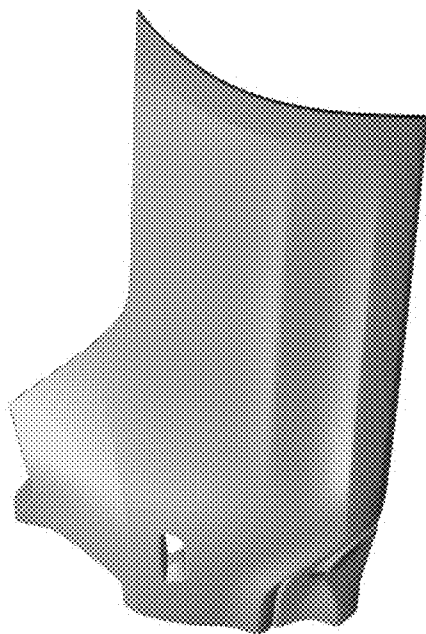


FIG. 4

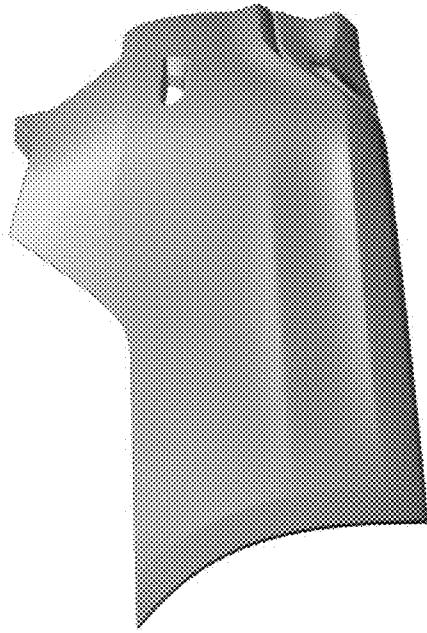


FIG. 5

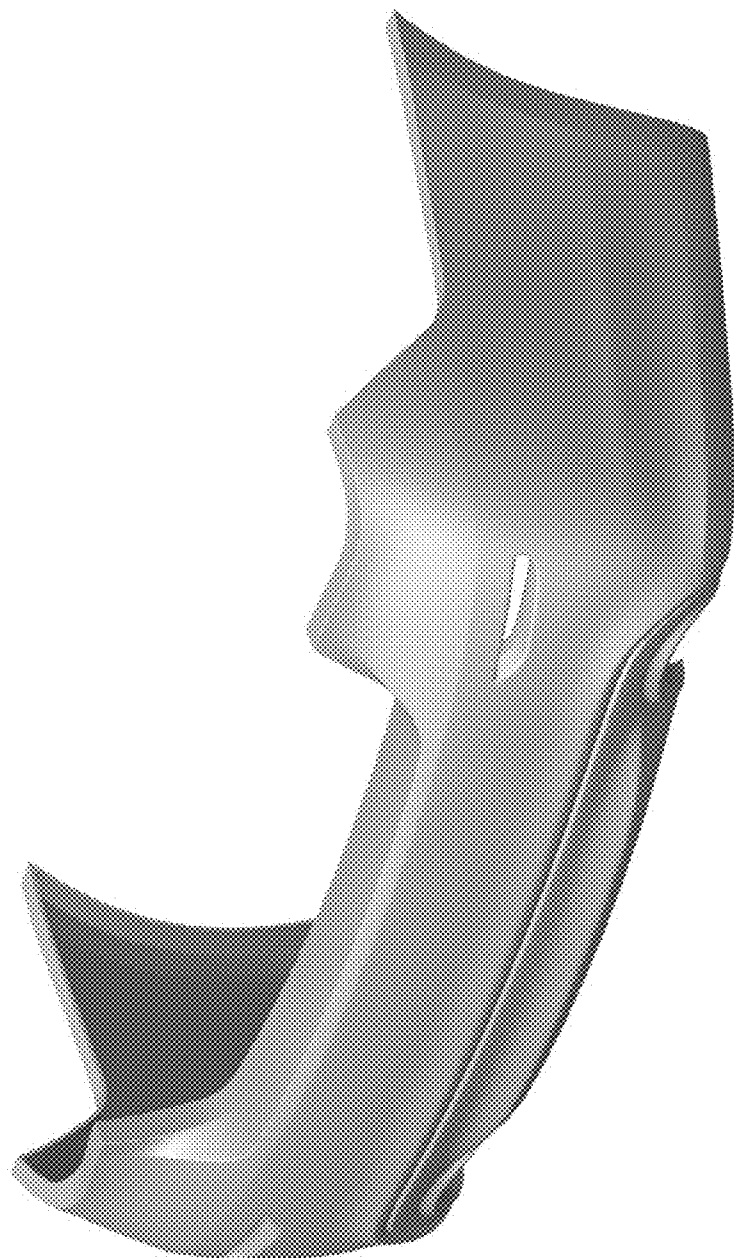


FIG. 6



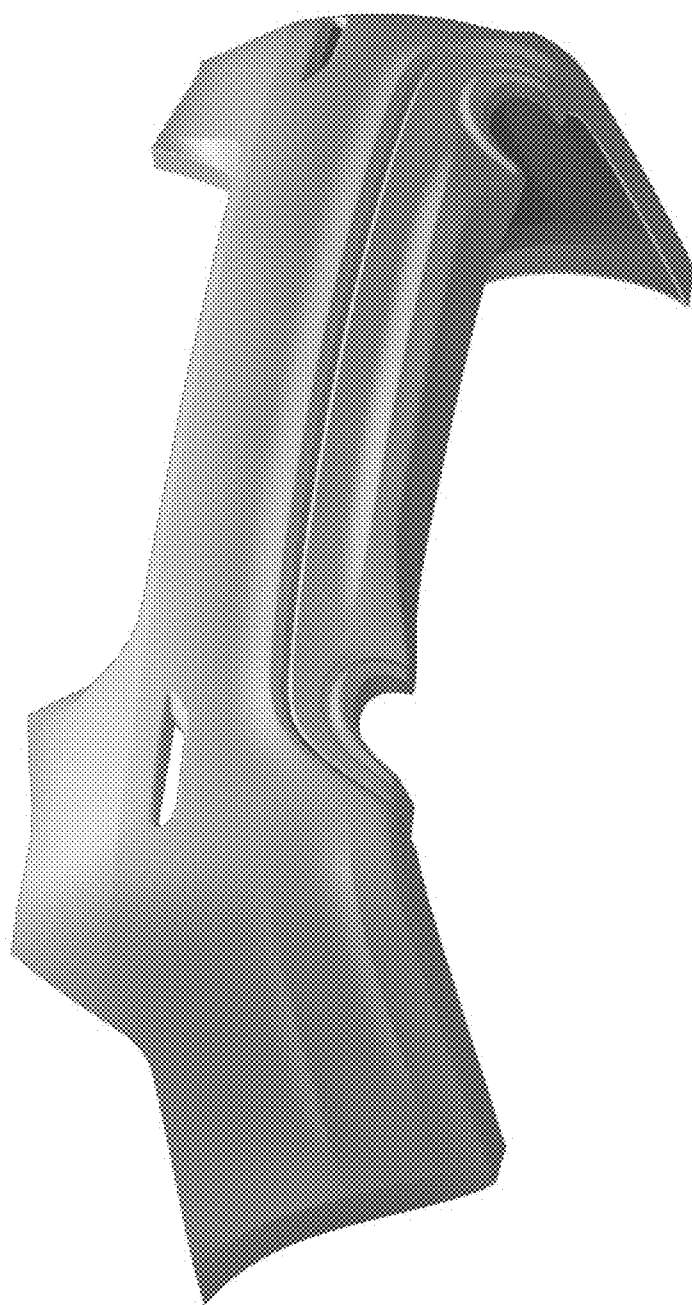


FIG. 7