



US00D714621S

(12) **United States Design Patent**  
**Pan**

(10) **Patent No.:** **US D714,621 S**

(45) **Date of Patent:** **\*\* Oct. 7, 2014**

- (54) **HOOK**
- (71) Applicant: **3M Innovative Properties Company**,  
St. Paul, MN (US)
- (72) Inventor: **Angela L. Pan**, Woodbury, MN (US)
- (73) Assignee: **3M Innovative Properties Company**,  
St. Paul, MN (US)
- (\*\*) Term: **14 Years**

D480,292 S *	10/2003	Johansson et al. ....	D8/367
D494,452 S *	8/2004	Sheldon et al. ....	D8/367
D543,837 S *	6/2007	Newbould et al. ....	D8/367
D554,481 S *	11/2007	Newbould et al. ....	D8/367
D572,121 S *	7/2008	Shiffler .....	D8/367
D584,939 S *	1/2009	Snell .....	D8/367
D603,688 S *	11/2009	Chiu .....	D8/367
D609,995 S *	2/2010	Hager et al. ....	D8/367
D665,653 S *	8/2012	Thompson et al. ....	D8/367
D678,041 S *	3/2013	Pan et al. ....	D8/367
D680,804 S *	4/2013	Gilboe .....	D7/367
D697,388 S *	1/2014	Pan .....	D8/367
D697,389 S *	1/2014	Pan .....	D8/367

(21) Appl. No.: **29/486,972**

(22) Filed: **Apr. 4, 2014**

(51) **LOC (10) Cl.** ..... **08-05**

(52) **U.S. Cl.**  
USPC ..... **D8/367**

(58) **Field of Classification Search**  
CPC ..... A47G 25/00; A47G 1/00  
USPC ..... D8/367, 354, 349, 373; D6/323;  
248/301-304, 339  
See application file for complete search history.

(56) **References Cited**

**U.S. PATENT DOCUMENTS**

D339,058 S *	9/1993	Greenhut et al. ....	D8/367
D417,385 S *	12/1999	Bries et al. ....	D8/367
6,325,342 B1 *	12/2001	Dignat .....	248/118

\* cited by examiner

*Primary Examiner* — Cynthia Underwood

(74) *Attorney, Agent, or Firm* — Irina Hass

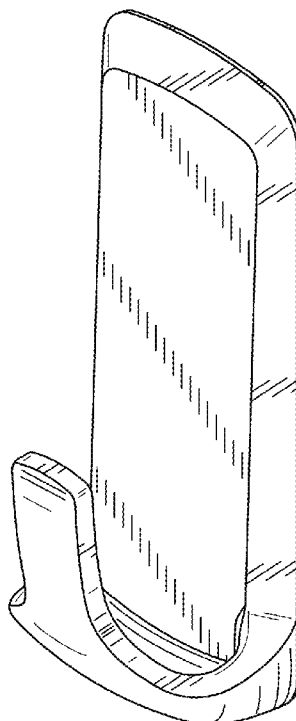
(57) **CLAIM**

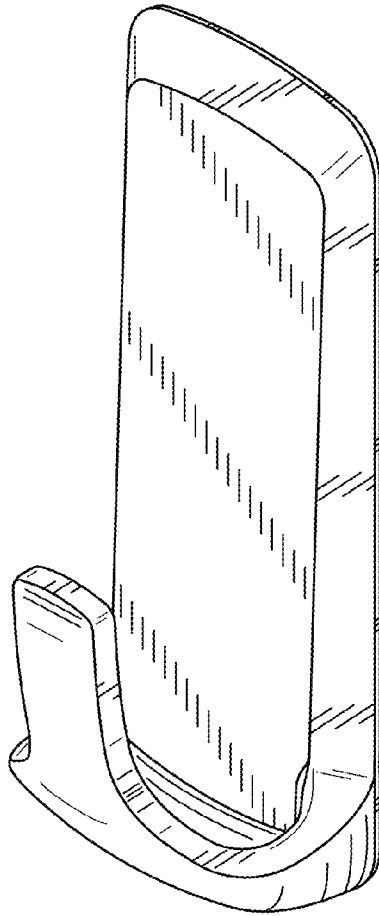
The ornamental design for a hook, as shown and described.

**DESCRIPTION**

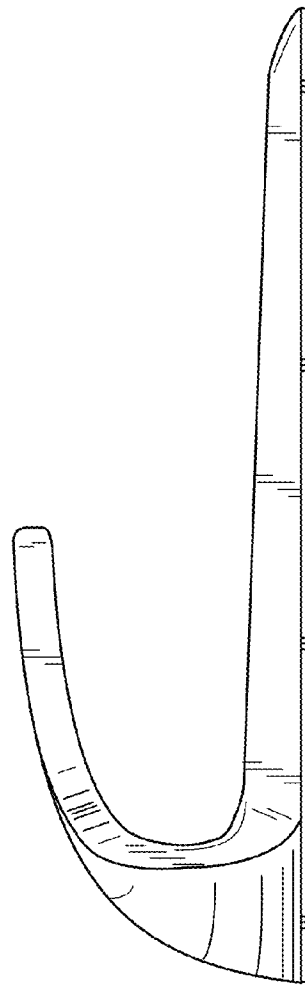
FIG. 1 is a perspective view showing the new design for a hook;  
 FIG. 2 is a right side view thereof, a left side view being a mirror image thereof;  
 FIG. 3 is a front view thereof;  
 FIG. 4 is a rear view thereof;  
 FIG. 5 is a top view thereof; and,  
 FIG. 6 is a bottom view thereof.

**1 Claim, 2 Drawing Sheets**

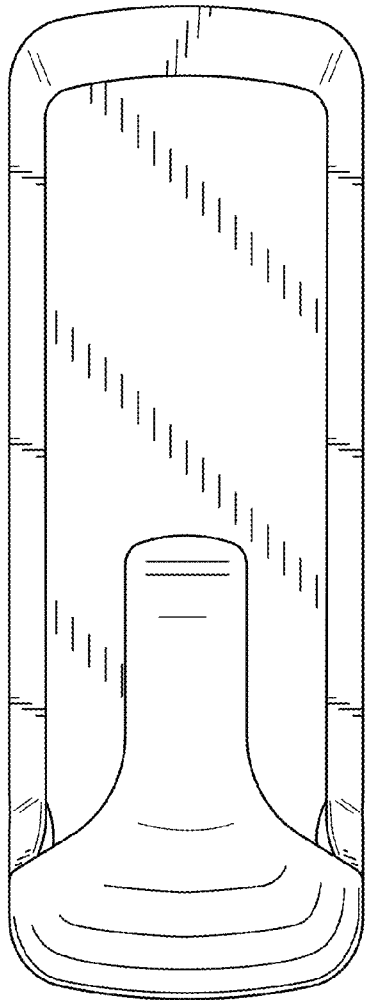




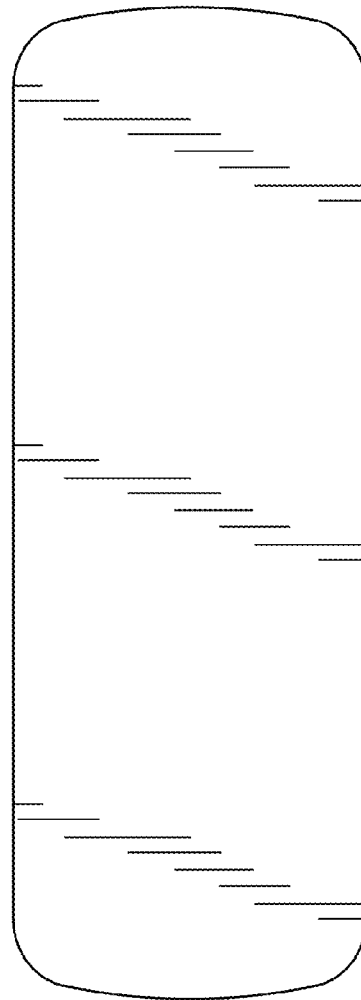
**FIG. 1**



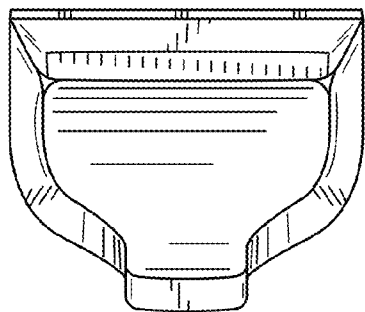
**FIG. 2**



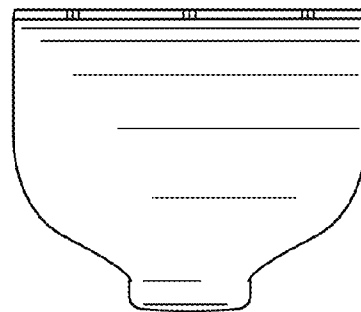
**FIG. 3**



**FIG. 4**



**FIG. 5**



**FIG. 6**

UNITED STATES PATENT AND TRADEMARK OFFICE  
**CERTIFICATE OF CORRECTION**

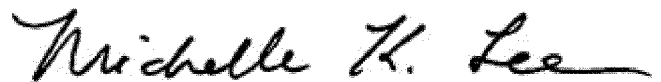
PATENT NO. : D714,621 S  
APPLICATION NO. : 29/486972  
DATED : October 7, 2014  
INVENTOR(S) : Pan

Page 1 of 1

It is certified that error appears in the above-identified patent and that said Letters Patent is hereby corrected as shown below:

On the title page item [73], delete “;3M” and insert -- 3M --, therefor.

Signed and Sealed this  
Twenty-fourth Day of May, 2016



Michelle K. Lee  
*Director of the United States Patent and Trademark Office*