



US00D349865S

# United States Patent [19]

[11] Patent Number: Des. 349,865

Benhamou

[45] Date of Patent: \*\* Aug. 23, 1994

[54] HEART JEWELRY CHAIN

[75] Inventor: Guy S. Benhamou, Beverly Hills, Calif.

[73] Assignee: OroAmerica, Inc., Burbank, Calif.

[\*\*] Term: 14 Years

[21] Appl. No.: 14,599

[22] Filed: Oct. 27, 1993

[52] U.S. Cl. .... D11/14

[58] Field of Search ..... 59/78, 80; 63/1.1, 2, 63/3, 4; D11/1-18, 21-23, 93

D. 151,901 11/1948 Katz ..... D11/14

D. 161,342 12/1950 Jacoby ..... D11/21

D. 169,179 3/1953 Philippe ..... D11/14

D. 243,411 2/1977 Johnson ..... D11/7

D. 330,342 10/1992 Griffin ..... D11/3

Primary Examiner—A. Hugo Word  
 Attorney, Agent, or Firm—Drucker & Sommers

### [57] CLAIM

The ornamental design for a heart jewelry chain, as shown and described.

### DESCRIPTION

FIG. 1 is a top view of the heart jewelry chain of my invention;  
 FIG. 2 is a top view, in enlargement of a portion of FIG. 1;  
 FIG. 3 is a side view of FIG. 2; and,  
 FIG. 4 is a bottom view of FIG. 2.

[56] **References Cited**  
 U.S. PATENT DOCUMENTS

D. 128,494 7/1941 Lerner et al. .... D11/14

D. 130,943 12/1941 Dawer ..... D11/7



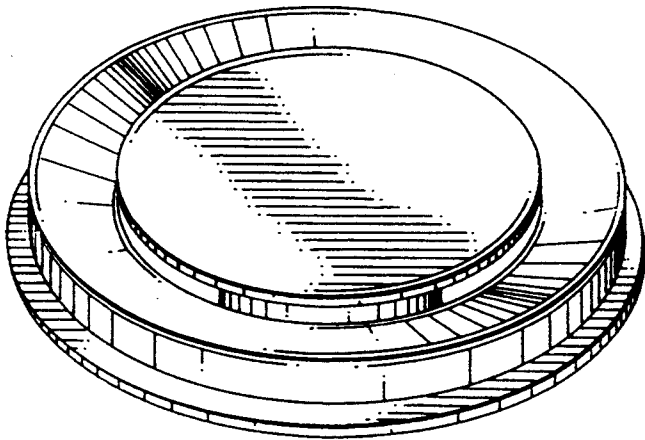


FIG. 1

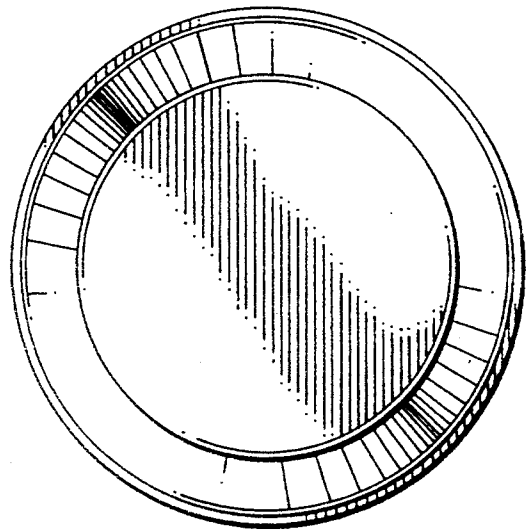


FIG. 3

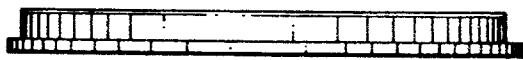


FIG. 2

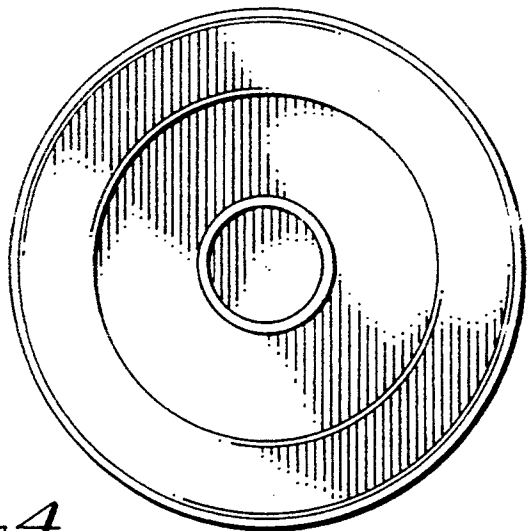


FIG. 4

UNITED STATES PATENT AND TRADEMARK OFFICE  
**CERTIFICATE OF CORRECTION**

Page 1 of 3

PATENT NO. : Des. 349,865  
DATED : August 23, 1994  
INVENTOR(S) : Guy S. Benhamou

It is certified that error appears in the above-identified patent and that said Letters Patent is hereby corrected as shown below:

Delete Drawing Sheets 1-4, and substitute therefor the drawing sheets, consisting of Figs. 1-4, as shown on the attached page.

The title page, showing an illustrative figure, should be delete and substitute therefor the attached title page.

Signed and Sealed this  
Fourteenth Day of February, 1995

*Attest:*



BRUCE LEHMAN

*Attesting Officer*

*Commissioner of Patents and Trademarks*

**United States Patent** [19]

[11] **Patent Number: Des. 349,865**

**Benhamou**

[45] **Date of Patent: \*\* Aug. 23, 1994**

[54] **HEART JEWELRY CHAIN**

[75] **Inventor: Guy S. Benhamou, Beverly Hills, Calif.**

[73] **Assignee: OroAmerica, Inc., Burbank, Calif.**

[\*\*] **Term: 14 Years**

[21] **Appl. No.: 14,599**

[22] **Filed: Oct. 27, 1993**

[52] **U.S. CL ..... D11/14**

[58] **Field of Search ..... 59/78, 80; 63/1.1, 2, 63/3, 4; D11/1-18, 21-23, 93**

[56] **References Cited**

**U.S. PATENT DOCUMENTS**

- D. 128,494 7/1941 Lerner et al. .... D11/14
- D. 130,943 12/1941 Dawer ..... D11/7

- D. 151,901 11/1948 Katz ..... D11/14
- D. 161,342 12/1950 Jacoby ..... D11/21
- D. 169,179 3/1953 Philippe ..... D11/14
- D. 243,411 2/1977 Johnson ..... D11/7
- D. 330,342 10/1992 Griffin ..... D11/3

*Primary Examiner—A. Hugo Word  
Attorney, Agent, or Firm—Drucker & Sommers*

[57] **CLAIM**

The ornamental design for a heart jewelry chain, as shown and described.

**DESCRIPTION**

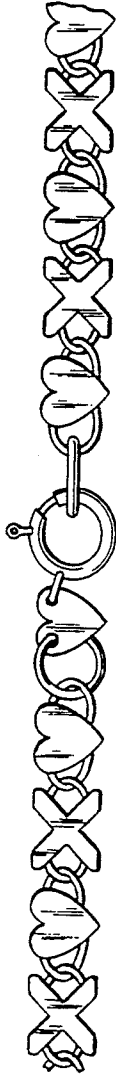
FIG. 1 is a top view of the heart jewelry chain of my invention;  
FIG. 2 is a top view, in enlargement of a portion of FIG. 1;  
FIG. 3 is a side view of FIG. 2; and,  
FIG. 4 is a bottom view of FIG. 2.



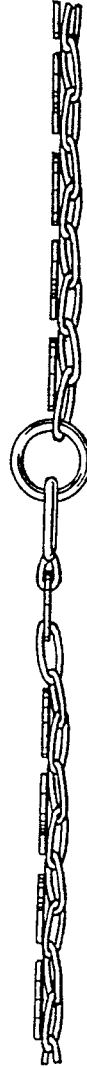
*Fig. 1*



*Fig. 2*



*Fig. 3*



*Fig. 4*

