



US00D520804S

(12) **United States Design Patent**  
**Lu**

(10) **Patent No.:** **US D520,804 S**

(45) **Date of Patent:** **\*\* May 16, 2006**

(54) **BARBECUE GRILL**

(76) Inventor: **Chien-Chang Lu**, P.O. Box 90, Tainan City 70499 (TW)

(\*\*) Term: **14 Years**

(21) Appl. No.: **29/219,484**

(22) Filed: **Dec. 20, 2004**

(51) **LOC (8) Cl.** ..... **07-02**

(52) **U.S. Cl.** ..... **D7/335**

(58) **Field of Classification Search** ..... D7/332-337, D7/402-405, 362-363, 365, 367; 126/19.5, 126/25 R, 25 A, 25 AA, 29-30, 9 R, 9 A, 126/9 B, 38, 37, 40, 268, 276, 305, 312, 126/41 R, 77; D6/419, 498; 99/339, 419, 99/449; D15/27; 296/22

See application file for complete search history.

(56) **References Cited**

**U.S. PATENT DOCUMENTS**

- D211,919 S \* 8/1968 Harff et al. .... D7/335
- D243,309 S \* 2/1977 Reunanen ..... D7/335
- D386,936 S \* 12/1997 Stone et al. .... D7/332

- D408,650 S \* 4/1999 Ibarra ..... D6/419
- D428,299 S \* 7/2000 Pai ..... D7/332
- 6,302,095 B1 \* 10/2001 Tolley et al. .... 126/25 R
- 6,679,245 B1 \* 1/2004 Lu ..... 126/25 R
- D499,600 S \* 12/2004 Bossler ..... D7/335
- 2004/0007228 A1 \* 1/2004 Lu ..... 126/25 R

\* cited by examiner

*Primary Examiner*—Ruth McInroy

(57) **CLAIM**

The ornamental design for a barbecue grill, as shown as described.

**DESCRIPTION**

FIG. 1 is a perspective view of barbecue grill showing my design;  
 FIG. 2 is a front elevational view thereof;  
 FIG. 3 is a rear elevational view thereof;  
 FIG. 4 is a left side elevational view thereof;  
 FIG. 5 is a right side elevational view thereof;  
 FIG. 6 is a top plan view thereof; and,  
 FIG. 7 is a bottom plan view thereof.

**1 Claim, 7 Drawing Sheets**



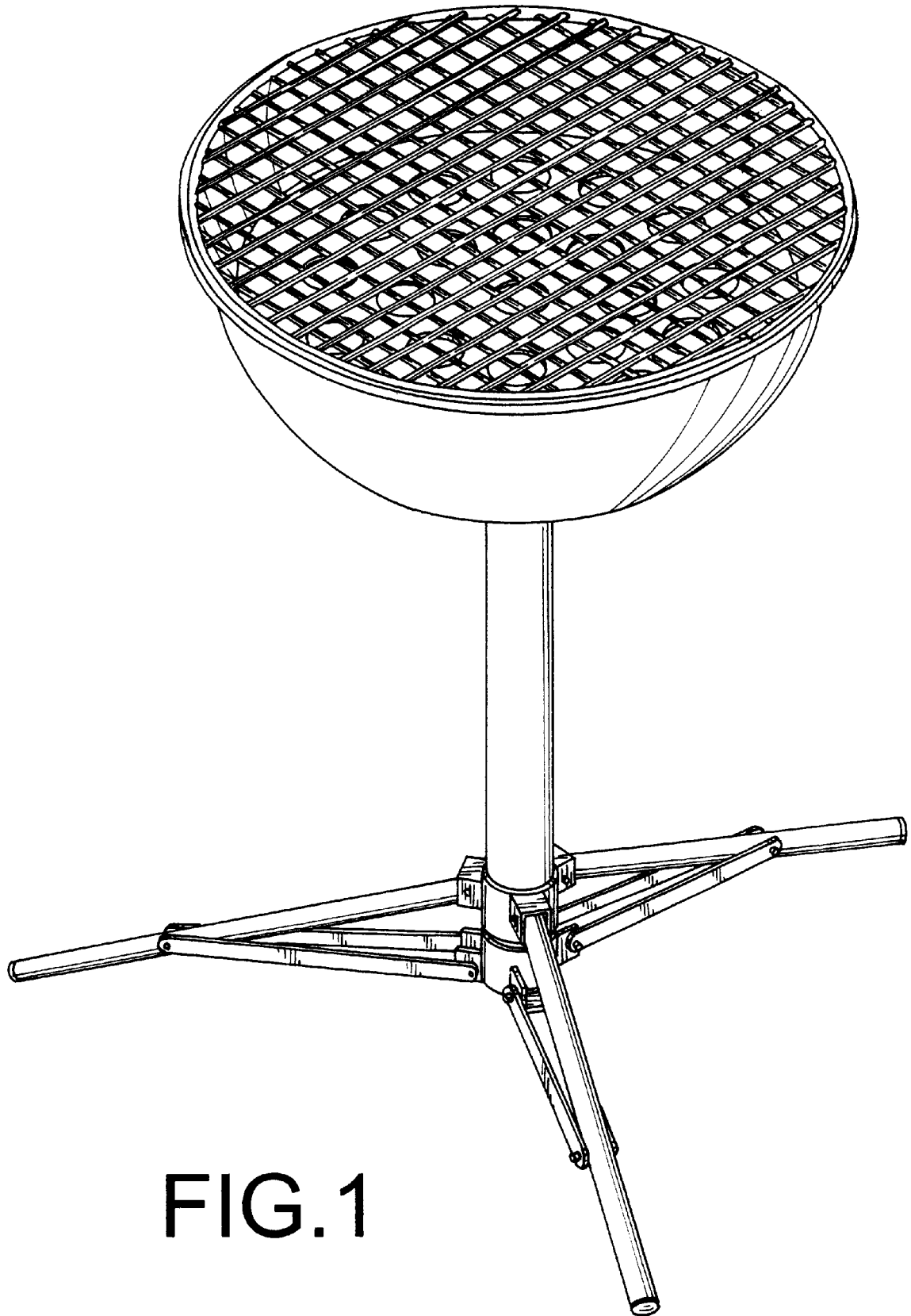


FIG.1

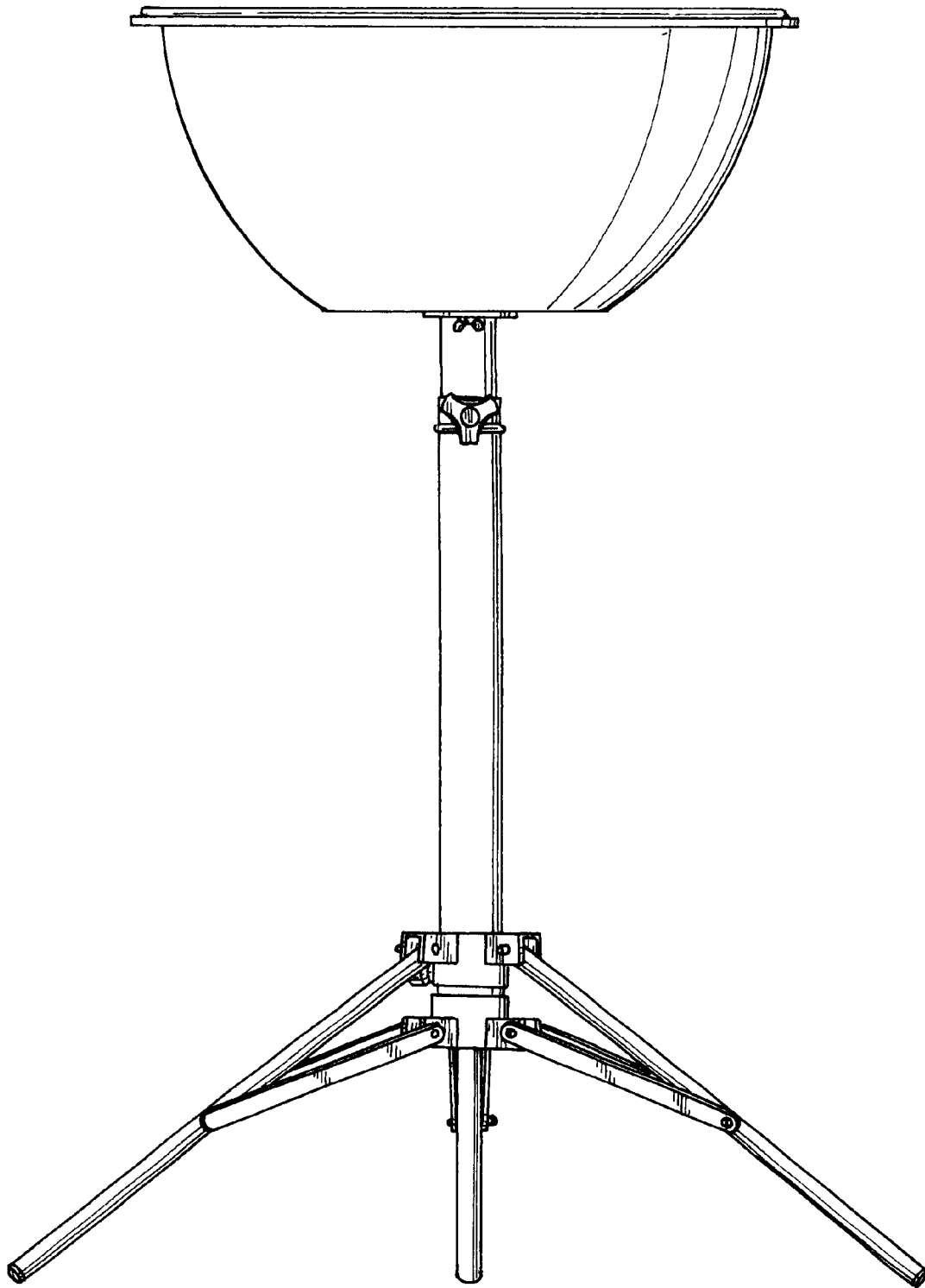


FIG.2

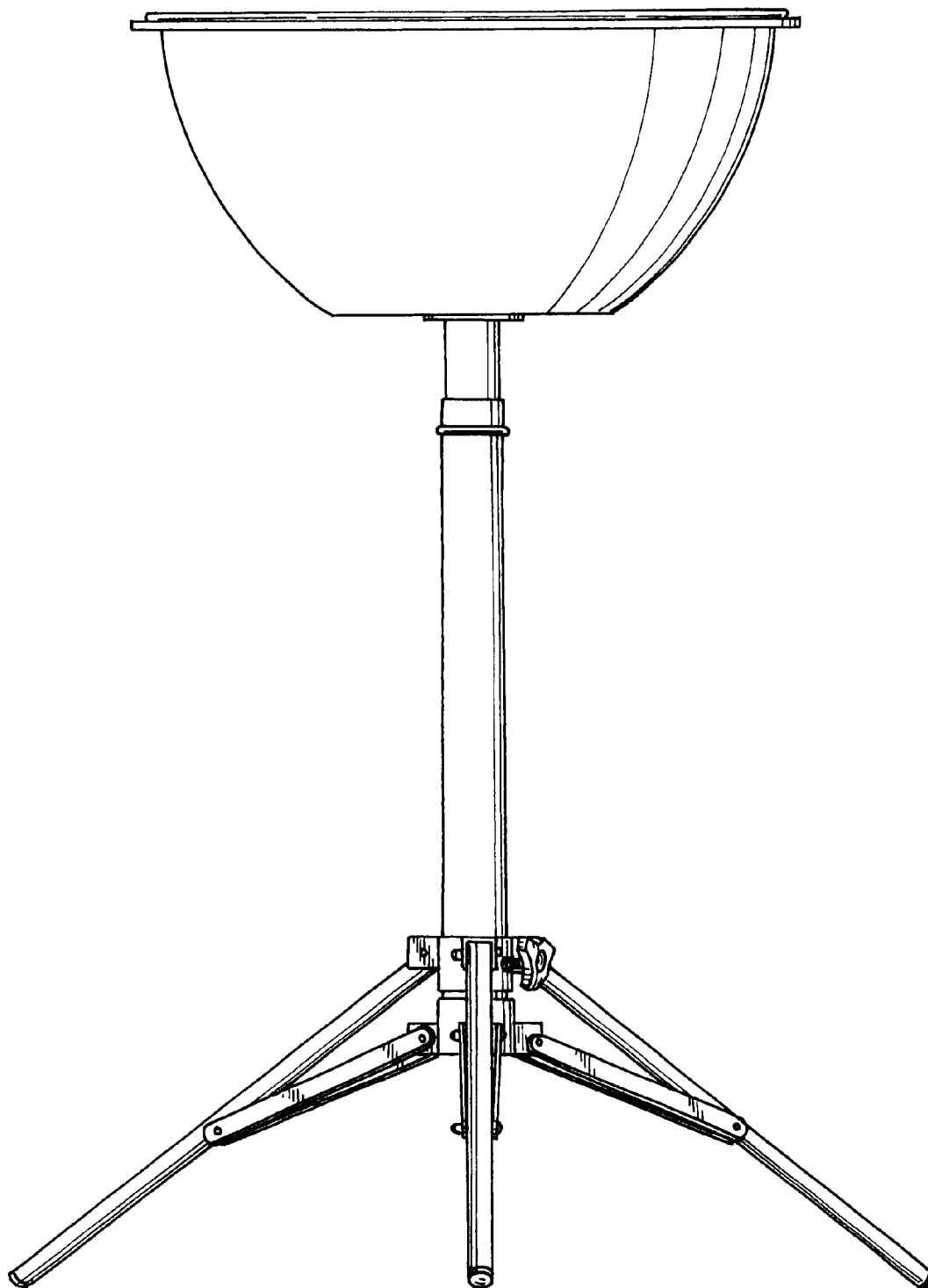


FIG.3

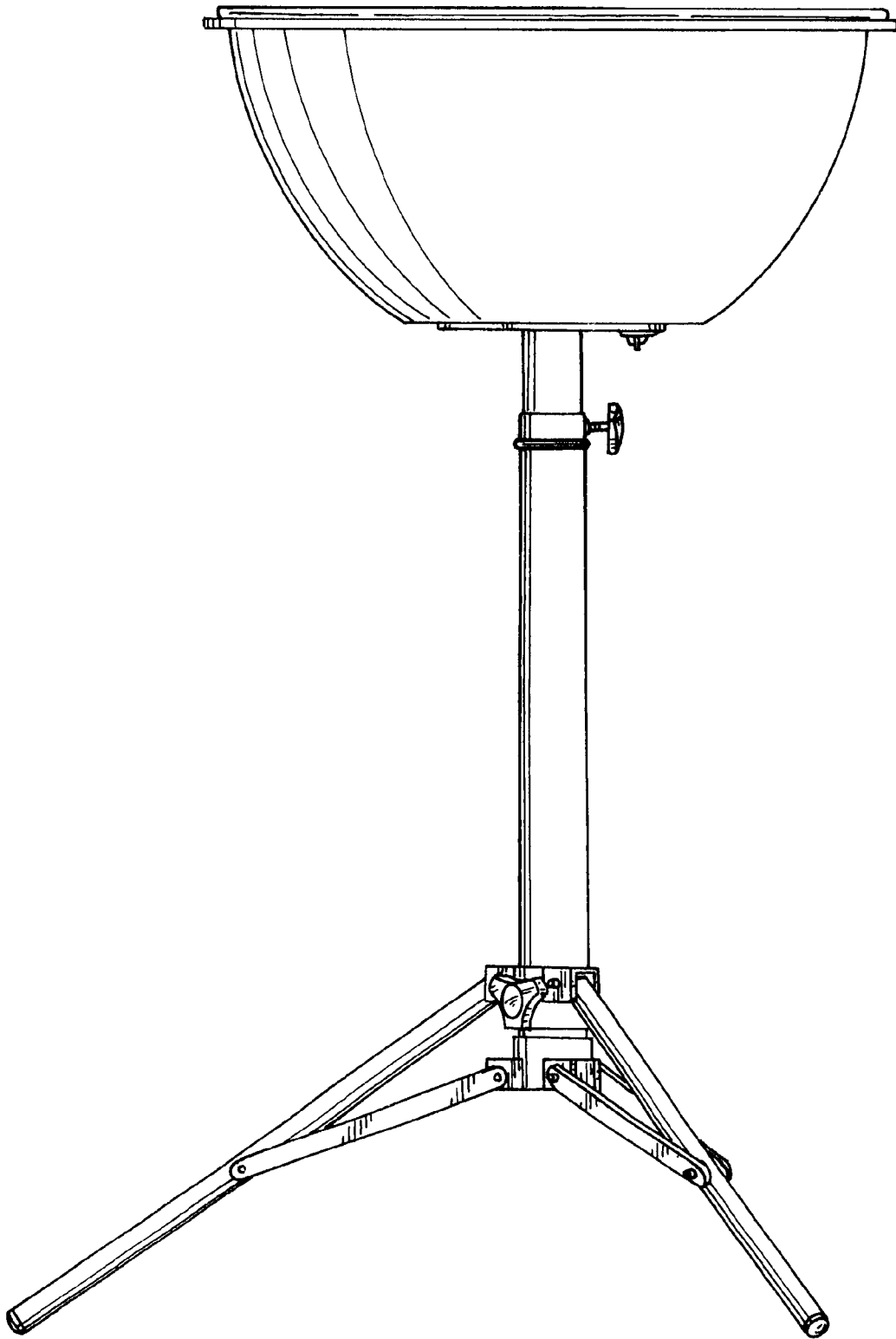


FIG.4

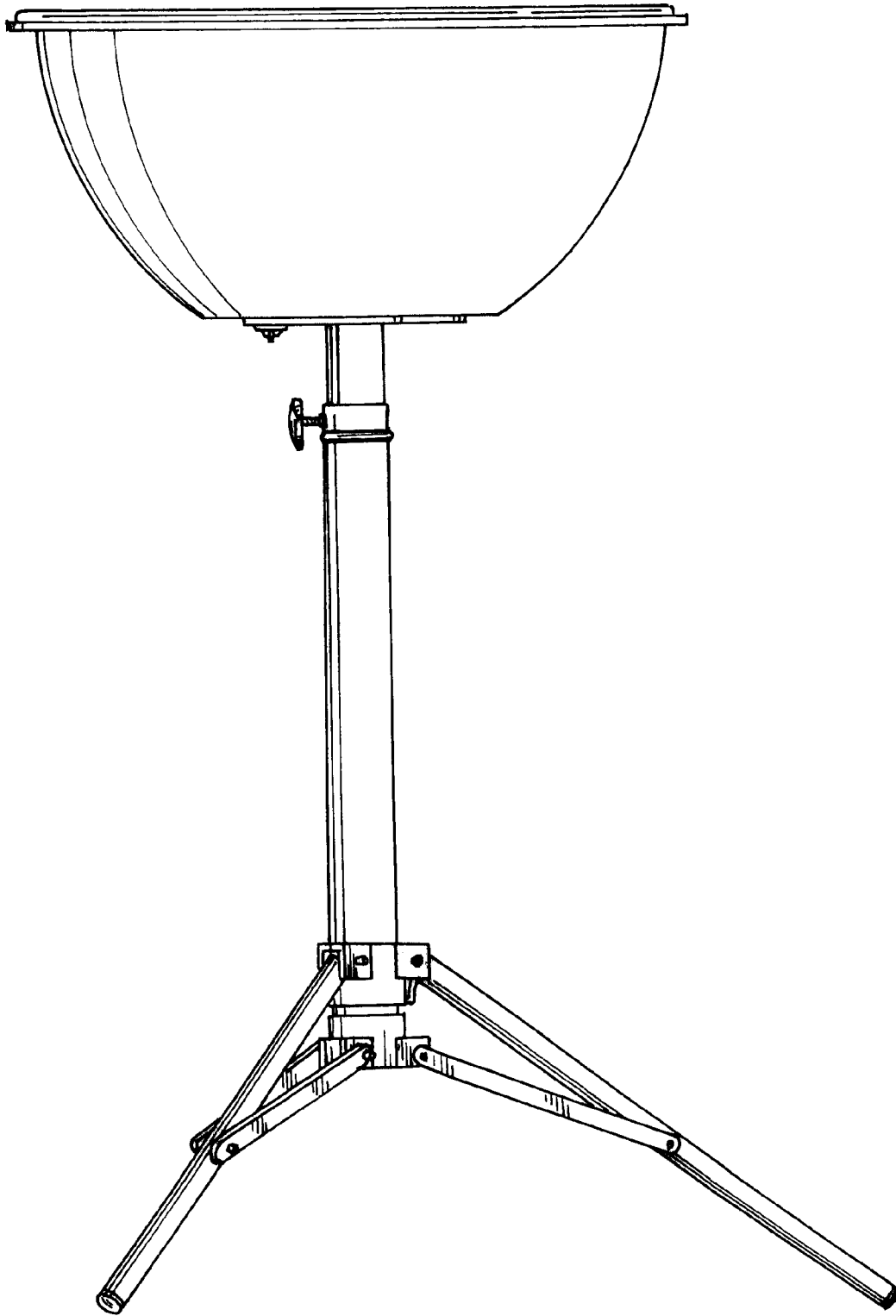


FIG.5

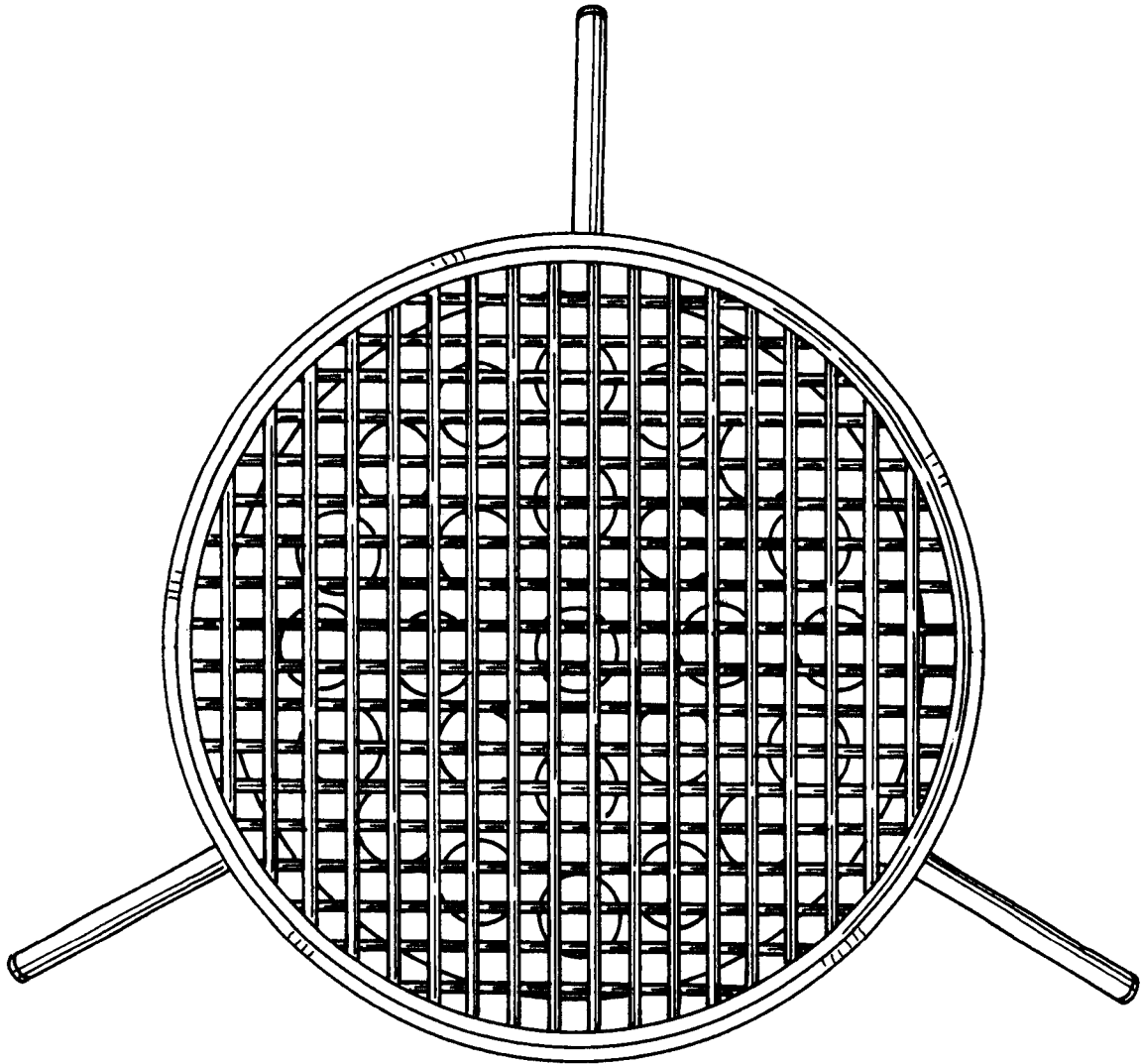


FIG.6

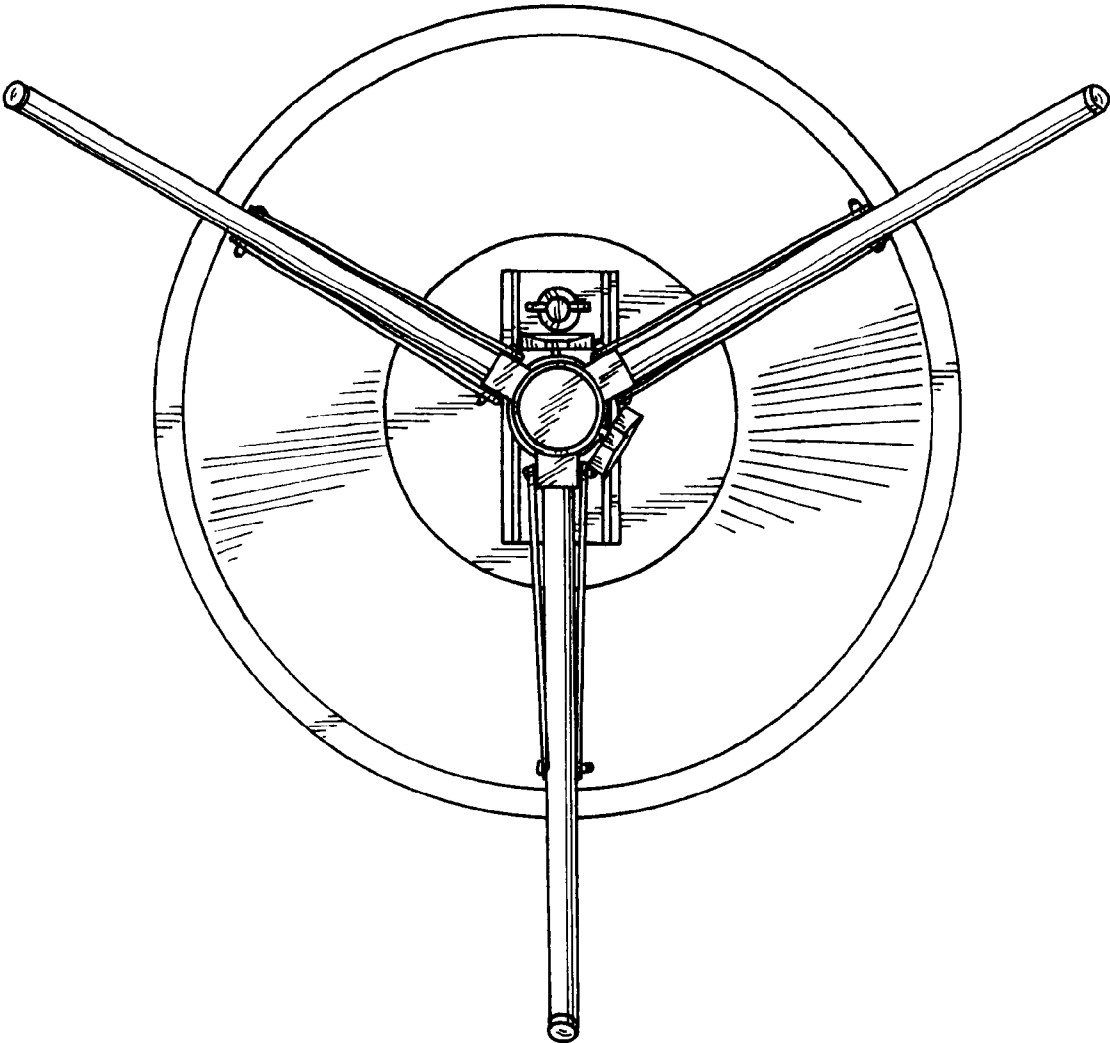


FIG.7