



US00D417883S

# United States Patent [19]

[11] Patent Number: **Des. 417,883**

Arnette

[45] Date of Patent: **\*\* Dec. 21, 1999**

[54] **EYEWEAR TEMPLE**

[75] Inventor: **Gregory F. Arnette**, Monarch Beach, Calif.

[73] Assignee: **Luxtotta Leasing S.p.A.**, Agordo, Italy

[\*\*] Term: **14 Years**

[21] Appl. No.: **29/101,394**

[22] Filed: **Mar. 3, 1999**

### Related U.S. Application Data

[62] Division of application No. 29/088,712, May 29, 1998, Pat. No. Des. 410,245, which is a division of application No. 29/062,691, Nov. 21, 1996, Pat. No. Des. 400,229.

[51] **LOC (6) Cl.** ..... **16-06**

[52] **U.S. Cl.** ..... **D16/335; D16/321**

[58] **Field of Search** ..... **D16/300-335; D29/109-110; 351/41, 44, 51, 52, 111, 119, 158; 2/247, 248**

[56] **References Cited**

### U.S. PATENT DOCUMENTS

D. 169,570	5/1953	Von Seekamm	16/321
D. 192,883	5/1962	Petitto	D16/326
D. 192,885	5/1962	Petitto	16/329
D. 210,698	4/1968	Simon	D16/326
D. 221,593	8/1971	Shindler	D16/321
D. 235,164	5/1975	Shindler	.
D. 243,012	1/1977	Loughner	16/65
D. 244,196	5/1977	Zimmermann	16/65
D. 245,168	7/1977	Zimmermann	16/65
D. 246,791	12/1977	Shindler	16/65
D. 253,597	12/1979	Solomon	16/81
D. 285,092	8/1986	Baum	16/127
D. 294,951	3/1988	Shelton et al.	D16/321
D. 302,559	8/1989	Samuel	16/102

D. 319,647	9/1991	Wilson	16/102
D. 327,081	6/1992	Nakamura	16/102
D. 354,505	1/1995	Francavilla	16/335
D. 358,160	5/1995	Conway	16/326
D. 363,504	10/1995	Arnette	16/326
D. 369,375	4/1996	Jannard	16/326
D. 371,382	7/1996	Berthet-Bondet	16/326
D. 371,383	7/1996	Goldman	16/327
D. 372,726	8/1996	Simioni	16/326
D. 372,929	8/1996	Conway	16/326
D. 377,803	2/1997	Wilson	D16/335
D. 388,815	1/1998	Mage	16/320
2,824,309	2/1958	Fleming	2/14
4,877,320	10/1989	Holden	351/44
5,541,674	7/1996	Jannard	351/41
5,565,937	10/1996	Lee	351/120
5,583,583	12/1996	Wilson	351/41
5,610,668	3/1997	Mage	351/41

### OTHER PUBLICATIONS

Harper's Bazaar, p. 31, right middle of page, Jan. 1950.

*Primary Examiner*—Raphael Barkai  
*Attorney, Agent, or Firm*—Katherine McGuire

[57] **CLAIM**

The ornamental design for eyewear temple, as shown and described.

### DESCRIPTION

FIG. 1 is an elevational view of an eyewear temple showing my new design showing the side thereof facing away from the wearer's head;

FIG. 2 is a top plan view thereof;

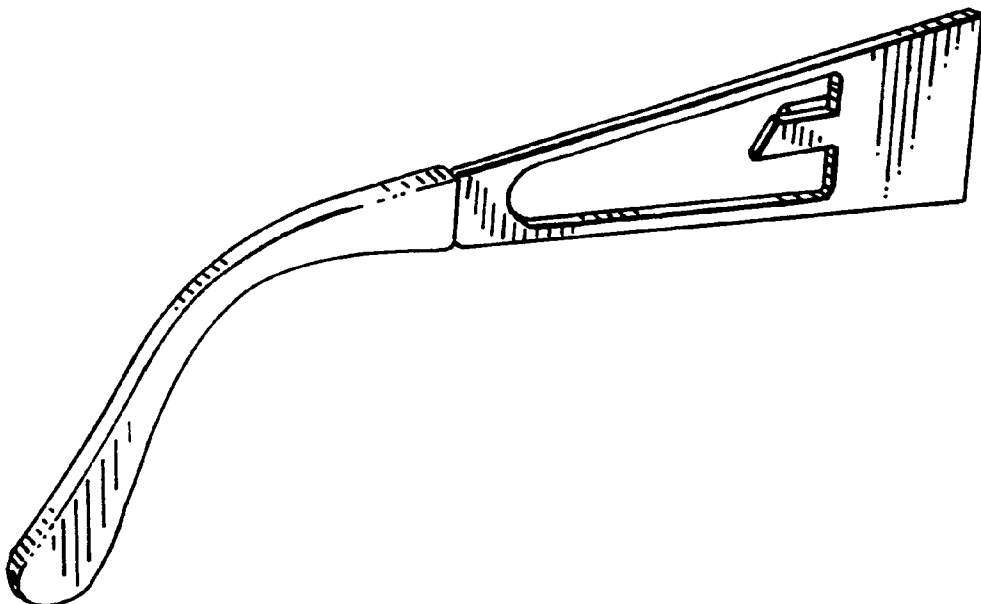
FIG. 3 is an elevational view of the opposite side of the view of FIG. 1 (i.e., the side thereof facing toward the wearer's head);

FIG. 4 is a bottom plan view of FIG. 1;

FIG. 5 is a perspective view of FIG. 1; and,

FIG. 6 is a perspective view of FIG. 3.

**1 Claim, 2 Drawing Sheets**



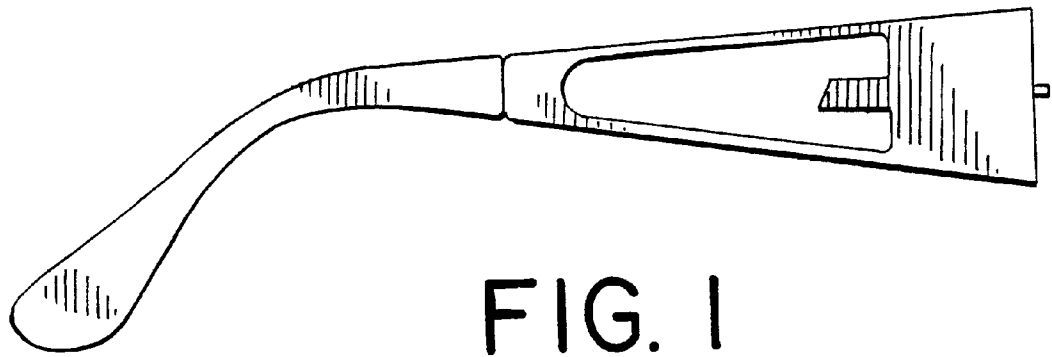


FIG. 1

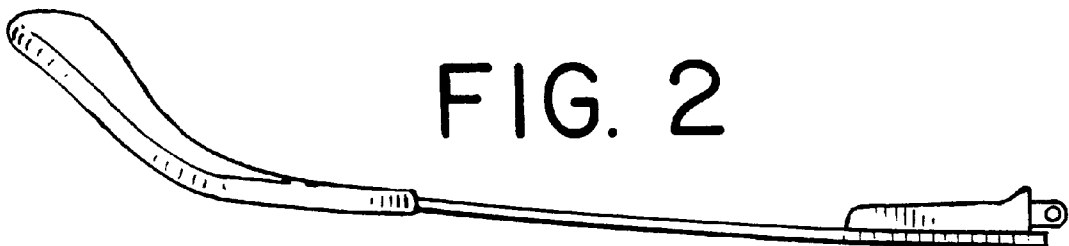


FIG. 2

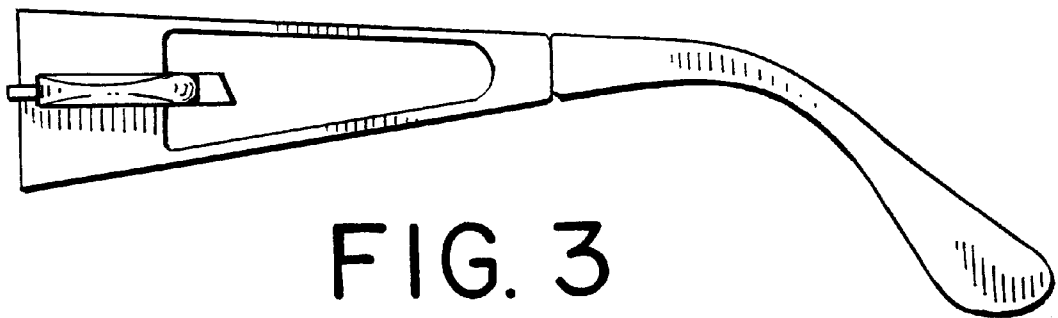


FIG. 3

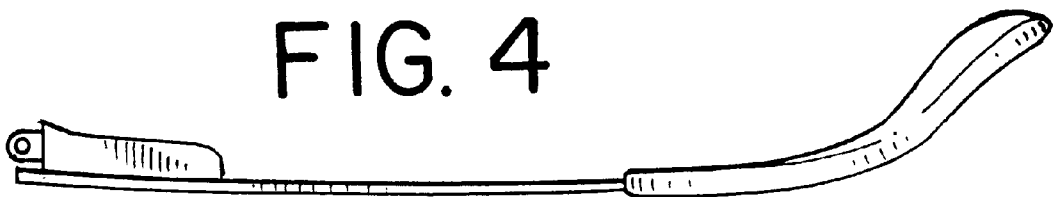


FIG. 4

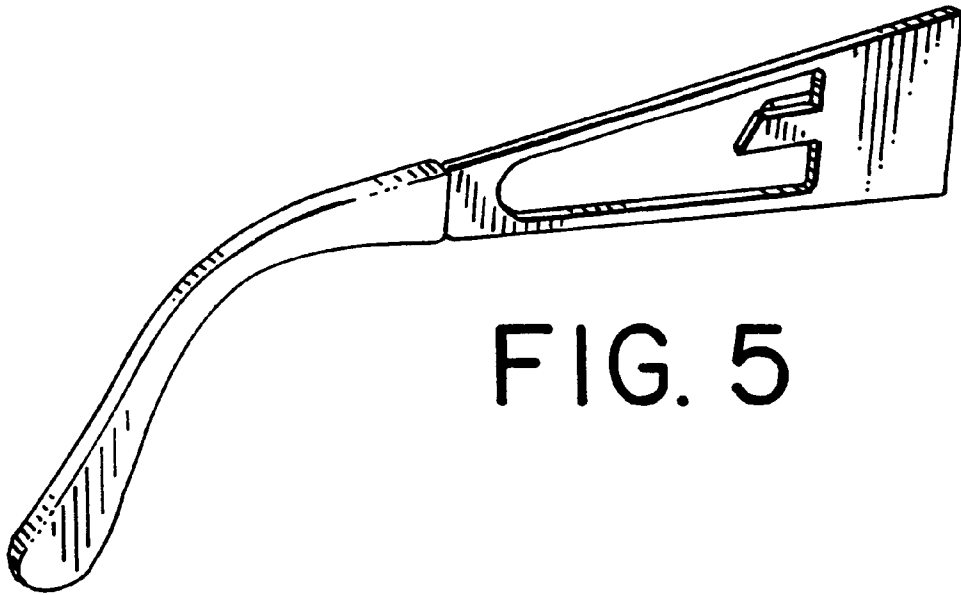


FIG. 5

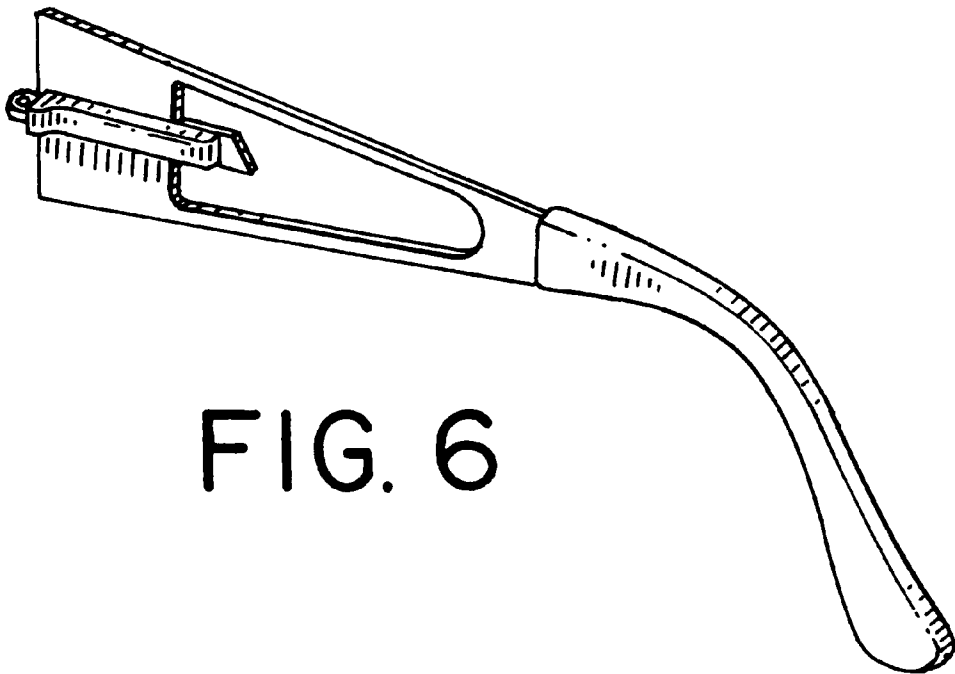


FIG. 6