



US00D726176S

(12) **United States Design Patent**
Quilling, II

(10) **Patent No.:** **US D726,176 S**

(45) **Date of Patent:** **** Apr. 7, 2015**

(54) **AUTO STEREO MOUNTING DEVICE**

(71) Applicant: **Raymond Spencer Quilling, II**,
DeLand, FL (US)

(72) Inventor: **Raymond Spencer Quilling, II**,
DeLand, FL (US)

(73) Assignee: **Metra Electronics Corporation**, Holly
Hill, FL (US)

(**) Term: **14 Years**

(21) Appl. No.: **29/483,197**

(22) Filed: **Feb. 26, 2014**

(51) **LOC (10) Cl.** **14-03**

(52) **U.S. Cl.**

USPC **D14/258**

(58) **Field of Classification Search**

USPC D12/192, 195, 415, 420; D14/157, 168,
D14/188, 218, 224, 257-258; 248/27.1,
248/27.3, 558; 455/347, 350

See application file for complete search history.

(56) **References Cited**

U.S. PATENT DOCUMENTS

D581,408 S * 11/2008 Fiore, IV D14/258
D602,930 S * 10/2009 Quilling, II D14/258

D638,832 S * 5/2011 Quilling et al. D14/258
D639,287 S * 6/2011 Quilling et al. D14/258
D639,291 S * 6/2011 Quilling et al. D14/258
D639,793 S * 6/2011 Quilling et al. D14/258
D639,796 S * 6/2011 Quilling et al. D14/258
D640,684 S * 6/2011 Fiore et al. D14/258

* cited by examiner

Primary Examiner — Sandra Morris

(74) *Attorney, Agent, or Firm* — J. Wiley Horton

(57) **CLAIM**

The ornamental design for an “auto stereo mounting device,” as shown.

DESCRIPTION

FIG. 1 is a perspective view of an auto stereo mounting device, showing my design;

FIG. 2 is a front elevation view of FIG. 1;

FIG. 3 is a rear elevation view of FIG. 1;

FIG. 4 is a right side elevation view of FIG. 1;

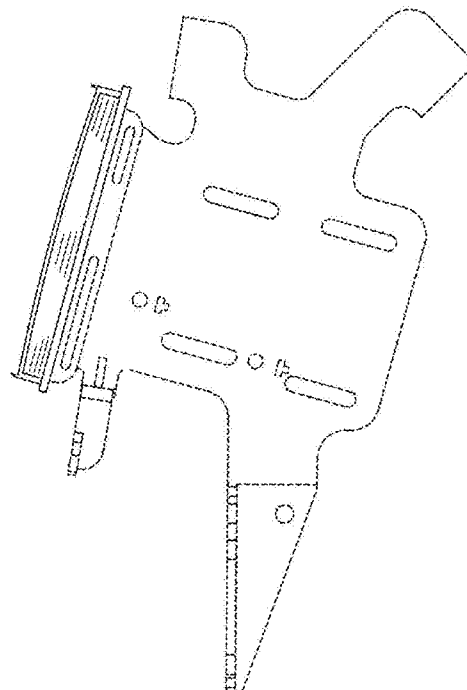
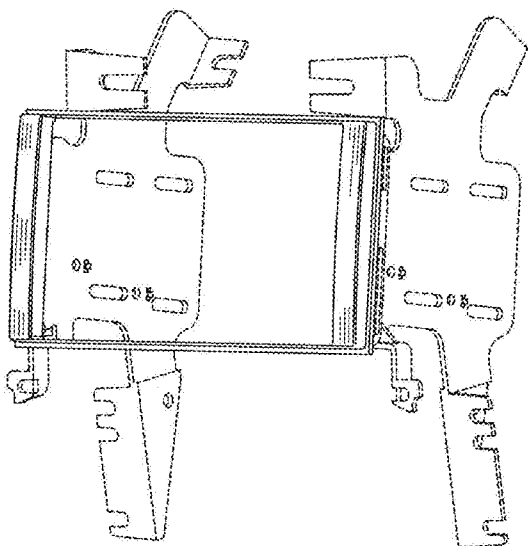
FIG. 5 is a left side elevation view of FIG. 1;

FIG. 6 is a top plan view of FIG. 1; and,

FIG. 7 is a bottom plan view of FIG. 1.

The broken lines shown in all views illustrate mounting features which form no part of the claimed design.

1 Claim, 7 Drawing Sheets



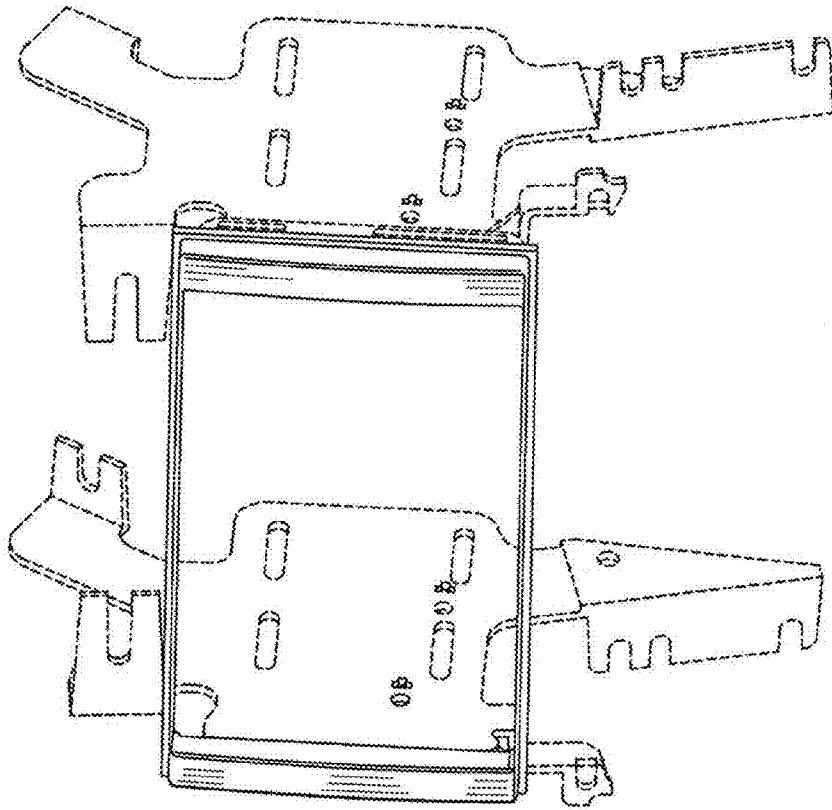


FIG. 1

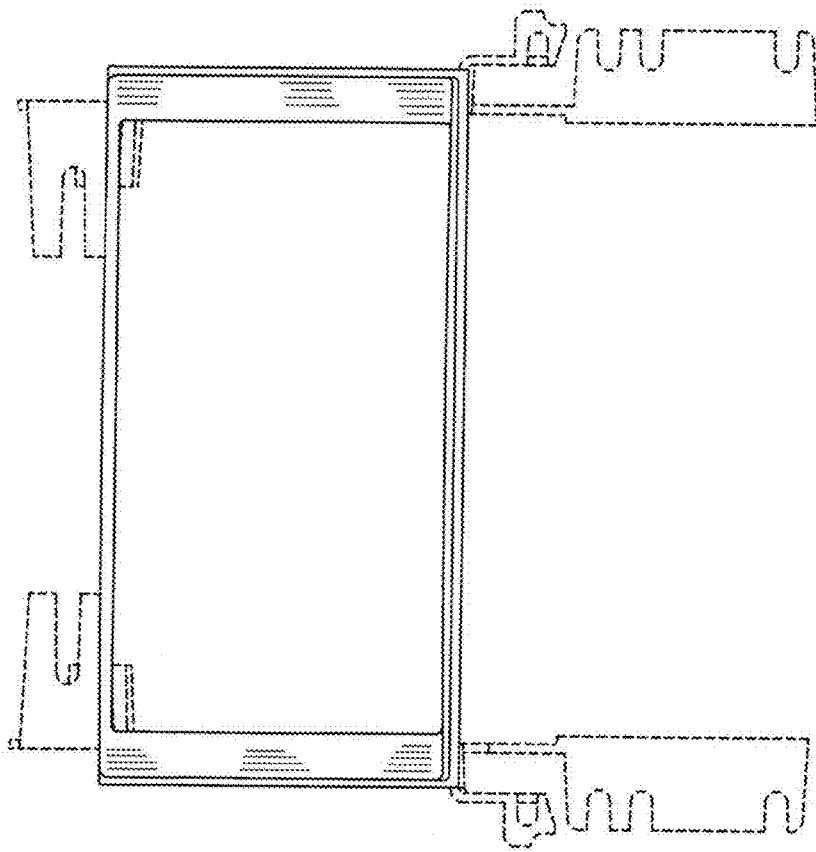


FIG. 2

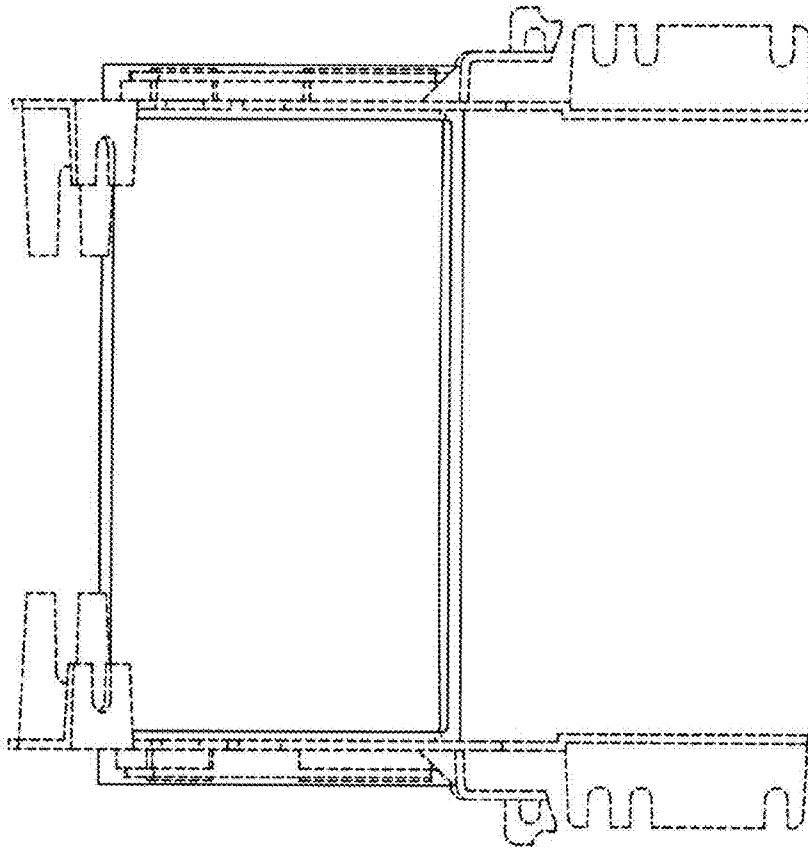


FIG. 3

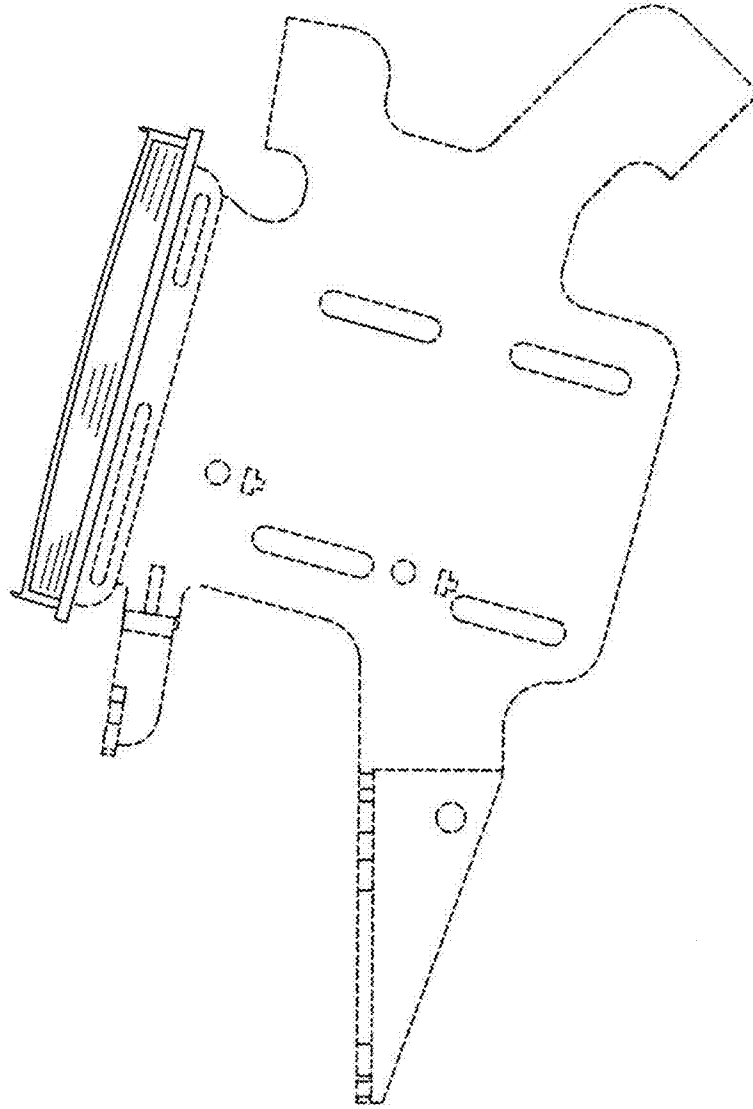


FIG. 4

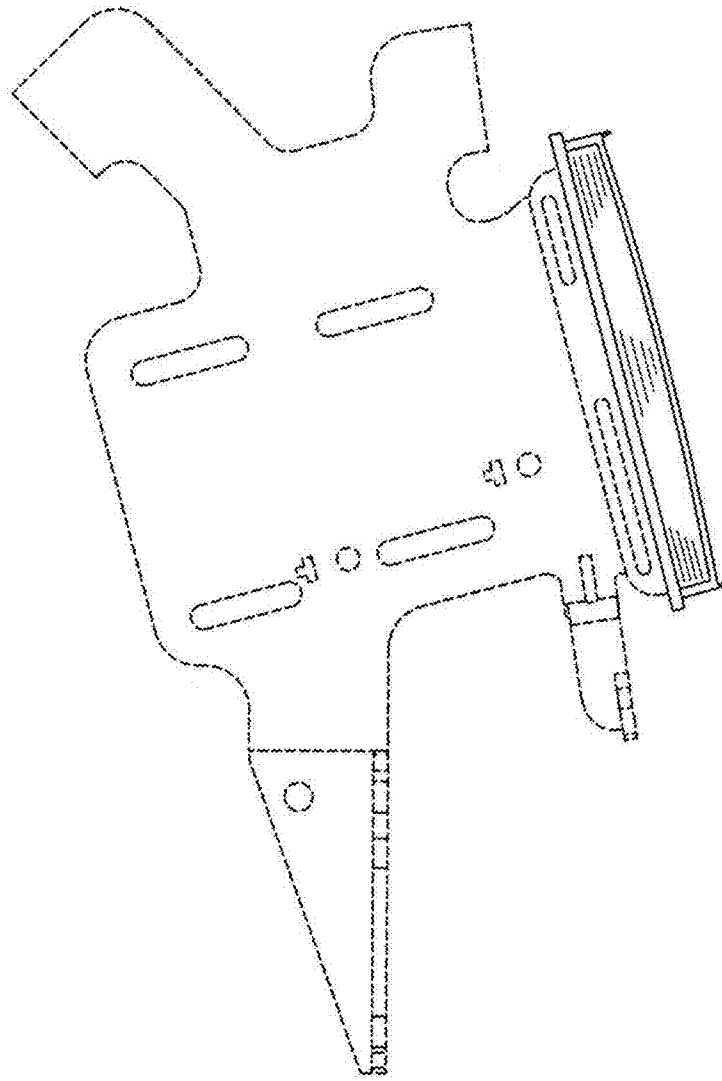


FIG. 5

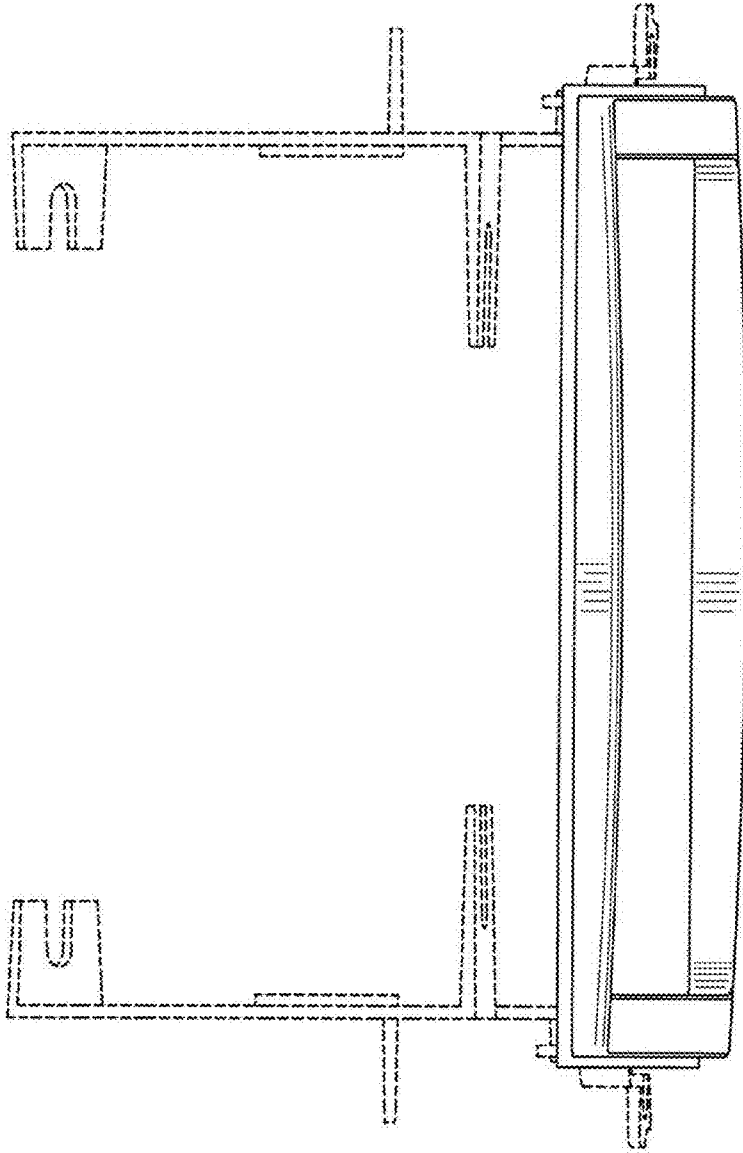


FIG. 6

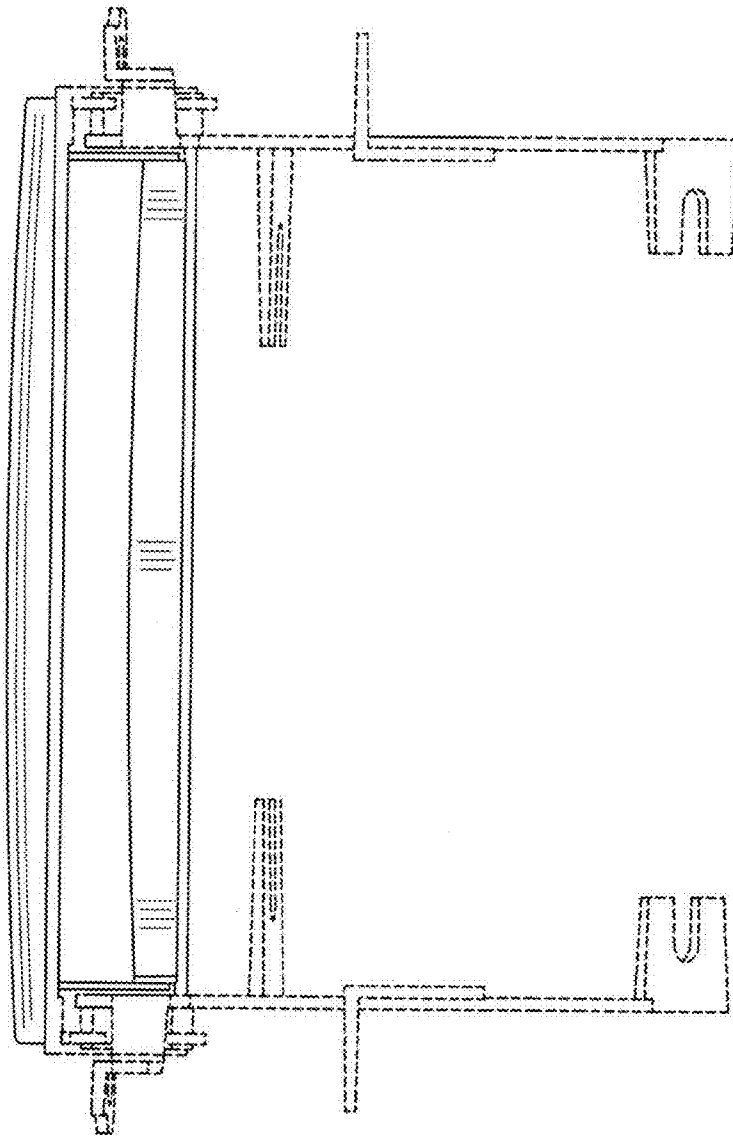


FIG. 7