



US00D751898S

(12) **United States Design Patent**
D'Anglade

(10) **Patent No.:** **US D751,898 S**
(45) **Date of Patent:** **** Mar. 22, 2016**

- (54) **COVER FOR A CONTAINER**
- (71) Applicant: **ABZAC Canada Inc.**, Quebec (CA)
- (72) Inventor: **Pierre-Michel D'Anglade**, Quebec (CA)
- (73) Assignee: **ABZAC Canada Inc.**, Quebec (CA)
- (**) Term: **14 Years**
- (21) Appl. No.: **29/492,672**
- (22) Filed: **Jun. 2, 2014**

5,699,959 A * 12/1997 Huspeka B65D 5/685
229/125.26

D412,117 S 7/1999 Page
6,196,408 B1 * 3/2001 Setty B31B 1/28
229/125.22

6,305,043 B1 10/2001 Rosnak
6,502,608 B1 1/2003 Burchett et al.
6,557,588 B2 5/2003 Wright
D543,108 S 5/2007 Reed et al.
7,581,671 B2 9/2009 Erdie
D635,027 S 3/2011 Gonzalez Sanchez et al.
8,031,073 B2 10/2011 Hogan et al.
8,181,847 B1 5/2012 Erdie
D675,922 S 2/2013 MacNeill et al.
D695,138 S 12/2013 Ball
D710,694 S * 8/2014 D'Anglade D9/435

Related U.S. Application Data

- (62) Division of application No. 29/416,661, filed on Mar. 26, 2012, now Pat. No. Des. 710,694.
- (51) **LOC (10) Cl.** **09-07**
- (52) **U.S. Cl.**
USPC **D9/435**
- (58) **Field of Classification Search**
USPC D9/435, 436, 440, 445, 447, 449, 450,
D9/452-454, 434; D7/392.1, 397, 398,
D7/591; 229/5.5, 125.17-125.32;
220/786-788
CPC ... A47G 19/24; B05C 17/00; B05C 17/00593
See application file for complete search history.

(Continued)

Primary Examiner — Susan Bennett Hattan
Assistant Examiner — Brett Miller
(74) *Attorney, Agent, or Firm* — Myers Bigel Sibley

(56) **References Cited**

U.S. PATENT DOCUMENTS

D57,052 S 2/1921 Ingram
D62,399 S 5/1923 Javal
D113,301 S 2/1939 McKee
2,597,848 A * 5/1952 Reeser B65D 5/48048
229/122.34

2,726,803 A 12/1955 Ketler
2,826,343 A 3/1958 Albiani
3,161,345 A 12/1964 McLeod
3,913,774 A 10/1975 Vajtay
5,372,269 A * 12/1994 Sutton B65D 3/04
229/125.28

5,377,860 A 1/1995 Littlejohn et al.
5,505,323 A 4/1996 Naoki et al.

(57) **CLAIM**
The ornamental design for a cover for a container, as shown and described.

DESCRIPTION

FIG. 1 is a perspective view of a cover for a container, showing a new design, and shown in extended view with its environment.

FIG. 2 is a top perspective view thereof.

FIG. 3 is a bottom perspective view thereof, opposite the view shown in FIG. 2.

FIG. 4 is a front view thereof;

FIG. 5 is a rear view thereof;

FIG. 6 is a left side view thereof;

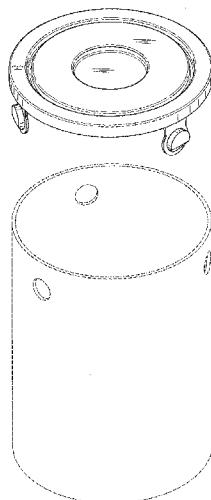
FIG. 7 is a right side view thereof;

FIG. 8 is a top view of thereof; and

FIG. 9 is a bottom view thereof, opposite the view shown in FIG. 8.

The broken lines shown herein depict environment only and form no part of the claimed design.

1 Claim, 5 Drawing Sheets



(56)

References Cited

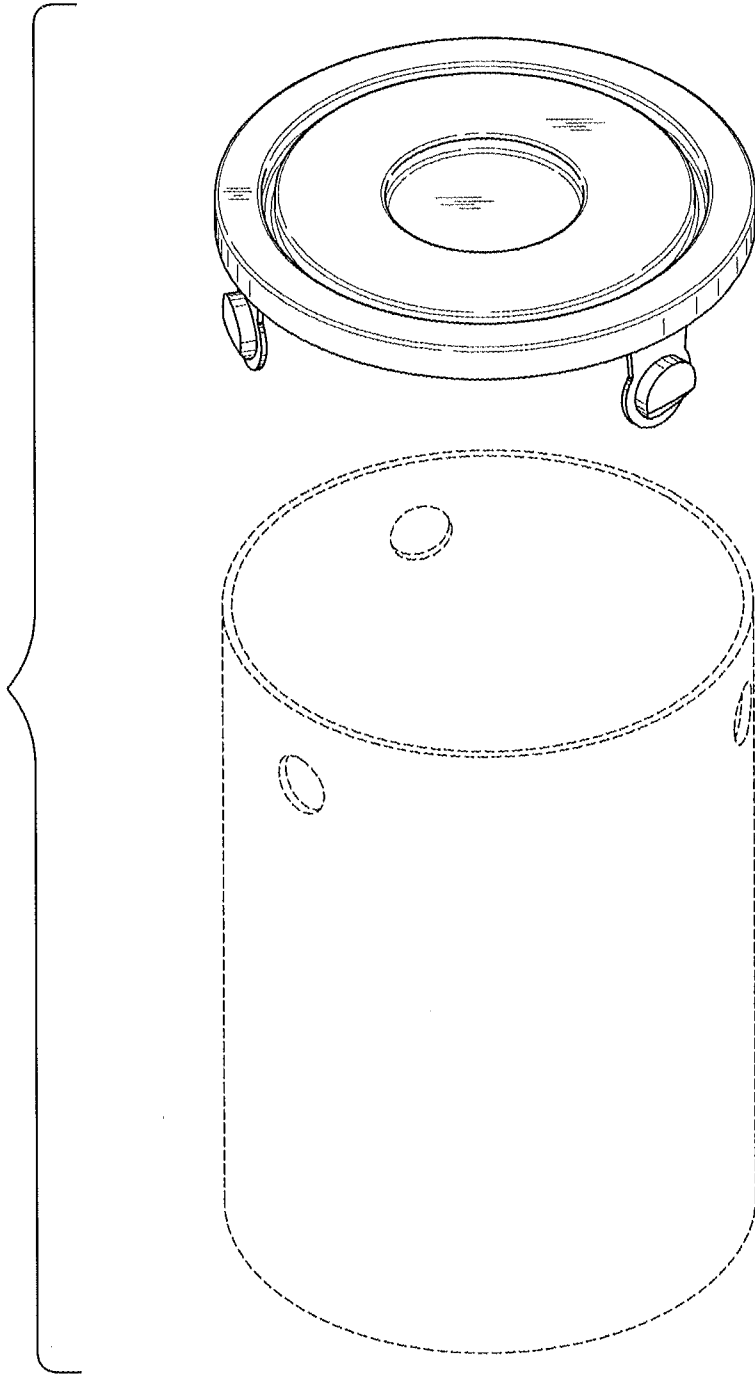
U.S. PATENT DOCUMENTS

D711,745 S * 8/2014 Humm D9/449
2004/0040959 A1 * 3/2004 Menceles B65D 21/0202
220/787
2005/0161463 A1 * 7/2005 Litchman B65D 59/02
220/787
2005/0205649 A1 * 9/2005 Erdie B65D 43/021
229/5.5

2005/0269241 A1 12/2005 Brooks et al.
2006/0191947 A1 * 8/2006 Jedryk B65D 43/0222
220/788
2007/0131738 A1 * 6/2007 Erdie B65D 59/02
229/5.5
2008/0088144 A1 4/2008 Crown
2008/0287880 A1 11/2008 Keller
2012/0028216 A1 2/2012 Mossle
2013/0140306 A1 6/2013 D'Anglade
2013/0216975 A1 8/2013 Fritze

* cited by examiner

FIG. 1



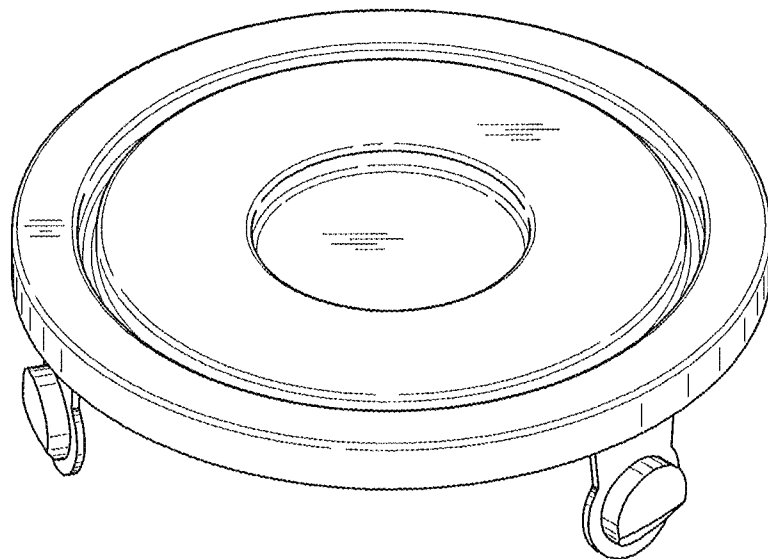


FIG. 2

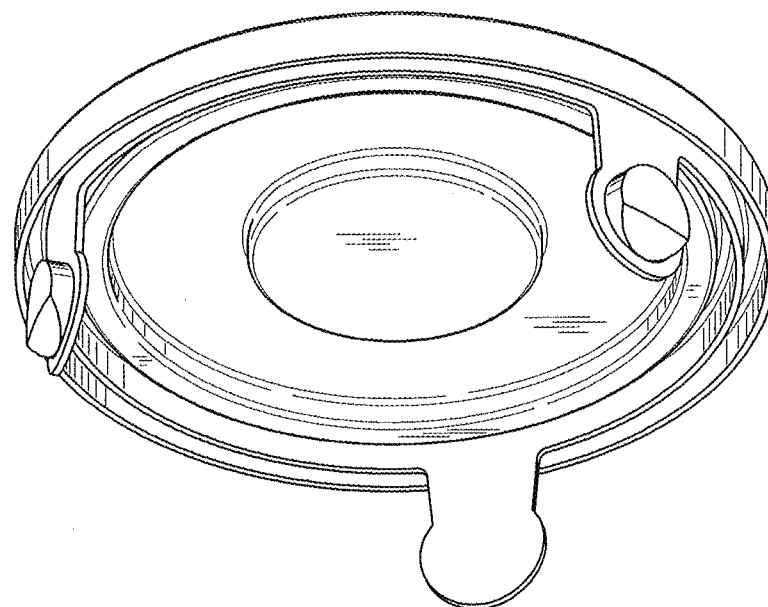


FIG. 3

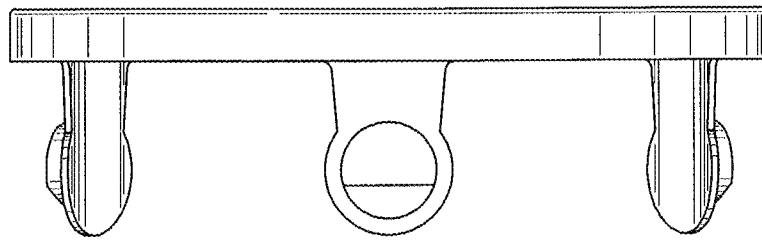


FIG. 4

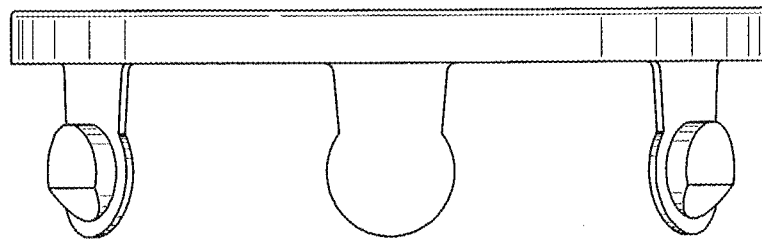


FIG. 5

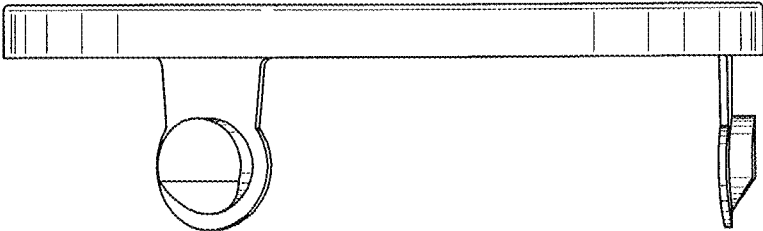


FIG. 6

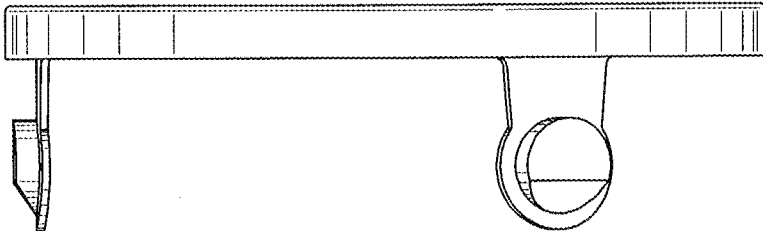


FIG. 7

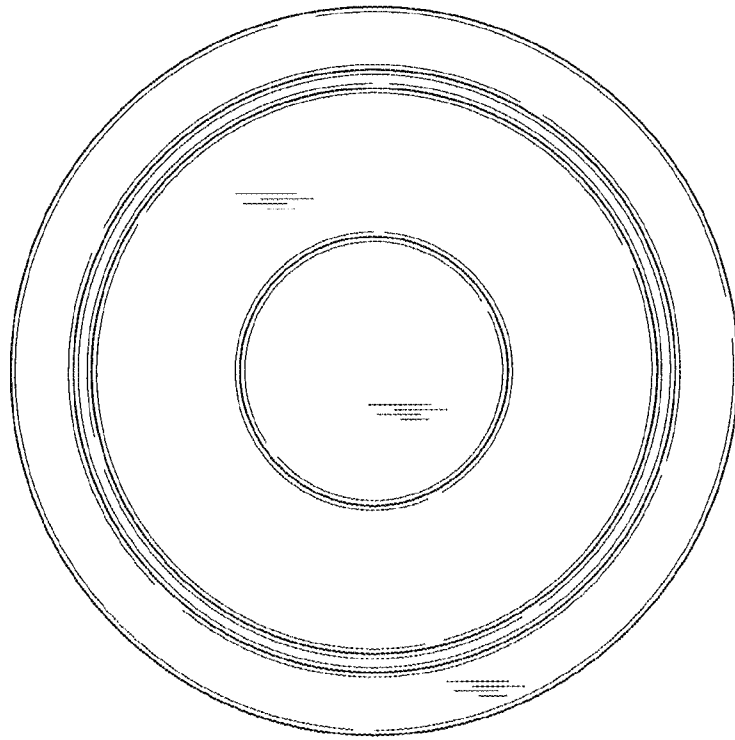


FIG. 8

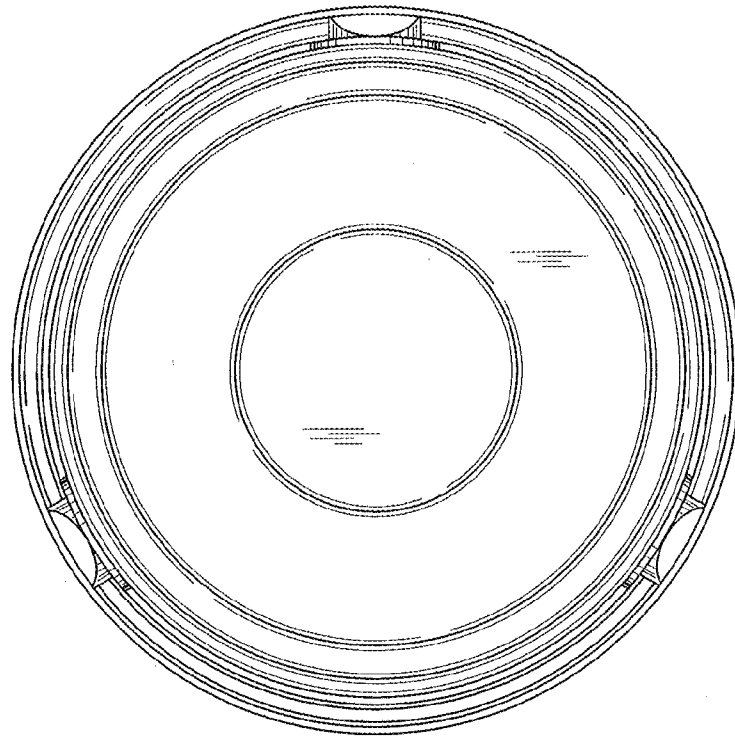


FIG. 9