



US00D744169S

(12) **United States Design Patent**  
**Langan**

(10) **Patent No.:** **US D744,169 S**

(45) **Date of Patent:** **\*\* Nov. 24, 2015**

(54) **HELMET COUNTERWEIGHT SHOVEL HEAD**

(71) Applicant: **Timothy Langan**, Mission Viejo, CA (US)

(72) Inventor: **Timothy Langan**, Mission Viejo, CA (US)

(73) Assignee: **SERE INDUSTRIES INC.**, Mission Viejo, CA (US)

(\*\*) Term: **14 Years**

(21) Appl. No.: **29/466,178**

(22) Filed: **Sep. 5, 2013**

(51) **LOC (10) Cl.** ..... **09-03**

(52) **U.S. Cl.**

USPC ..... **D29/102**

(58) **Field of Classification Search**

USPC ..... D29/12-110; 2/410-411, 421-425, 6.1, 2/6.2, 6.6, 6.7, 175.6, 203, 205, 206, 2/172-173, 5; 224/181; 294/59; 7/116

See application file for complete search history.

(56) **References Cited**

**U.S. PATENT DOCUMENTS**

576,756 A	2/1897	Cole
1,250,328 A	12/1917	Langford
1,955,419 A	4/1934	Gerard
2,848,924 A	8/1958	Potez
3,219,316 A	11/1965	Fried
3,308,477 A	3/1967	Boyd
4,000,520 A	1/1977	Svendsen
4,028,739 A	6/1977	Bell
4,162,132 A	7/1979	Kress
4,449,787 A	5/1984	Burbo
4,457,461 A	7/1984	Docking
4,476,393 A	10/1984	Wallace
4,697,783 A	10/1987	Kastendieck
4,700,420 A	10/1987	Belanger

D298,205 S	10/1988	Pollak
5,016,380 A	5/1991	Jones
5,033,140 A	7/1991	Chen
5,079,780 A	1/1992	Coombs
5,342,411 A	8/1994	Maxted
5,419,600 A	5/1995	Tisbo
5,483,698 A	1/1996	Douglas
5,535,484 A	7/1996	Gibson
5,638,566 A	6/1997	Wu

(Continued)

**FOREIGN PATENT DOCUMENTS**

CH	702761 A2	8/2011
CN	201552556	8/2010

(Continued)

**OTHER PUBLICATIONS**

"Crovell Extreme OD Green", SurvivalOutdoorGear.com, [http://www.survivaloutdoorgear.com/product\\_info.php?products\\_id=54176372](http://www.survivaloutdoorgear.com/product_info.php?products_id=54176372); Jun. 21, 2011; retrieved from wayback machine, web.archive.org/web/20110621085250/http://survivaloutdoorgear.com/.

*Primary Examiner* — Ruth McInroy

(74) *Attorney, Agent, or Firm* — Fish & Tsang LLP

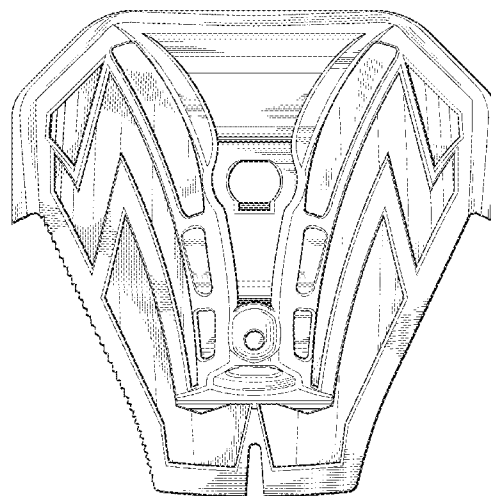
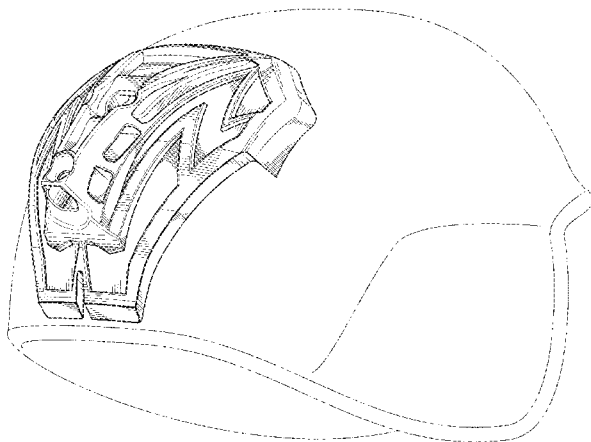
(57) **CLAIM**

I claim the ornamental design for a helmet counterweight shovel head, as shown and described.

**DESCRIPTION**

FIG. 1 is a top, rear and right side perspective view of a helmet counterweight shovel head showing my new design; FIG. 2 is a top, rear and right side perspective view thereof; FIG. 3 is a bottom plan view thereof; FIG. 4 is a top plan view thereof; FIG. 5 is a left side elevation view thereof; FIG. 6 is a right side elevation view thereof; FIG. 7 is a rear elevation view thereof; and, FIG. 8 is a front elevation view thereof.

**1 Claim, 6 Drawing Sheets**



(56)

References Cited

U.S. PATENT DOCUMENTS

5,658,065 A 8/1997 Jamieson  
 5,685,065 A 11/1997 Suzuki  
 D390,581 S 2/1998 Palmer  
 5,752,298 A 5/1998 Howell  
 5,799,996 A 9/1998 Fredrickson  
 5,975,601 A 11/1999 Spear  
 5,996,127 A 12/1999 Leslie  
 5,996,128 A \* 12/1999 Yanagihara ..... 2/422  
 6,286,400 B1 9/2001 Anderson  
 6,289,540 B1 9/2001 Emonds  
 6,357,067 B1 3/2002 Jones  
 6,374,407 B1 4/2002 Howell  
 D457,274 S \* 5/2002 Taniuchi et al. .... D29/122  
 D457,691 S \* 5/2002 Taniuchi et al. .... D29/122  
 6,439,630 B1 8/2002 Eatmon  
 D468,062 S \* 12/2002 Santiago ..... D29/103  
 D476,779 S \* 7/2003 Tanaka ..... D29/122  
 6,606,192 B2 8/2003 Haran  
 6,671,913 B2 1/2004 Wozniak  
 6,871,892 B2 3/2005 Holman  
 6,910,228 B2 \* 6/2005 Tanaka ..... 2/424  
 6,948,208 B1 9/2005 Schlenner  
 7,052,128 B1 5/2006 Kung-Ping  
 7,059,420 B1 6/2006 Wei  
 7,219,382 B2 5/2007 Johnson  
 7,234,173 B2 6/2007 McCalla  
 7,347,468 B1 3/2008 Tidcomb  
 D575,905 S \* 8/2008 Davis et al. .... D29/102

7,574,754 B2 \* 8/2009 Arai ..... 2/410  
 7,735,158 B2 \* 6/2010 Tsurumi ..... 2/410  
 7,753,421 B2 7/2010 Conaway  
 7,841,026 B2 11/2010 Makris  
 7,963,426 B2 \* 6/2011 Gruebel et al. .... 224/181  
 8,245,326 B1 \* 8/2012 Tolve ..... 2/422  
 8,341,771 B2 \* 1/2013 Lee ..... 2/424  
 D677,006 S \* 2/2013 Pfanner et al. .... D29/102  
 2001/0022686 A1 9/2001 Haran  
 2002/0020537 A1 2/2002 Shonfeld  
 2006/0097530 A1 5/2006 Marquardt  
 2007/0000031 A1 \* 1/2007 Makris et al. .... 2/411  
 2007/0022520 A1 2/2007 Grassl  
 2007/0145756 A1 6/2007 DeWinter  
 2008/0136916 A1 6/2008 Wolff  
 2009/0126538 A1 5/2009 Miers  
 2010/0146684 A1 \* 6/2010 Rivas et al. .... 2/422  
 2014/0000013 A1 \* 1/2014 Redpath et al. .... 2/422  
 2014/0189938 A1 \* 7/2014 Redpath et al. .... 2/422

FOREIGN PATENT DOCUMENTS

CN 201841554 5/2011  
 GB 2359268 A 8/2001  
 GB 2440918 A 2/2008  
 GB 2465711 A 6/2010  
 WO 9836633 A1 8/1998  
 WO 2006084223 8/2006  
 WO 2008050307 5/2008  
 WO 2010130949 A1 11/2010

\* cited by examiner

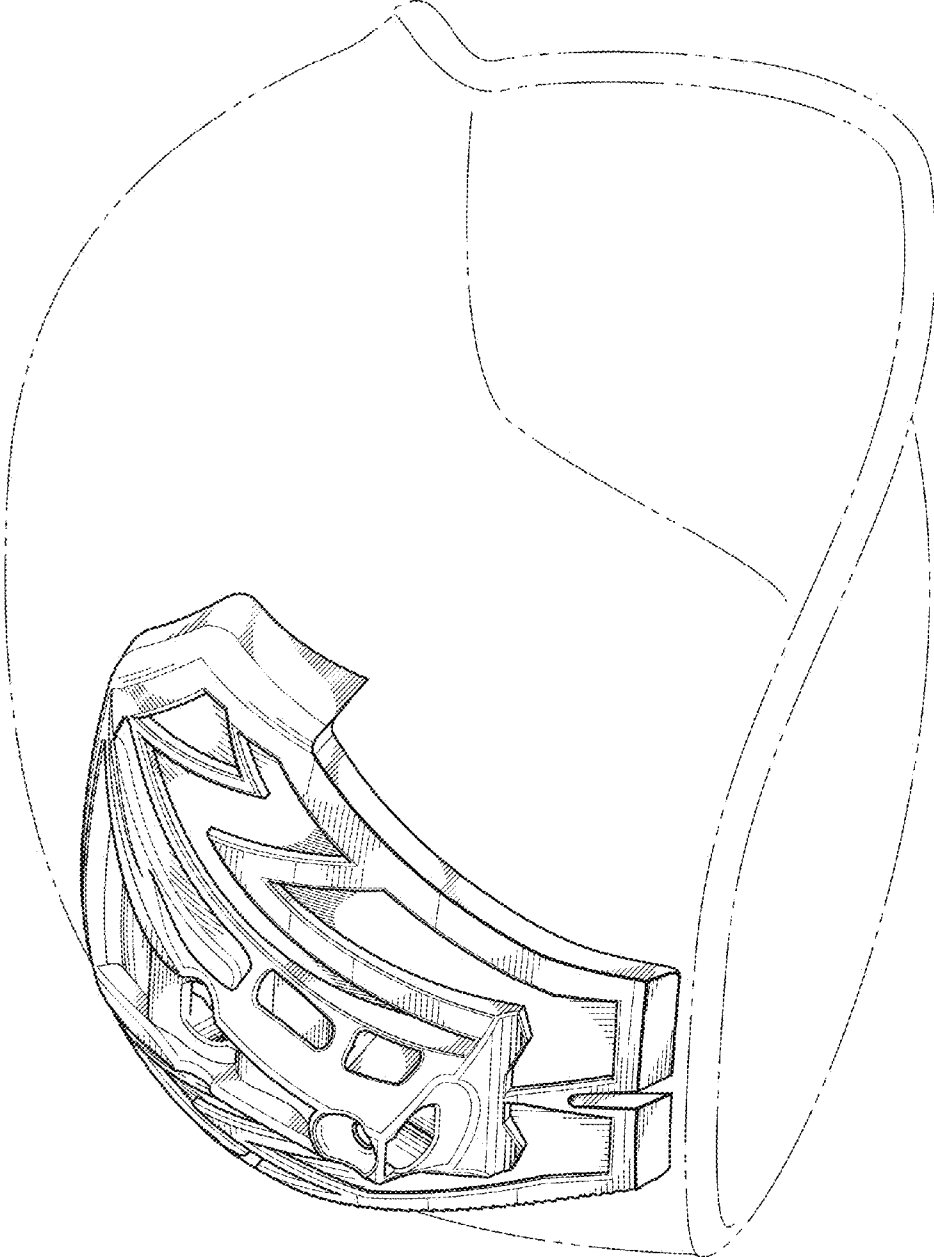


FIG. 1

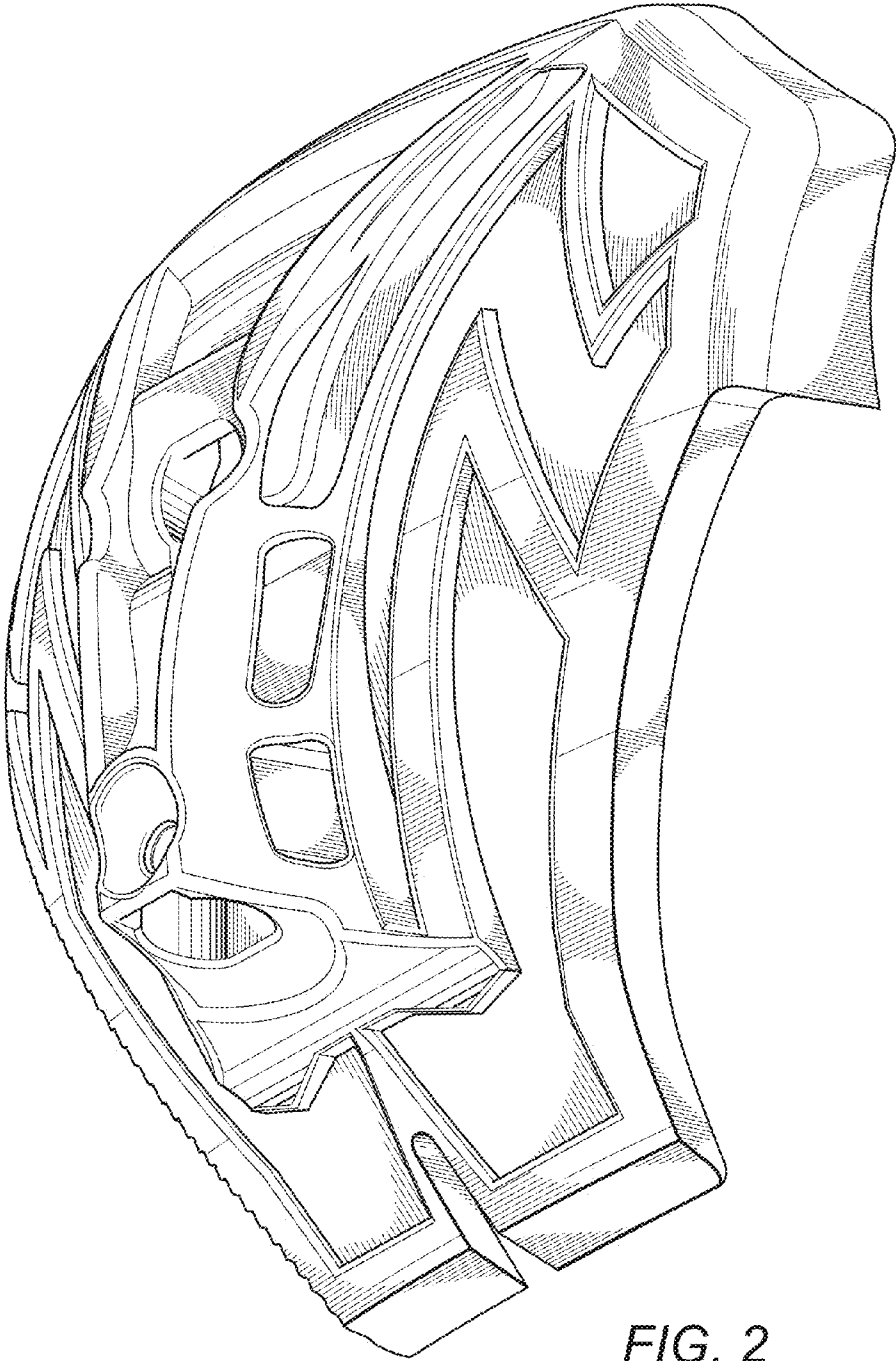


FIG. 2

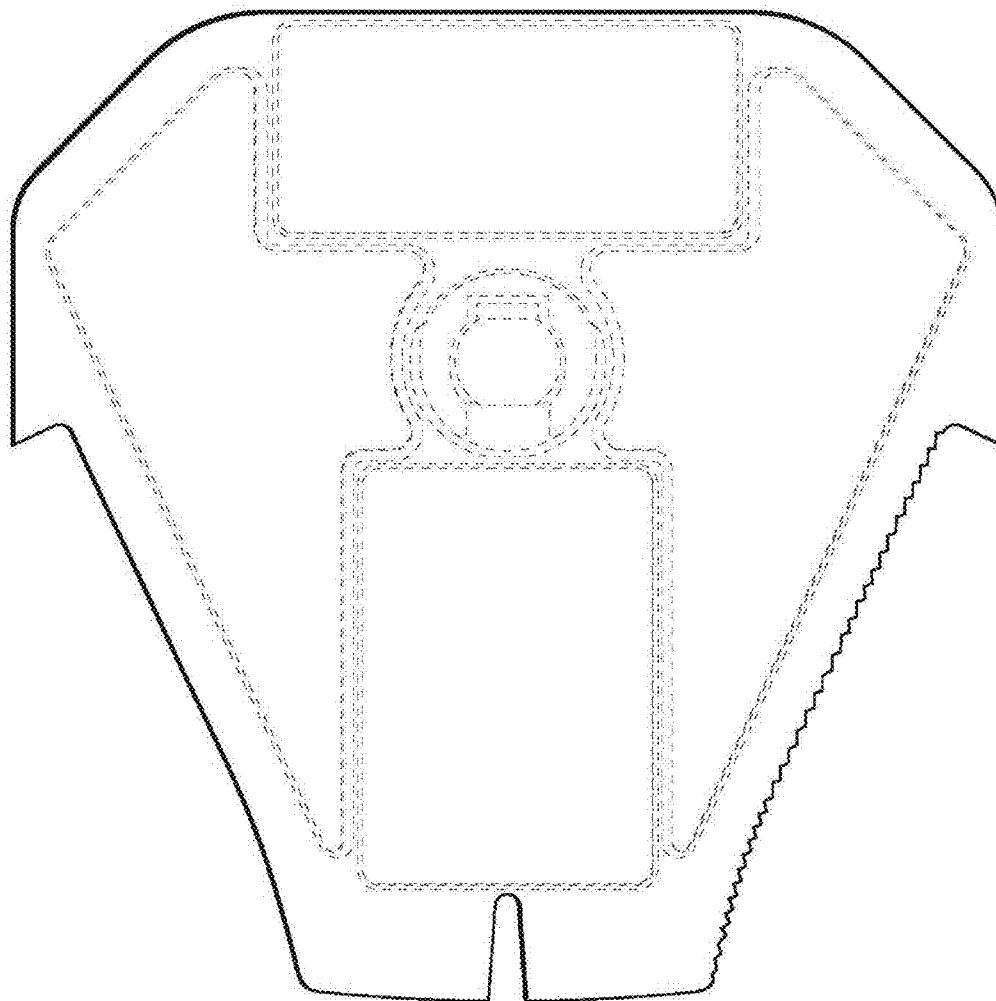


FIG. 3

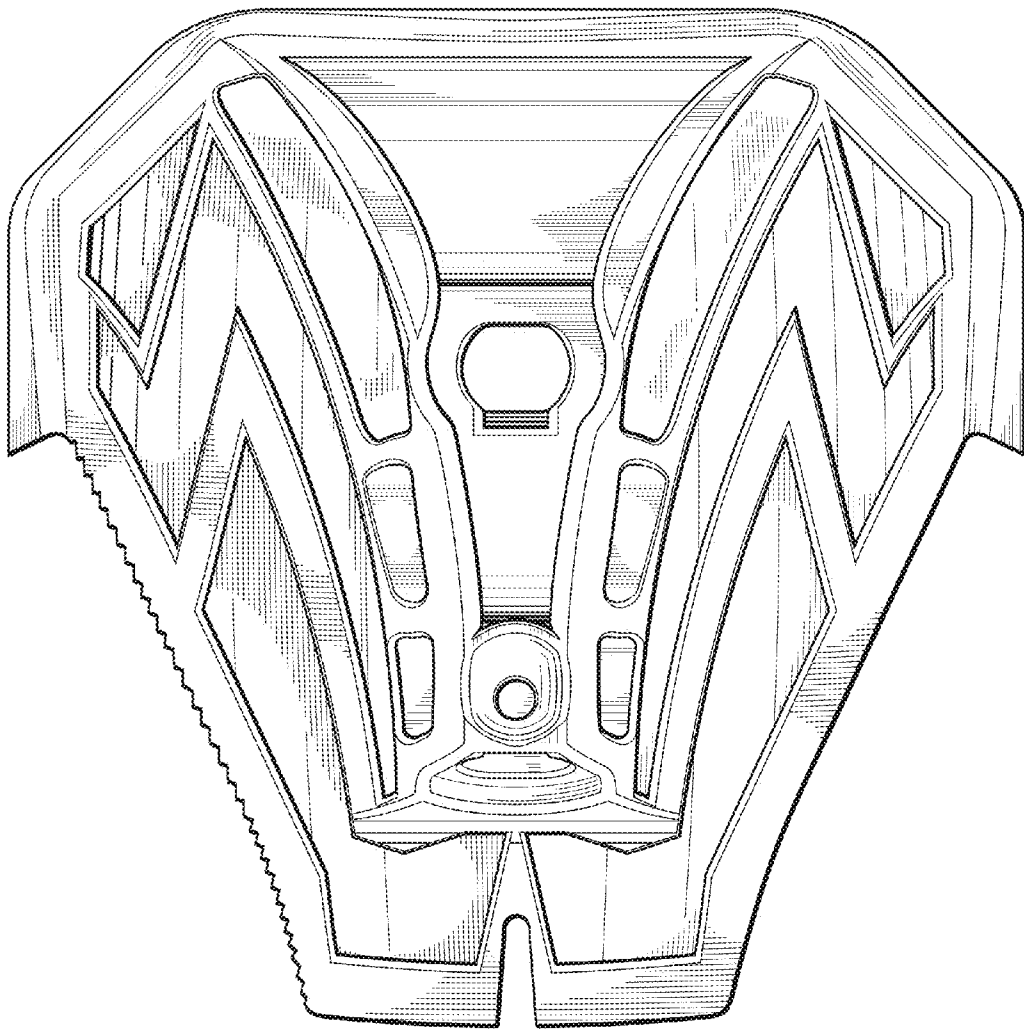


FIG. 4

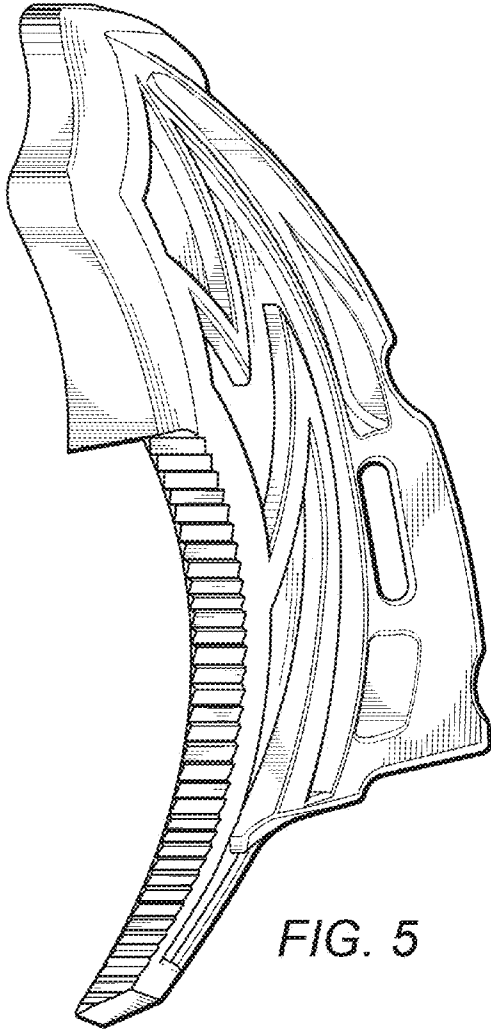


FIG. 5

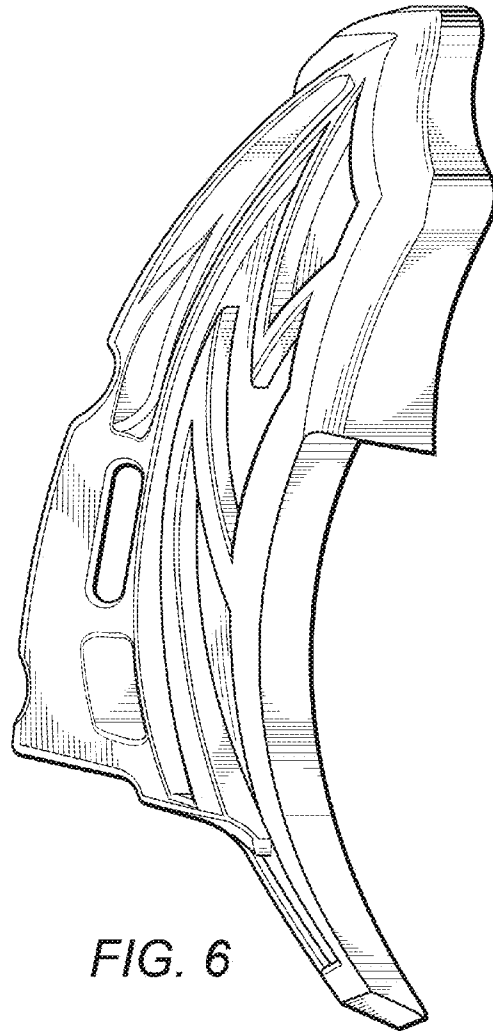


FIG. 6

FIG. 7

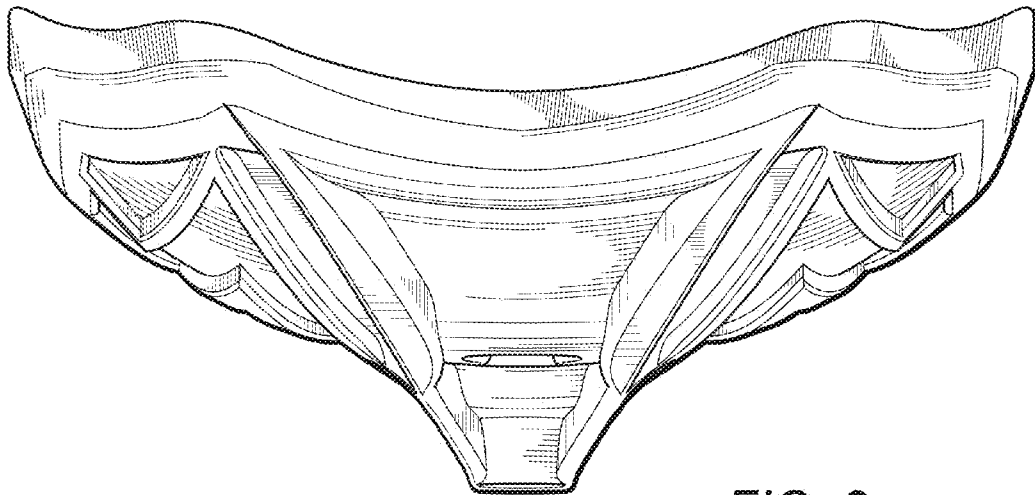
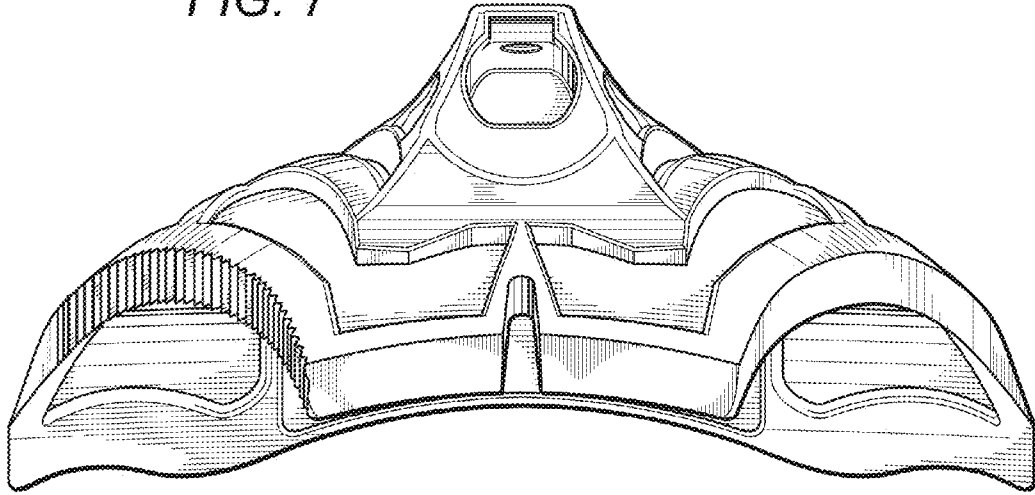


FIG. 8