

CORRECTED VERSION

(19) World Intellectual Property Organization
International Bureau



(43) International Publication Date
1 November 2007 (01.11.2007)

PCT

(10) International Publication Number
WO 2007/122009 A8

(51) International Patent Classification:
F41H 5/04 (2006.01)

(21) International Application Number:
PCT/EP2007/003684

(22) International Filing Date: 26 April 2007 (26.04.2007)

(25) Filing Language: English

(26) Publication Language: English

(30) Priority Data:
06008600.6 26 April 2006 (26.04.2006) EP
06013452.5 29 June 2006 (29.06.2006) EP
06026723.4 22 December 2006 (22.12.2006) EP
60/876,545 22 December 2006 (22.12.2006) US

(71) Applicant (for all designated States except US): DSM IP ASSETS B.V. [NL/NL]; Het Overloon 1, NL-6411 TE Heerlen (NL).

(72) Inventors; and

(75) Inventors/Applicants (for US only): MENCCKE, Jacobus Johannes [NL/NL]; Ambyerstraat Zuid 45, NL-AV Maastricht (NL). SIMMELINK, Joseph Arnold Paul Maria [NL/NL]; Ceciliastraat 15, NL-6137 AH Sittard (NL). STEEMAN, Reinard Jozef Maria [NL/NL]; Jan Evertsenstraat 31, NL-6181 DD Elsloo (NL). MARISEN, Roelof [NL/NL]; Koningstraat 55, NL-6121 HS Born (NL). CALIS, Gijsbertus, Hendrikus, Maria [NL/NL]; Burgemeester Kengenstraat 60, NL-6336 BK Hulsberg (NL). BEUGELS, Jean Hubert Marie [NL/NL]; Brikkebekker 74, NL-6372 DS Landgraaf (NL). VANEK, David [US/US]; 4326 Mountain Cove Drive,

Charlotte, NC 28216 (US). VAN ELBURG, Johann [NL/NL]; Bijgelshovenerweg 2C, NL-6374 KC Landgraaf (NL). PETERS, Alexander Volker [DE/DE]; Auf der Huels 61, 52080 Aachen (DE). TANDERUP, Steen [DK/NL]; Mosalunet 98, NL-6221 JM Maastricht (NL). DORSCHU, Marko [NL/NL]; Ecrivissestraat 9, NL-6191 CH Beek (NL).

(74) Agent: STEFFANIE, Leonardus, Gerardus; DSM Intellectual Property, P.O. Box 9, NL-6160 MA Geleen (NL).

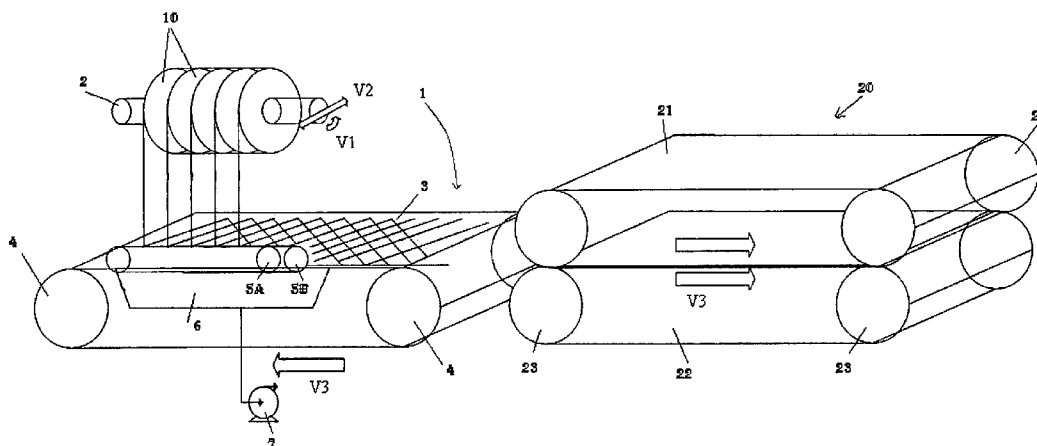
(81) Designated States (unless otherwise indicated, for every kind of national protection available): AE, AG, AL, AM, AT, AU, AZ, BA, BB, BG, BH, BR, BW, BY, BZ, CA, CH, CN, CO, CR, CU, CZ, DE, DK, DM, DZ, EC, EE, EG, ES, FI, GB, GD, GE, GH, GM, GT, HN, HR, HU, ID, IL, IN, IS, JP, KE, KG, KM, KN, KP, KR, KZ, LA, LC, LK, LR, LS, LT, LU, LY, MA, MD, MG, MK, MN, MW, MX, MY, MZ, NA, NG, NI, NO, NZ, OM, PG, PH, PL, PT, RO, RS, RU, SC, SD, SE, SG, SK, SL, SM, SV, SY, TJ, TM, TN, TR, TT, TZ, UA, UG, US, UZ, VC, VN, ZA, ZM, ZW.

(84) Designated States (unless otherwise indicated, for every kind of regional protection available): ARIPO (BW, GH, GM, KE, LS, MW, MZ, NA, SD, SL, SZ, TZ, UG, ZM, ZW), Eurasian (AM, AZ, BY, KG, KZ, MD, RU, TJ, TM), European (AT, BE, BG, CH, CY, CZ, DE, DK, EE, ES, FI, FR, GB, GR, HU, IE, IS, IT, LT, LU, LV, MC, MT, NL, PL, PT, RO, SE, SI, SK, TR), OAPI (BF, BJ, CF, CG, CI, CM, GA, GN, GQ, GW, ML, MR, NE, SN, TD, TG).

Published:
— with international search report

[Continued on next page]

(54) Title: MULTILAYERED MATERIAL SHEET AND PROCESS FOR ITS PREPARATION



(57) Abstract: The invention relates to a multilayered material sheet comprising a consolidated stack of unidirectional monolayers of drawn polymer, whereby the draw direction of two subsequent monolayers in the stack differs. At least one monolayer comprises a plurality of unidirectional tapes of the drawn polymer, aligned in the same direction, whereby adjacent tapes do not overlap. The invention also relates to a process for the preparation of the multilayered material sheet, and to a ballistic resistant article comprising the multilayered material sheet.

WO 2007/122009 A8



(48) Date of publication of this corrected version:

22 January 2009

(15) Information about Correction:

see Notice of 22 January 2009