



US00D507636S

(12) **United States Design Patent**
Baraky et al.

(10) **Patent No.:** **US D507,636 S**

(45) **Date of Patent:** **** Jul. 19, 2005**

(54) **ELECTRIC AROMATHERAPY DIFFUSER**

D466,204	*	11/2002	Wolpert et al.	D23/366
D469,862	*	2/2003	Cruver et al.	D23/366
D489,123	*	4/2004	Basaganas Millan	D23/366
D501,546	*	2/2005	Cruver et al.	D23/366
6,850,697	*	2/2005	Basaganas Millan	392/390

(75) Inventors: **David Baraky**, New Albany, OH (US);
John Brennan, Columbus, OH (US)

(73) Assignee: **Bath & Body Works, Inc.**,
Reynoldsburg, OH (US)

* cited by examiner

(**) Term: **14 Years**

Primary Examiner—Antoine Duval Davis

Assistant Examiner—Sandra Snapp

(74) *Attorney, Agent, or Firm*—Ward & Olivo

(21) Appl. No.: **29/198,319**

(57) **CLAIM**

(22) Filed: **Jan. 27, 2004**

The ornamental design for an electric aromatherapy diffuser,
as shown and described.

(51) **LOC (8) Cl.** **23-04**

(52) **U.S. Cl.** **D23/366**

(58) **Field of Search** 239/135, 136,
239/58; 261/DIG. 17, DIG. 65; D23/356-369;
392/390, 392

DESCRIPTION

FIG. 1 is a perspective view of an electric aromatherapy
diffuser showing our new design;
FIG. 2 is a front plan view thereof;
FIG. 3 is a rear plan view thereof;
FIG. 4 is a right side plan view thereof;
FIG. 5 is a top plan view thereof; and,
FIG. 6 is a bottom plan view thereof.

(56) **References Cited**

U.S. PATENT DOCUMENTS

D437,636	*	2/2001	Basaganas	D23/366
D440,291	*	4/2001	Wolpert et al.	D23/360
D461,885	*	8/2002	Basaganas Millan	D23/366

1 Claim, 3 Drawing Sheets

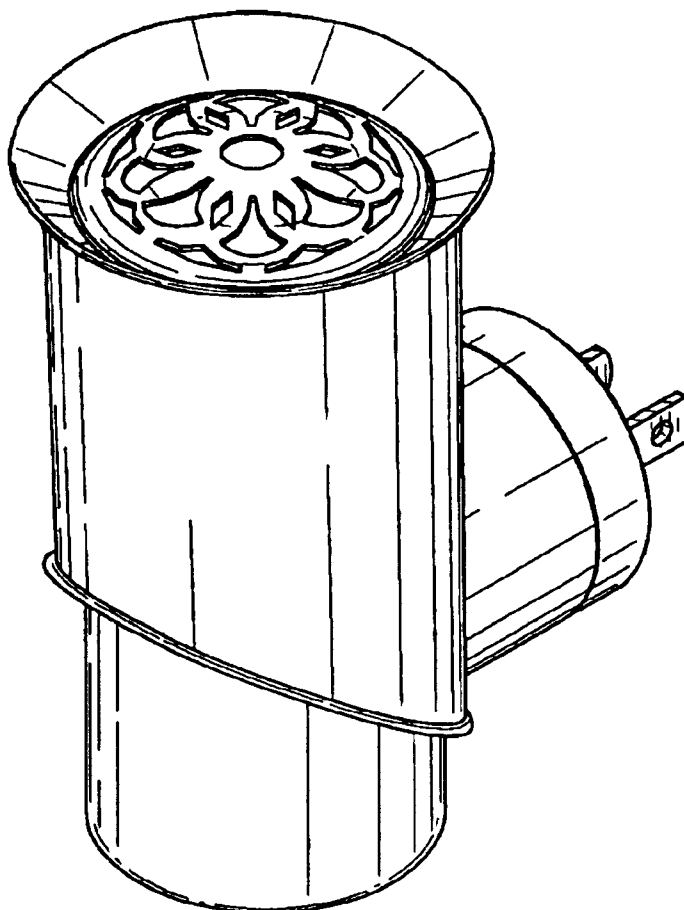


FIG. 1

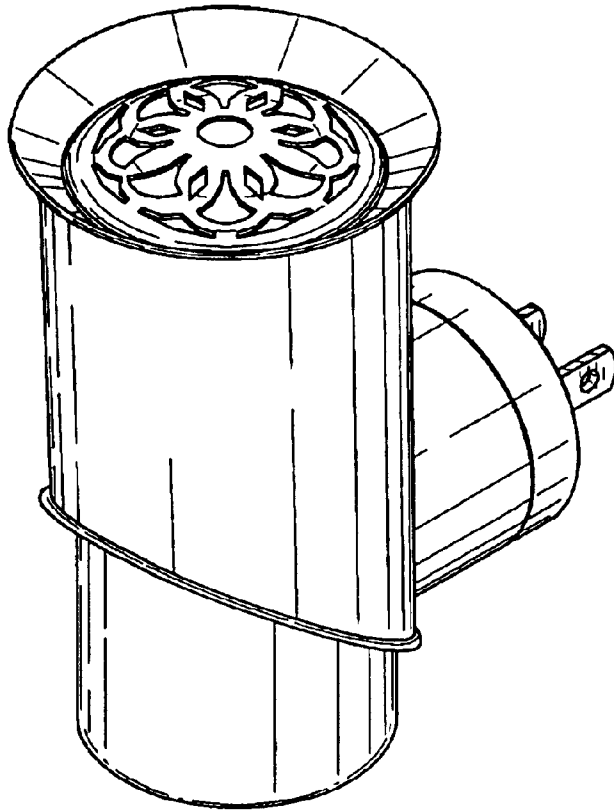


FIG. 2

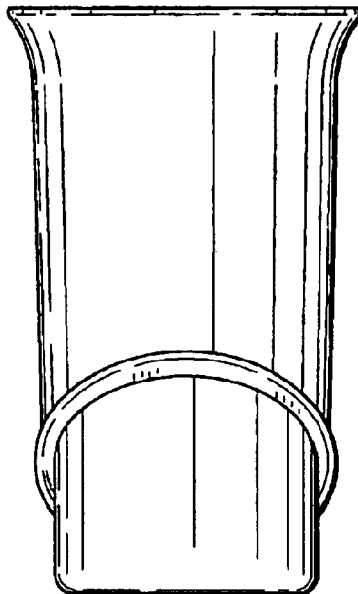


FIG. 3

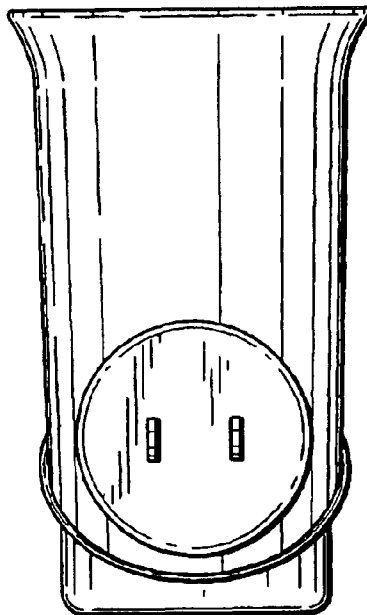


FIG. 4

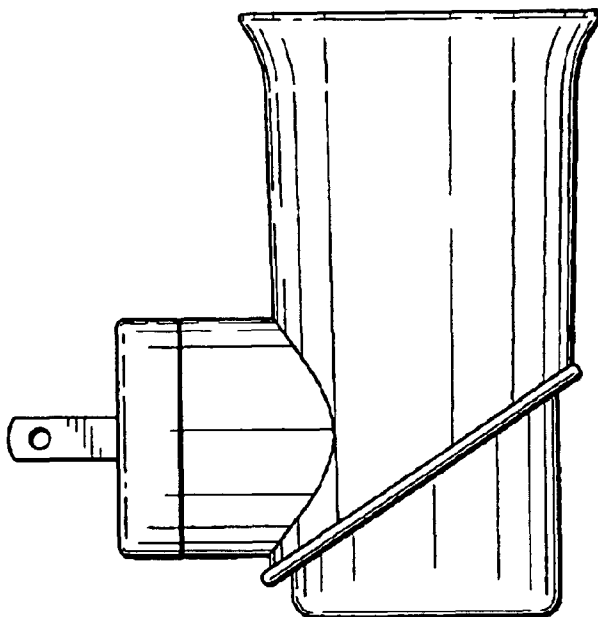


FIG. 5

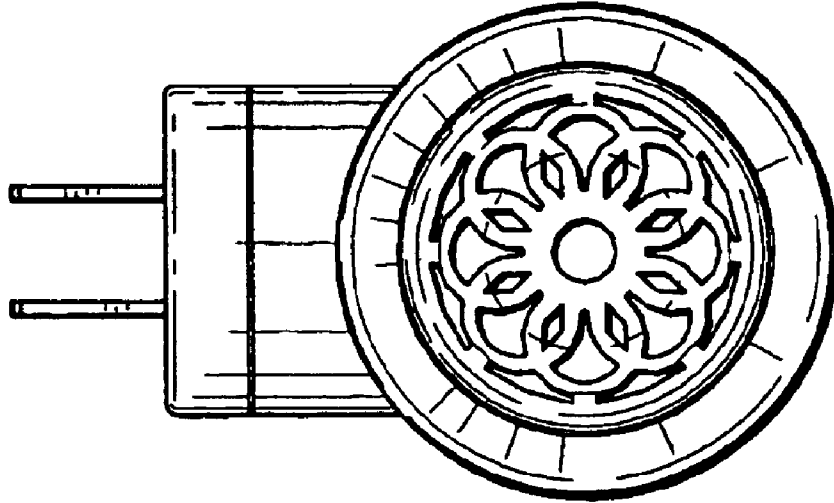


FIG. 6

