



US00D775469S

(12) **United States Design Patent**
Sikora et al.

(10) **Patent No.:** **US D775,469 S**
(45) **Date of Patent:** **** Jan. 3, 2017**

- (54) **TOOTHBRUSH HEAD**
- (71) Applicant: **Braun GmbH**, Kronberg (DE)
- (72) Inventors: **Bernhard Sikora**, Kelkheim (DE);
Wolfgang Stegmann, Frankfurt am
Main (DE)
- (73) Assignee: **BRAUN GMBH**, Cincinnati, OH (US)
- (**) Term: **14 Years**
- (21) Appl. No.: **29/464,205**
- (22) Filed: **Aug. 14, 2013**
- (51) **LOC (10) Cl.** **04-02**
- (52) **U.S. Cl.**
USPC **D4/102**
- (58) **Field of Classification Search**
USPC D4/101, 104-112, 127; 15/110, 167.1,
15/167.2, 176.1; 601/139, 141, 142
CPC A46B 5/0095; A46B 7/00; A46B 7/04;
A46B 7/042; A46B 9/00; A46B
9/02; A46B 9/025; A46B 9/04; A46B
9/045; A46B 2200/00; A46B
2200/10; A46B 2200/1026; A46B
2200/1066; A46B 2200/1073; A46B
2200/1086; A61C 17/16; A61C
17/20; A61C 17/22; A61C 17/24; A61C
17/26; A61C 17/32; A61C 17/34; A61C
17/3427; A61C 17/3436
See application file for complete search history.

D688,045 S * 8/2013 Key et al. D4/101
D689,698 S * 9/2013 Dickie et al. D4/101
2002/0138926 A1* 10/2002 Brown et al. 15/22.1

FOREIGN PATENT DOCUMENTS

JP 05137615 A * 6/1993
JP 1383483 S * 3/2010

OTHER PUBLICATIONS

WIPO DM/071932 Registered Design, (Procter & Gamble Co.)
Oct. 31, 2009, [online], [retrieved on Jun. 14, 2015] Retrieved from
the WIPO Global Design Database of the World Intellectual Prop-
erty Organization using the Internet: <URL: http://www.wipo.int>.*

* cited by examiner

Primary Examiner — Susan E Krakower
Assistant Examiner — Lisa A Grabenstetter

(57) **CLAIM**

The ornamental design for a toothbrush head, as shown and described.

DESCRIPTION

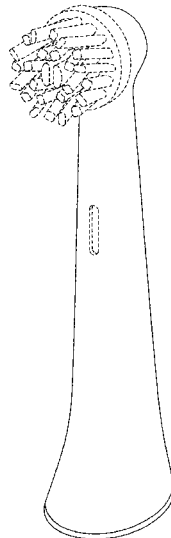
FIG. 1 is a perspective view of a toothbrush head showing our new design;
FIG. 2 is a front view thereof;
FIG. 3 is a right side view thereof;
FIG. 4 is a rear view thereof;
FIG. 5 is a left side view thereof;
FIG. 6 is a top plan view thereof; and,
FIG. 7 is a bottom view thereof.
The broken lines showing bristles and other features, represent portions of the toothbrush head which form no part of the claimed design.

1 Claim, 7 Drawing Sheets

(56) **References Cited**

U.S. PATENT DOCUMENTS

6,349,442 B1 * 2/2002 Cohen et al. 15/22.1
D485,439 S * 1/2004 Breit D4/101
D579,664 S * 11/2008 Fisher et al. D4/101
7,788,756 B2 * 9/2010 Kraemer 15/28
8,458,841 B2 * 6/2013 Haas et al. 15/29
D687,636 S * 8/2013 Driesen et al. D4/101



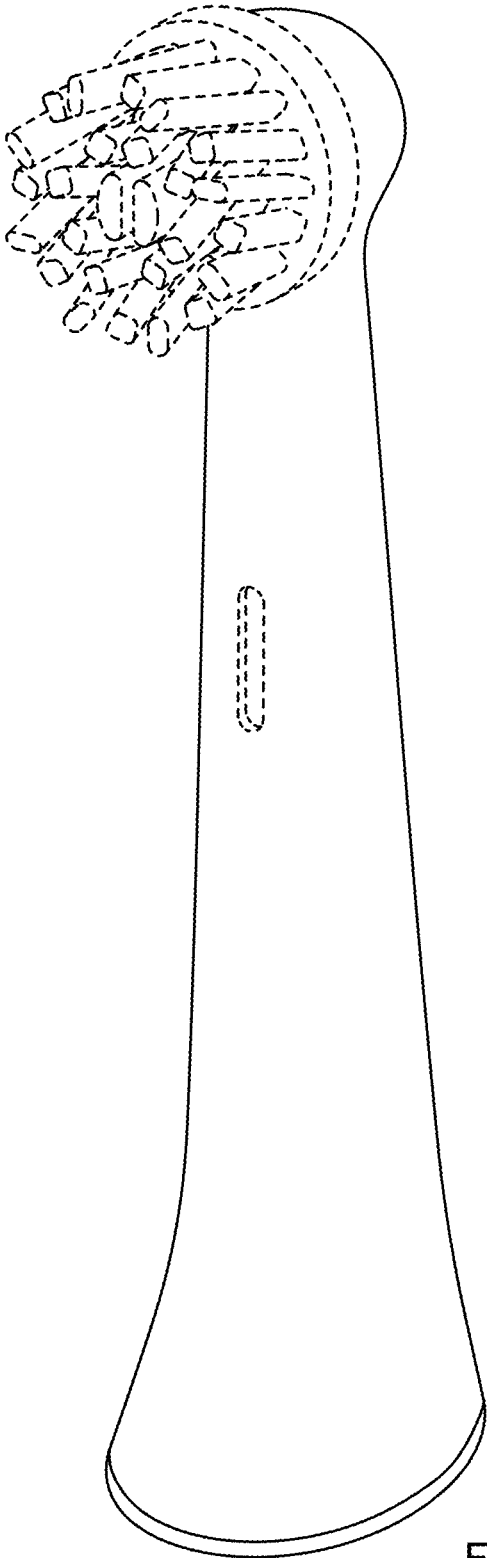


Fig. 1

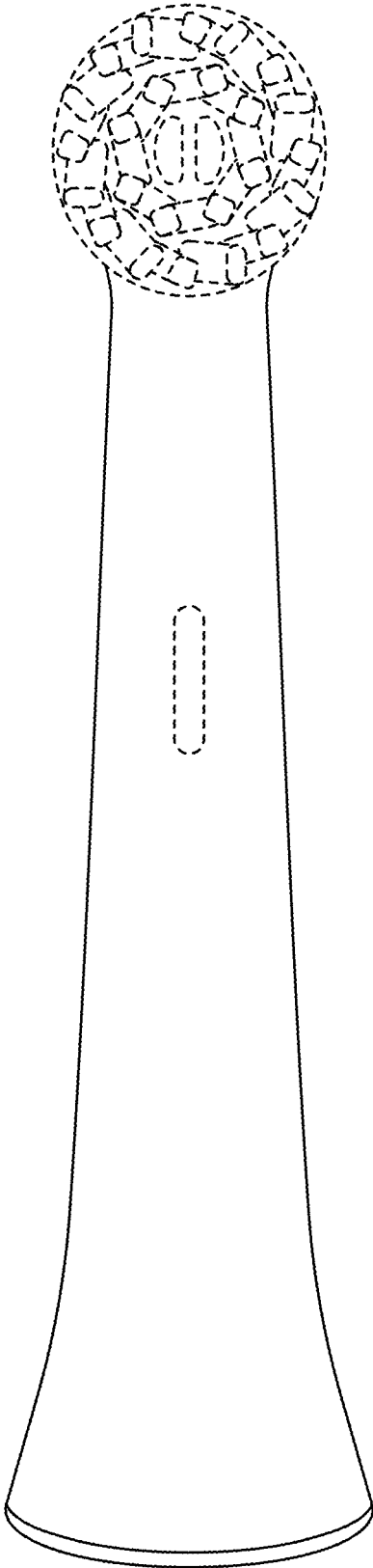


Fig. 2

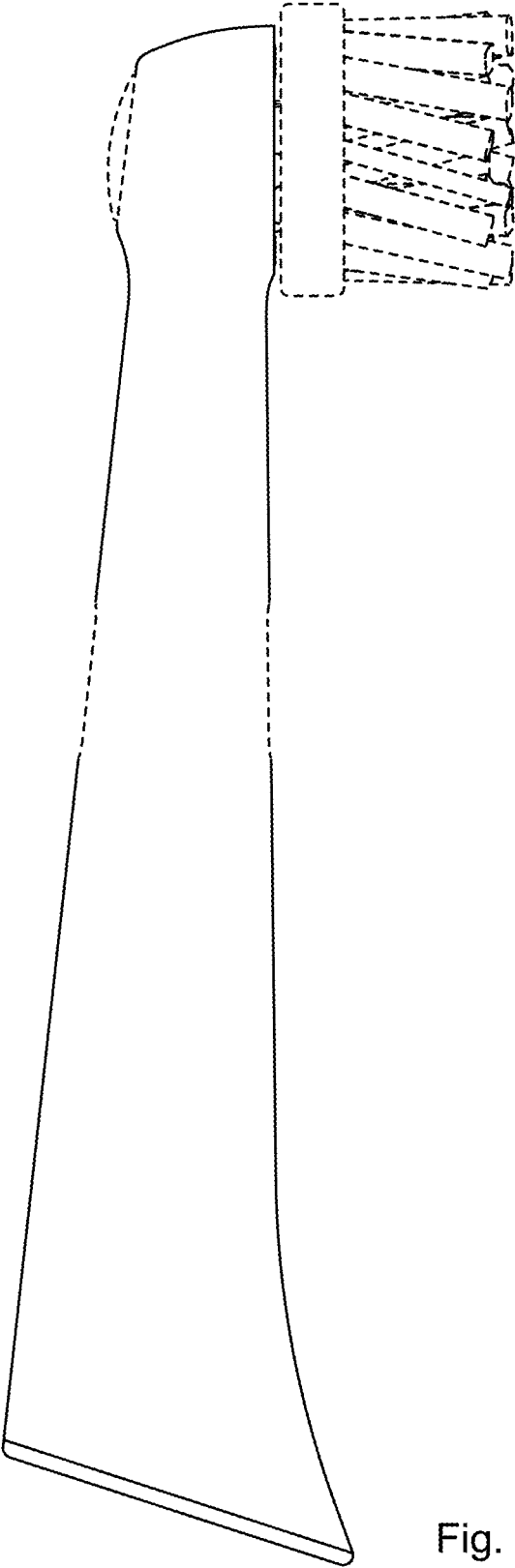


Fig. 3

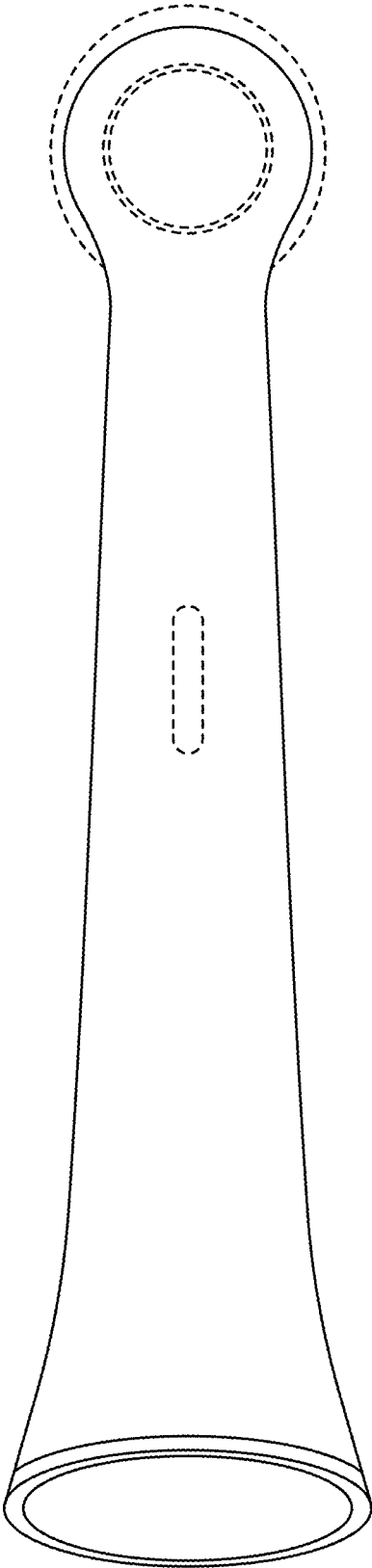


Fig. 4

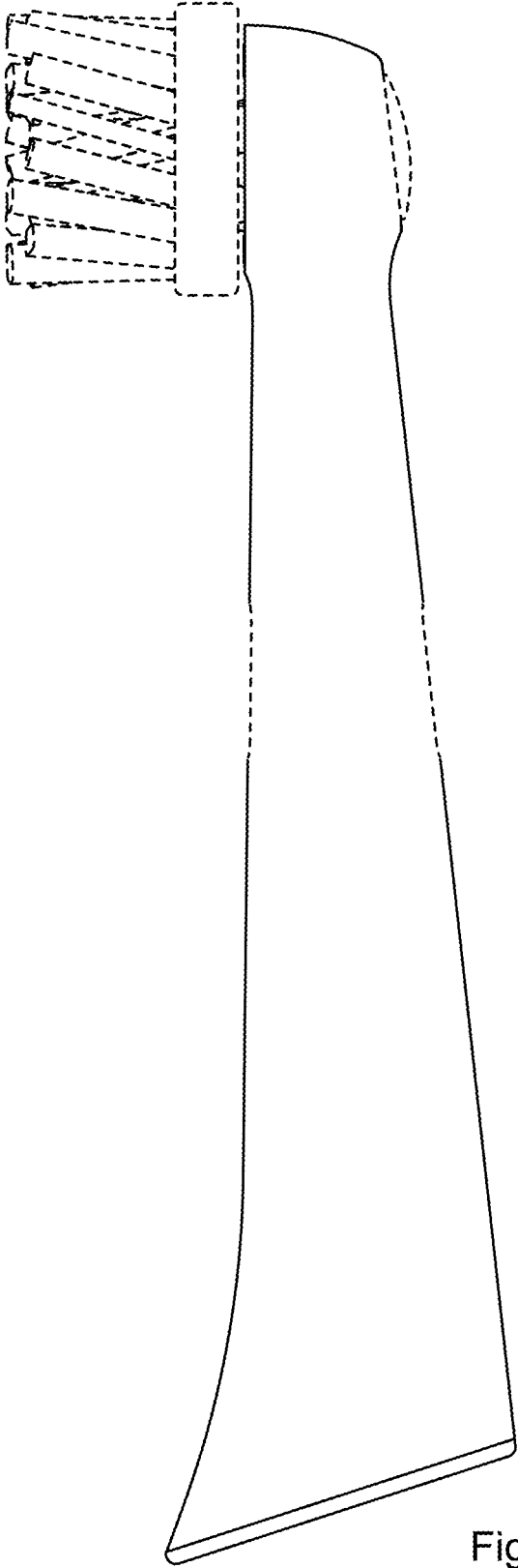


Fig. 5

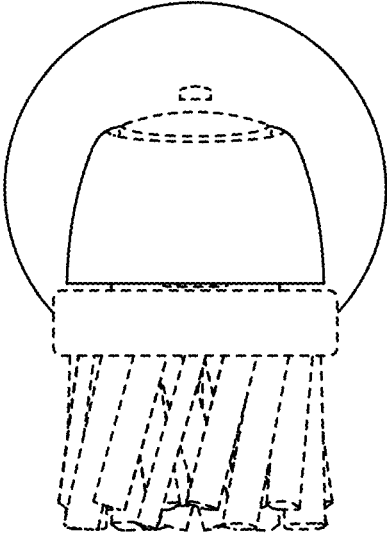


Fig. 6

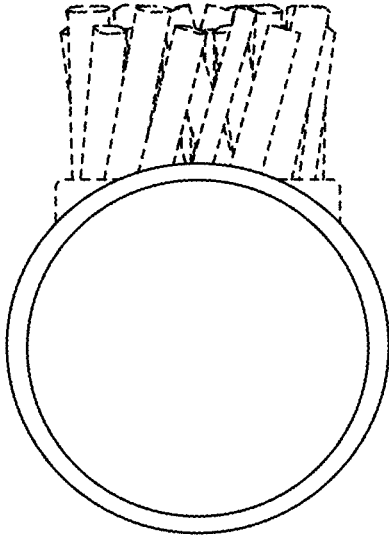


Fig. 7