

(19) World Intellectual Property Organization
International Bureau



(43) International Publication Date
11 October 2001 (11.10.2001)

PCT

(10) International Publication Number
WO 01/74441 A3

(51) International Patent Classification⁷: A61N 1/368, 1/37

(21) International Application Number: PCT/US01/09877

(22) International Filing Date: 28 March 2001 (28.03.2001)

(25) Filing Language: English

(26) Publication Language: English

(30) Priority Data:
09/540,388 31 March 2000 (31.03.2000) US

(71) Applicant: CARDIAC PACEMAKERS, INC. [US/US];
4100 Hamline Avenue North, St. Paul, MN 55112 (US).

(72) Inventors: RUSSIE, Renold, J.; 2306 Eastman Drive,
New Brighton, MN 55112 (US). ZHU, Qingsheng; 3025
Valento Lane, Little Canada, MN 55117 (US).

(74) Agent: VIKSNINS, Ann, S.; Schwegman, Lundberg,
Woessner & Kluth, P.O. Box 2938, Minneapolis, MN
55402 (US).

(81) Designated States (*national*): AE, AG, AL, AM, AT, AU, AZ, BA, BB, BG, BR, BY, BZ, CA, CH, CN, CO, CR, CU, CZ, DE, DK, DM, DZ, EE, ES, FI, GB, GD, GE, GH, GM, HR, HU, ID, IL, IN, IS, JP, KE, KG, KP, KR, KZ, LC, LK, LR, LS, LT, LU, LV, MA, MD, MG, MK, MN, MW, MX, MZ, NO, NZ, PL, PT, RO, RU, SD, SE, SG, SI, SK, SL, TJ, TM, TR, TT, TZ, UA, UG, UZ, VN, YU, ZA, ZW.

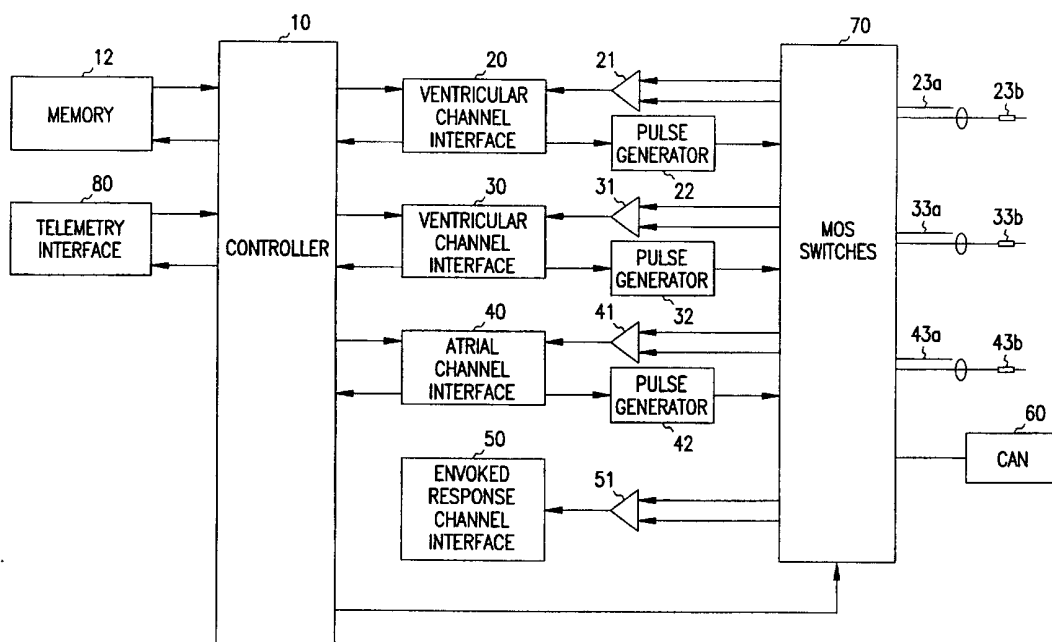
(84) Designated States (*regional*): ARIPO patent (GH, GM, KE, LS, MW, MZ, SD, SL, SZ, TZ, UG, ZW), Eurasian patent (AM, AZ, BY, KG, KZ, MD, RU, TJ, TM), European patent (AT, BE, CH, CY, DE, DK, ES, FI, FR, GB, GR, IE, IT, LU, MC, NL, PT, SE, TR), OAPI patent (BF, BJ, CF, CG, CI, CM, GA, GN, GW, ML, MR, NE, SN, TD, TG).

Published:
— with international search report

(88) Date of publication of the international search report:
31 January 2002

For two-letter codes and other abbreviations, refer to the "Guidance Notes on Codes and Abbreviations" appearing at the beginning of each regular issue of the PCT Gazette.

(54) Title: SYSTEM AND METHOD FOR VERIFYING CAPTURE IN A MULTI-SITE PACEMAKER



(57) Abstract: An apparatus and method for verifying capture by a selected pacing electrode in a multi-site pacemaker. A switching circuit switches the input of an evoked response sensing channel to an unselected electrode. A pacing pulse is then output by the selected electrode, and the presence or absence of capture is determined from the output of the evoked response sensing channel. In one embodiment, a backup pacing pulse is output by an unselected electrode if a loss of capture is detected.

WO 01/74441 A3

INTERNATIONAL SEARCH REPORT

International Application No

PCT/US 01/09877

A. CLASSIFICATION OF SUBJECT MATTER
 IPC 7 A61N1/368 A61N1/37

According to International Patent Classification (IPC) or to both national classification and IPC

B. FIELDS SEARCHED

Minimum documentation searched (classification system followed by classification symbols)
 IPC 7 A61N

Documentation searched other than minimum documentation to the extent that such documents are included in the fields searched

Electronic data base consulted during the international search (name of data base and, where practical, search terms used)

EPO-Internal, WPI Data

C. DOCUMENTS CONSIDERED TO BE RELEVANT

Category °	Citation of document, with indication, where appropriate, of the relevant passages	Relevant to claim No.
X A	WO 99 29368 A (CARDIAC PACEMAKERS) 17 June 1999 (1999-06-17) the whole document	1-4, 6-9 5, 10
X A	US 5 683 431 A (WANG LI) 4 November 1997 (1997-11-04) column 7, line 27-32	1, 3, 4, 8-10 2, 5-7

Further documents are listed in the continuation of box C.

Patent family members are listed in annex.

° Special categories of cited documents:

- *A* document defining the general state of the art which is not considered to be of particular relevance
- *E* earlier document but published on or after the international filing date
- *L* document which may throw doubts on priority claim(s) or which is cited to establish the publication date of another citation or other special reason (as specified)
- *O* document referring to an oral disclosure, use, exhibition or other means
- *P* document published prior to the international filing date but later than the priority date claimed

- *T* later document published after the international filing date or priority date and not in conflict with the application but cited to understand the principle or theory underlying the invention
- *X* document of particular relevance: the claimed invention cannot be considered novel or cannot be considered to involve an inventive step when the document is taken alone
- *Y* document of particular relevance: the claimed invention cannot be considered to involve an inventive step when the document is combined with one or more other such documents, such combination being obvious to a person skilled in the art.
- *&* document member of the same patent family

Date of the actual completion of the international search

8 October 2001

Date of mailing of the international search report

12/10/2001

Name and mailing address of the ISA

European Patent Office, P.B. 5818 Patentlaan 2
 NL - 2280 HV Rijswijk
 Tel. (+31-70) 340-2040, Tx. 31 651 epo nl,
 Fax: (+31-70) 340-3016

Authorized officer

Grossmann, C.

INTERNATIONAL SEARCH REPORT

Information on patent family members

International Application No

PCT/US 01/09877

Patent document cited in search report		Publication date	Patent family member(s)	Publication date
WO 9929368	A	17-06-1999	US 6128535 A	03-10-2000
			EP 1035892 A1	20-09-2000
			WO 9929368 A1	17-06-1999

US 5683431	A	04-11-1997	NONE	
