



US00D765608S

(12) **United States Design Patent**  
**Park et al.**

(10) **Patent No.:** **US D765,608 S**

(45) **Date of Patent:** **\*\* Sep. 6, 2016**

(54) **SMART KEY FOR AUTOMOBILES**

(71) Applicant: **LG ELECTRONICS INC.**, Seoul (KR)

(72) Inventors: **Soonhyun Park**, Seoul (KR);  
**Cheolwoong Shin**, Seoul (KR);  
**Hongsik Kim**, Seoul (KR); **Jinki Min**,  
Seoul (KR); **Seunghwan Song**, Seoul  
(KR); **Byunghyun Yi**, Seoul (KR);  
**Jiyoun Cha**, Seoul (KR)

(73) Assignee: **LG Electronics Inc.**, Seoul (KR)

(\*\*) Term: **15 Years**

(21) Appl. No.: **29/534,898**

(22) Filed: **Jul. 31, 2015**

(30) **Foreign Application Priority Data**

Feb. 3, 2015 (KR) ..... 30-2015-0005937

(51) **LOC (10) Cl.** ..... **14-03**

(52) **U.S. Cl.**

USPC ..... **D13/168; D8/347**

(58) **Field of Classification Search**

USPC ..... D13/168; D10/2, 31, 104.1, 106.1, 122,  
D10/126, 128; D3/207, 208, 215; D8/347  
CPC . B60R 2225/00; B60R 25/00; B60R 25/104;  
H01H 9/02; H01H 9/0214; H01H 9/0235;  
G07C 9/009944; G05B 1/01; E05B 19/0082;  
E05B 19/04; Y10T 70/8676  
See application file for complete search history.

(56) **References Cited**

**U.S. PATENT DOCUMENTS**

843,050 A \* 2/1907 Wallerstedt ..... A45F 5/02  
150/150  
5,220,319 A \* 6/1993 Kendel ..... A44B 15/005  
206/37.1  
5,501,089 A \* 3/1996 Song ..... A44B 15/00  
40/634

5,614,885 A \* 3/1997 Van Lente ..... B60R 1/04  
340/12.28  
D412,514 S \* 8/1999 Hench ..... D3/208  
D415,441 S \* 10/1999 Pinchuk ..... D10/104.1  
D454,338 S \* 3/2002 Lin ..... D13/168  
6,351,903 B1 \* 3/2002 Tuomi ..... A44B 15/005  
206/38.1  
D459,314 S \* 6/2002 Flick ..... D10/104.1  
D474,980 S \* 5/2003 Finkay ..... D10/31  
D475,353 S \* 6/2003 Flick ..... D13/168  
D496,912 S \* 10/2004 To ..... D13/168  
D521,231 S \* 5/2006 Ng ..... D3/208  
7,441,651 B1 \* 10/2008 Sullivan ..... A44B 15/005  
206/37.1  
D583,774 S \* 12/2008 To ..... D13/168  
7,463,134 B1 \* 12/2008 Stilley ..... A45C 11/18  
340/5.61  
D604,039 S \* 11/2009 Fleming ..... D3/207  
D605,605 S \* 12/2009 To ..... D13/168  
D653,967 S \* 2/2012 Blake ..... D10/31  
2008/0129448 A1 \* 6/2008 Reichling ..... G08C 17/02  
340/5.72

\* cited by examiner

*Primary Examiner* — Selina Sikder

(74) *Attorney, Agent, or Firm* — Birch, Stewart, Kolasch & Birch, LLP

(57) **CLAIM**

The ornamental design for a smart key for automobiles, as shown and described.

**DESCRIPTION**

FIG. 1 is a front perspective view of a smart key for automobiles showing our new design;  
FIG. 2 is a from view thereof;  
FIG. 3 is a rear view thereof;  
FIG. 4 is a left side view thereof where the right side view is a mirror image;  
FIG. 5 is a top plan view thereof;  
FIG. 6 is a bottom plan view thereof; and,  
FIG. 7 is a rear perspective view thereof.  
The broken lines depict portions of the smart key for automobiles that form no part of the claimed design.

**1 Claim, 6 Drawing Sheets**

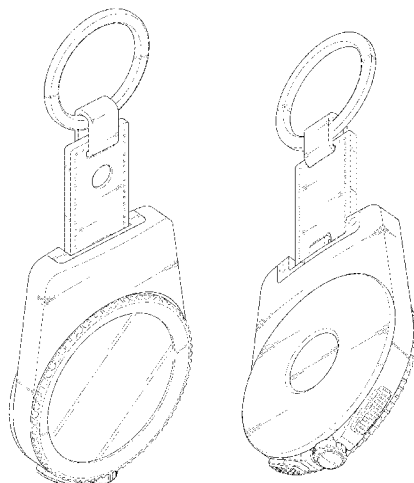


FIG. 1

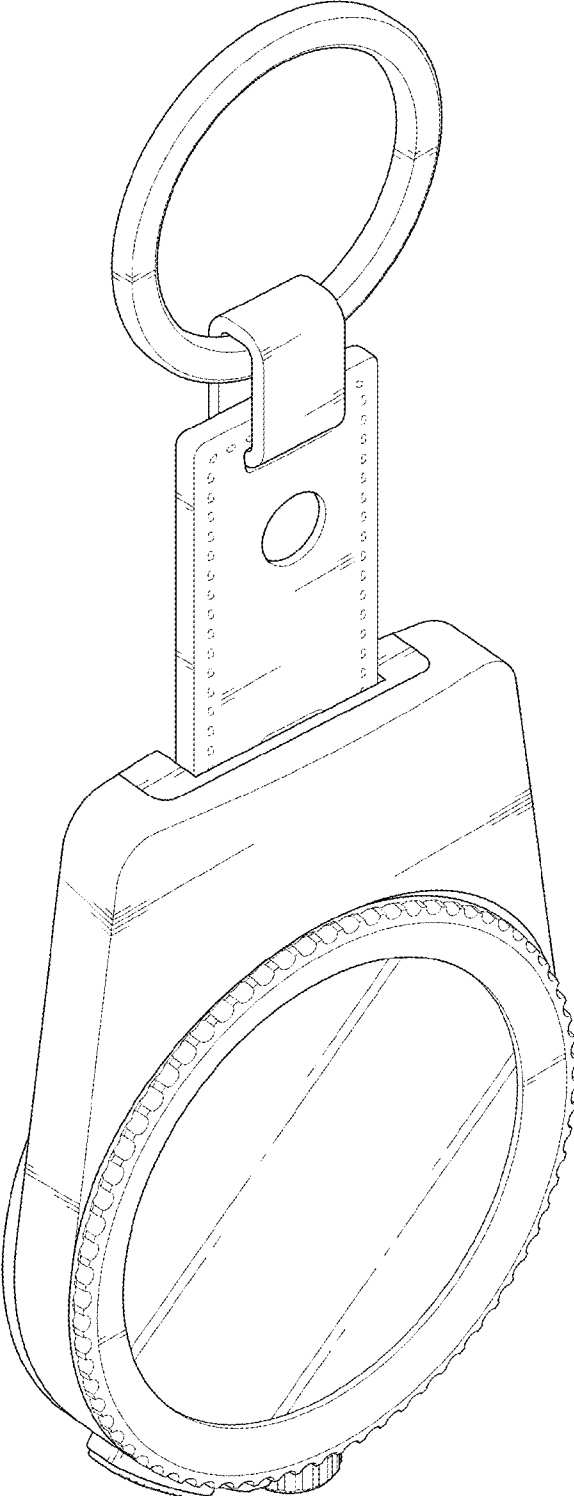


FIG. 2

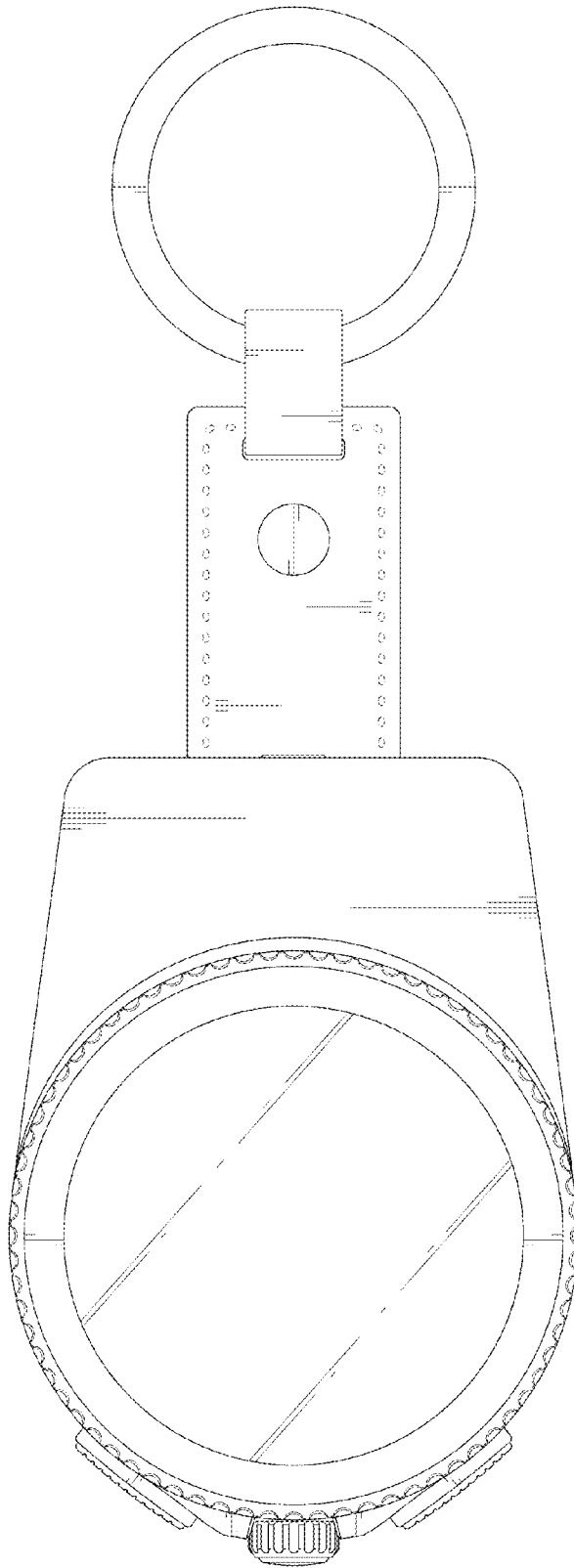


FIG. 3

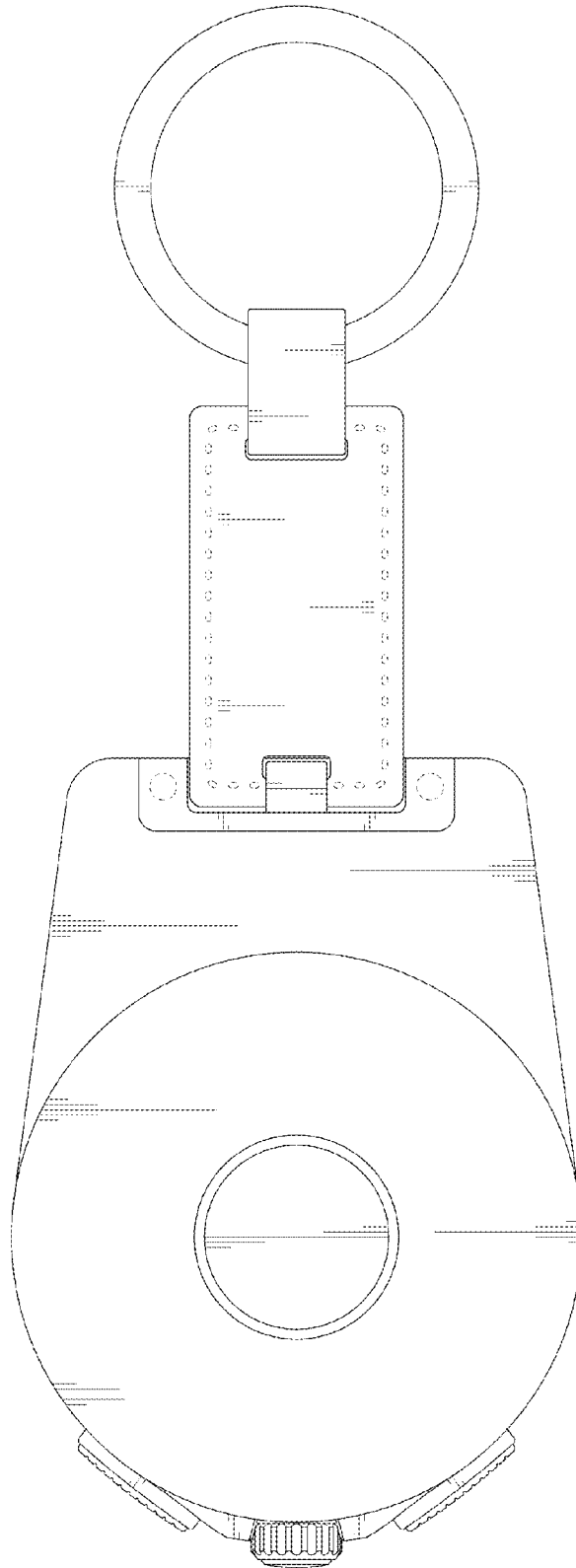


FIG. 4

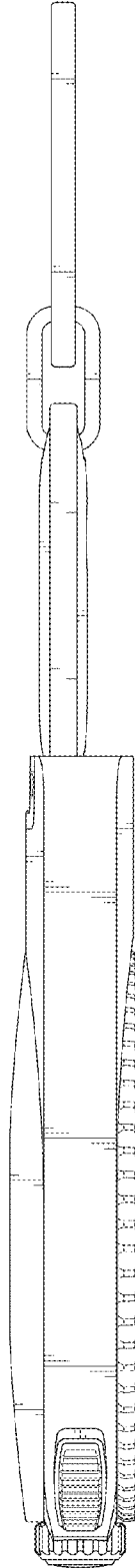


FIG. 5

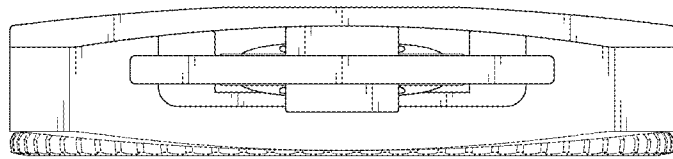


FIG. 6

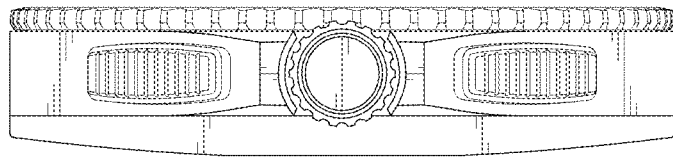


FIG. 7

