

(19)
(12)

(KR)
(Y1)

(51) 。 Int. Cl.⁶
H04N 3/24
H04N 5/445

(45)
(11)
(24)

2003 09 19
20-0317543
2003 06 12

(21) 20-1998-0009064
(22) 1998 05 29

(65) 1999-0041983
(43) 1999 12 27

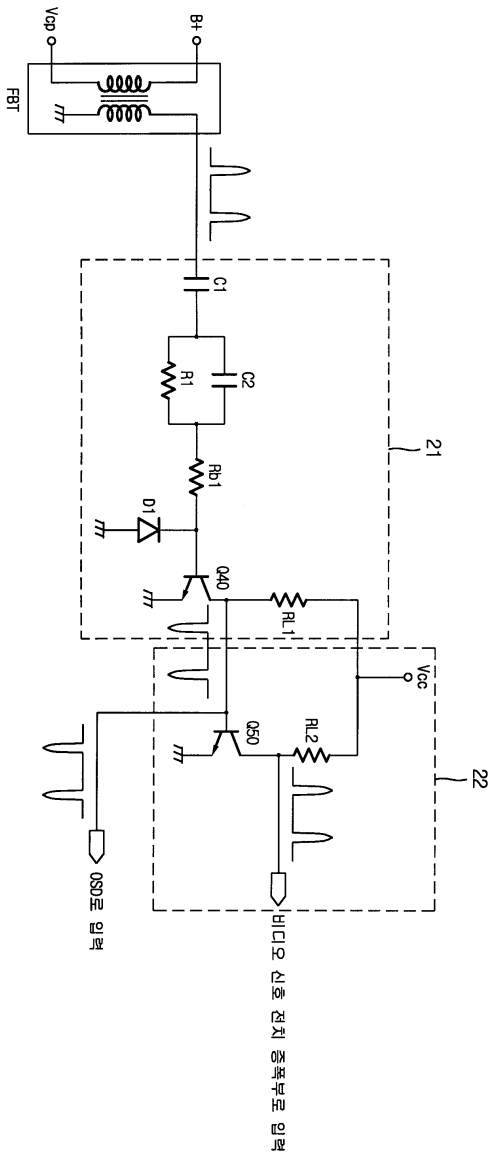
(73) () 136-1

(72) 136-1

(74)
:

(54)

(OSD)가 (blanking signal) (PRE - AMPLIFIER)
, (OSD)
가 .



1 가 ,

2 ,

3 ,

4 .

< >

10: 20:

21: 1 22: 2

30: 40:

50: 60:

70:CRT

re_amp' (TV) (On Screen Display ; 'OSD' (pre-amplifier ; 'p
 가 가 , 1 (field)가
 (blanking signal) (黑)
 pre_amp OSD
 1 가
 (10) (20) (10)
 (30) (40) OSD(50) (40) (30)
 (20) (SNR) (40) OSD(50) (20)
 (60) CRT(70) (60) (40) OSD(60)
 (10) (Fly Back Transformer ; FBT)
 (40) , OSD(50)
 (20) 가 2
) ; 1 (FBT) 1 (Q10) (40)
 2 (Q1) (Q20) ; OSD(50) (FBT) 3 (Q30)
 (base) (collector) 3 , 1
 2 (Q1)(Q2) V

$$V = V + R I$$

$$, 1 \quad (Q1) \quad V$$

$$V = V - R I$$

$$1 \quad (Q1) \quad I$$

$$I =$$

$$1 \quad (Q1) \quad I$$

$$I = h I$$

$$I = V$$

$$1 \quad (Q1) \quad V$$

$$V = V - R V$$

h

$$V \quad 1 \quad (Q1) \quad V$$

$$1 \quad 2 \quad (Q1) \quad (Q2) \quad V \quad 2 \quad (Q2) \quad (Q2) \quad V \quad V \quad \text{가} \quad \text{가}$$

$$\text{가} \quad 1 \quad (Q10) \quad 2 \quad (Q10) \quad (FBT)$$

$$\text{가} \quad 1 \quad (Q10)$$

$$1 \quad (Q10) \quad 2 \quad (Q20) \quad 2 \quad (Q20) \quad (Q20) \quad (40)$$

$$3 \quad (Q30) \quad (FBT)$$

$$3 \quad \text{OSD}(50) \quad 3 \quad (Q30)$$

$$2 \quad (CASCADE)$$

3

OSD

가

(OSD)

1

; 1
2

1 ,

2 (22) , 1

4

D(50) 1 (21) ; (FBT) 1 (21) OS
(40) 2 (22)

1 (21) , (FBT) (Q40)

2 (22) , 1 (Q40) (Q50)

(C1,C2), (R, R, R), (D1) 1 (Q40) 1
(40) (R), 2 (Q50) 2 OSD(50)

(FBT) 가 1 (Q10) , 1 (Q OSD(50)가
1 (Q40)

Q40) 1 (Q40) 2 (Q50) 1 (
(40)

OSD , 2

OSD , 2
가

가

(57)

1.

(OSD)

1

;

1

2

2.

1

1

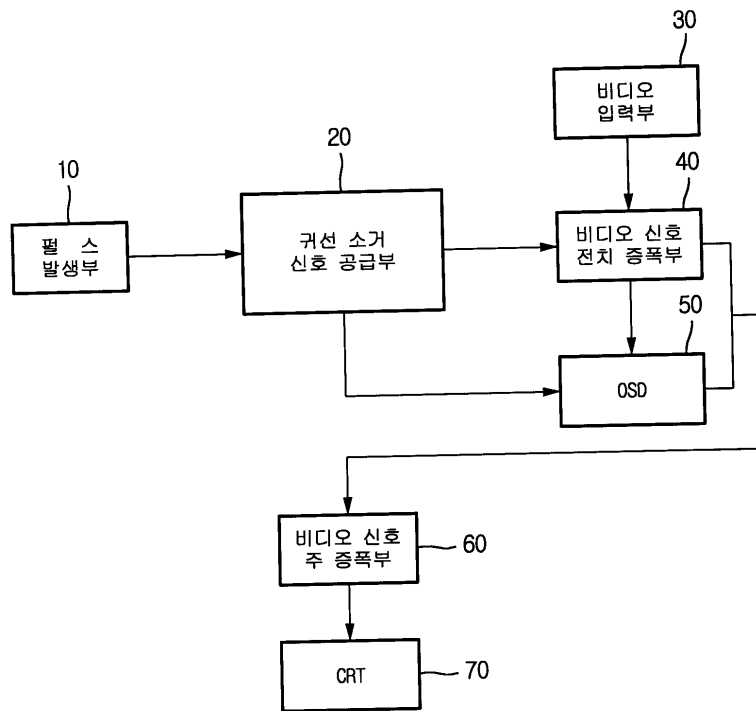
3.

1

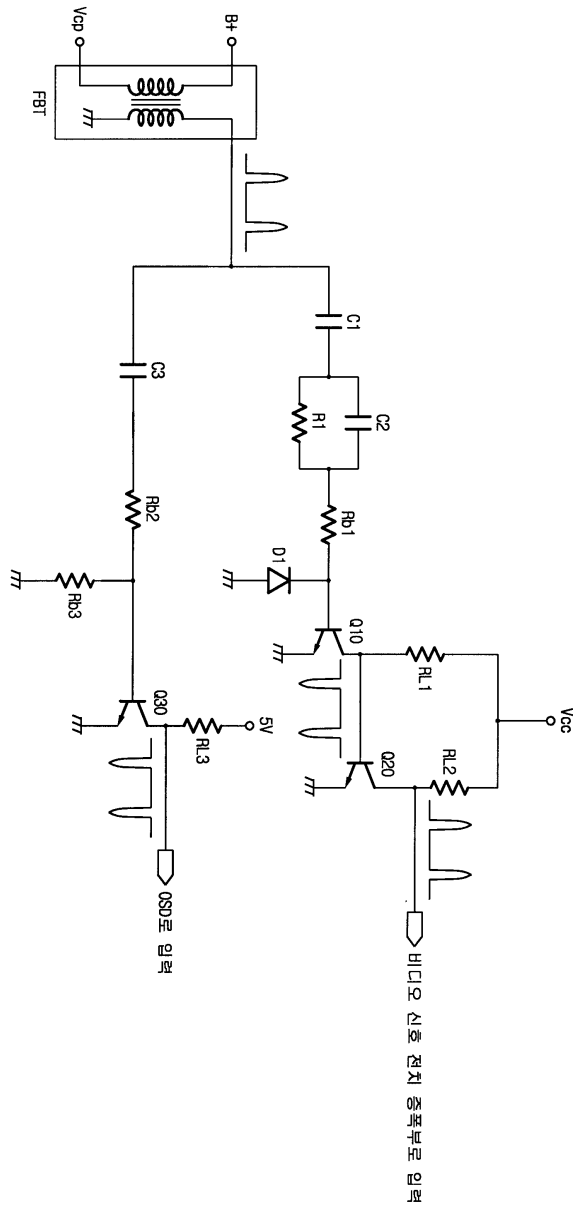
2

1

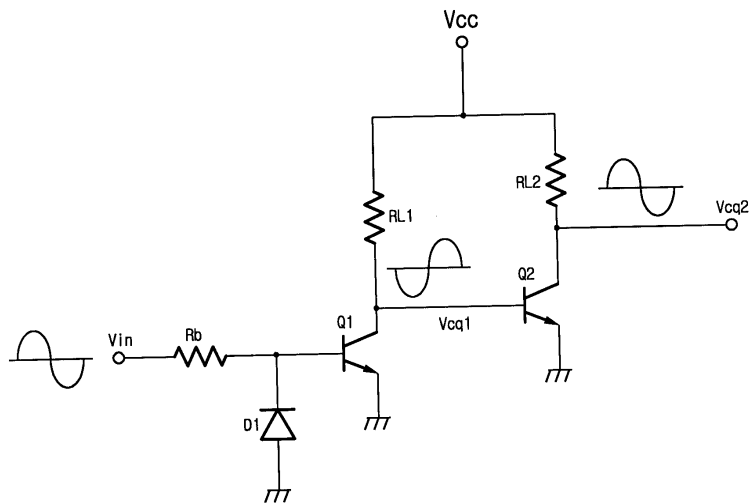
1



2



3



4

