



- (51) International Patent Classification:
B60G 7/00 (2006.01) *B60G 7/02* (2006.01)
- (21) International Application Number:
PCT/US2012/021643
- (22) International Filing Date:
18 January 2012 (18.01.2012)
- (25) Filing Language: English
- (26) Publication Language: English
- (30) Priority Data:
13/021,797 7 February 2011 (07.02.2011) US
- (71) Applicant (for all designated States except US): **THE PULLMAN COMPANY** [US/US]; 33 Lockwood Road, Milan, Ohio 44846 (US).
- (72) Inventors; and
- (75) Inventors/Applicants (for US only): **RAGER, Christopher G.** [US/US]; c/o The Pullman Company, 33 Lockwood Road, Milan, Ohio 44846 (US). **McGILL, Kenneth A.** [US/US]; c/o The Pullman Company, 33 Lockwood Road, Milan, Ohio 44846 (US). **CERRI, Joseph F. III** [US/US]; c/o The Pullman Company, 33 Lockwood Road, Milan, Ohio 44846 (US). **BUTLER, Russell E.** [US/US]; c/o The Pullman Company, 33 Lockwood Road, Milan, Ohio 44846 (US).

(74) Agents: **MILLER, H. Keith** et al.; Harness, Dickey & Pierce, P.L.C., P.O. Box 828, Bloomfield Hills, Michigan 48303 (US).

(81) Designated States (unless otherwise indicated, for every kind of national protection available): AE, AG, AL, AM, AO, AT, AU, AZ, BA, BB, BG, BH, BR, BW, BY, BZ, CA, CH, CL, CN, CO, CR, CU, CZ, DE, DK, DM, DO, DZ, EC, EE, EG, ES, FI, GB, GD, GE, GH, GM, GT, HN, HR, HU, ID, IL, IN, IS, JP, KE, KG, KM, KN, KP, KR, KZ, LA, LC, LK, LR, LS, LT, LU, LY, MA, MD, ME, MG, MK, MN, MW, MX, MY, MZ, NA, NG, NI, NO, NZ, OM, PE, PG, PH, PL, PT, QA, RO, RS, RU, RW, SC, SD, SE, SG, SK, SL, SM, ST, SV, SY, TH, TJ, TM, TN, TR, TT, TZ, UA, UG, US, UZ, VC, VN, ZA, ZM, ZW.

(84) Designated States (unless otherwise indicated, for every kind of regional protection available): ARIPO (BW, GH, GM, KE, LR, LS, MW, MZ, NA, RW, SD, SL, SZ, TZ, UG, ZM, ZW), Eurasian (AM, AZ, BY, KG, KZ, MD, RU, TJ, TM), European (AL, AT, BE, BG, CH, CY, CZ, DE, DK, EE, ES, FI, FR, GB, GR, HR, HU, IE, IS, IT, LT, LU, LV, MC, MK, MT, NL, NO, PL, PT, RO, RS, SE, SI, SK, SM, TR), OAPI (BF, BJ, CF, CG, CI, CM, GA, GN, GQ, GW, ML, MR, NE, SN, TD, TG).

Declarations under Rule 4.17:

- as to applicant's entitlement to apply for and be granted a patent (Rule 4.17(ii))
- as to the applicant's entitlement to claim the priority of the earlier application (Rule 4.17(iii))

[Continued on next page]

(54) Title: APEX INTERNAL MOUNTING ARRANGEMENT FOR A V-CONFIGURATION TORQUE ROD

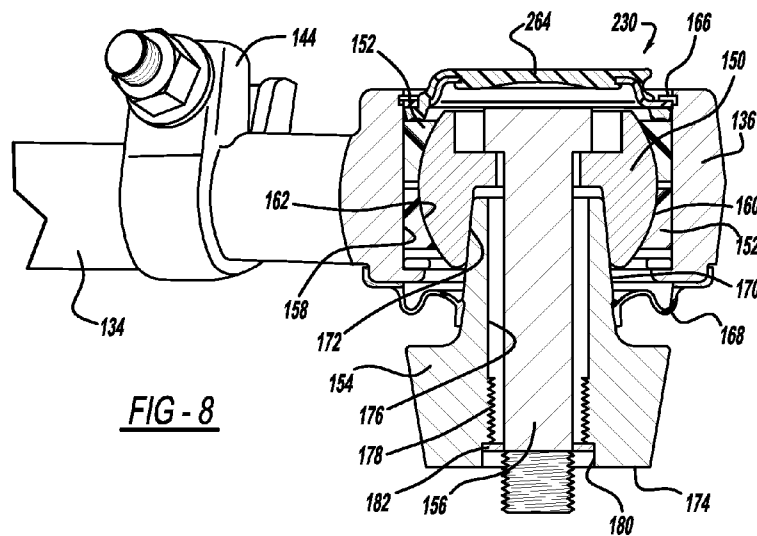
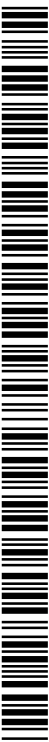


FIG - 8

(57) Abstract: A V-shaped torque rod includes an apex joint assembly that is attached to a component of a vehicle using only a single fastener. The apex joint assembly includes a housing, an inner metal, an elastomeric member disposed between the housing and the inner metal and a post that engages the inner metal. The single fastener extends through the inner metal and through the post to secure the apex joint assembly to the vehicle. The post can be a tapered post or the post can be a non-tapered post.





Published:

(88) Date of publication of the international search report:

- *with international search report (Art. 21(3))*
- *before the expiration of the time limit for amending the claims and to be republished in the event of receipt of amendments (Rule 48.2(h))*

8 November 2012

INTERNATIONAL SEARCH REPORT

International application No.
PCT/US2012/021643**A. CLASSIFICATION OF SUBJECT MATTER****B60G 7/00(2006.01)i, B60G 7/02(2006.01)i**

According to International Patent Classification (IPC) or to both national classification and IPC

B. FIELDS SEARCHED

Minimum documentation searched (classification system followed by classification symbols)

B60G 7/00; B60G 17/019; F16D 1/12; B60G 3/20; F16C 11/06

Documentation searched other than minimum documentation to the extent that such documents are included in the fields searched

Korean utility models and applications for utility models

Japanese utility models and applications for utility models

Electronic data base consulted during the international search (name of data base and, where practicable, search terms used)

eKOMPASS(KIPO internal) & Keywords: V, rod, torque, bush, joint, vehicle and suspension

C. DOCUMENTS CONSIDERED TO BE RELEVANT

Category*	Citation of document, with indication, where appropriate, of the relevant passages	Relevant to claim No.
X Y A	WO 2006-110049 A2 (KONGSBERG AUTOMOTIVE AS et al.) 19 October 2006 See pages 6 - 10 and figures 1 - 15.	1,3-7,9-11 8 2,12-18
Y A	KR 10-2003-0014434 A (HYUNDAI MOTOR COMPANY) 19 February 2003 See claim 1 and figures 2 - 3.	8 1-7,9-18
A	JP 2001-055029 A (THE PULLMAN COMPANY) 27 February 2001 See page 4 and figure 4.	1-18
A	US 2005-0271464 A1 (SVEN BJORKGARD) 08 December 2005 See pages 1 - 2 and figure 1.	1-18

 Further documents are listed in the continuation of Box C. See patent family annex.

* Special categories of cited documents:

"A" document defining the general state of the art which is not considered to be of particular relevance

"E" earlier application or patent but published on or after the international filing date

"L" document which may throw doubts on priority claim(s) or which is cited to establish the publication date of citation or other special reason (as specified)

"O" document referring to an oral disclosure, use, exhibition or other means

"P" document published prior to the international filing date but later than the priority date claimed

"T" later document published after the international filing date or priority date and not in conflict with the application but cited to understand the principle or theory underlying the invention

"X" document of particular relevance; the claimed invention cannot be considered novel or cannot be considered to involve an inventive step when the document is taken alone

"Y" document of particular relevance; the claimed invention cannot be considered to involve an inventive step when the document is combined with one or more other such documents, such combination being obvious to a person skilled in the art

"&" document member of the same patent family

Date of the actual completion of the international search

29 AUGUST 2012 (29.08.2012)

Date of mailing of the international search report

30 AUGUST 2012 (30.08.2012)

Name and mailing address of the ISA/KR

Korean Intellectual Property Office
189 Cheongsu-ro, Seo-gu, Daejeon Metropolitan
City, 302-701, Republic of Korea

Facsimile No. 82-42-472-7140

Authorized officer

Lee Chang Won

Telephone No. 82-42-481-8728



INTERNATIONAL SEARCH REPORT

Information on patent family members

International application No.

PCT/US2012/021643

Patent document cited in search report	Publication date	Patent family member(s)	Publication date
WO 2006-110049 A2	19. 10. 2006	CN 100564910 C	02. 12. 2009
		CN 101189441 A0	28. 05. 2008
		JP 2008-537713 A	25. 09. 2008
		JP 2008-537713 T	25. 09. 2008
		SE0500830A	13. 10. 2006
		SE0500830L	13. 10. 2006
		SE528801C2	20. 02. 2007
		WO 2006-110049 A3	22. 03. 2007
		WO 2006-110049 A3	19. 10. 2006
		KR 10-2003-0014434 A	19. 02. 2003
JP 2001-055029 A	27. 02. 2001	DE 10031454 A1	18. 01. 2001
		GB 0015729 D0	16. 08. 2000
		GB 2351479 A	03. 01. 2001
		GB 2351479 B	18. 06. 2003
		US 6267526 B1	31. 07. 2001
US 2005-0271464 A1	08. 12. 2005	AT 410321 T	15. 10. 2008
		AU 2003-267871 A1	19. 04. 2004
		BR 0314805 A	02. 08. 2005
		CN 100486825 C	13. 05. 2009
		CN 1684847 A	19. 10. 2005
		CN 1684847 C0	19. 10. 2005
		DE 60324000 D1	20. 11. 2008
		EP 1545913 A1	29. 06. 2005
		EP 1545913 B1	08. 10. 2008
		JP 2006-500275 A	05. 01. 2006
		JP 2006-500275 T	05. 01. 2006
		KR 10-2005-0057561 A	16. 06. 2005
		KR20050057561A	16. 06. 2005
		N020024604A	26. 03. 2004
		N020024604D0	25. 09. 2002
		N0322341B1	18. 09. 2006
		US 7221265 B2	22. 05. 2007
		WO 2004-028839 A1	08. 04. 2004