



US00D819386S

(12) **United States Design Patent**
Gushwa et al.

(10) **Patent No.:** **US D819,386 S**
(45) **Date of Patent:** **** Jun. 5, 2018**

- (54) **OVEN**
- (71) Applicant: **WHIRLPOOL CORPORATION**,
Benton Harbor, MI (US)
- (72) Inventors: **David J. Gushwa**, Mishawaka, IN
(US); **Joel Graham Van Faasen**,
Holland, MI (US)
- (73) Assignee: **Whirlpool Corporation**, Benton
Harbor, MI (US)

3,186,670	A	6/1965	Perl	
3,239,218	A	3/1966	Reeves	
3,692,266	A	9/1972	Jacobs	
3,750,989	A	8/1973	Bergeson	
D248,607	S *	7/1978	Yamamura	D7/351
4,317,017	A	2/1982	Bowen	
D268,079	S *	3/1983	Miyake	D7/351
4,449,026	A	5/1984	Satoh	
D275,546	S *	9/1984	Tanaka	D7/351
D276,122	S *	10/1984	Tanaka	D7/351
D277,355	S *	1/1985	Miyake	D7/351
D285,893	S *	9/1986	Mizuma	D7/351
D297,698	S *	9/1988	Nishikawa	D7/351

(Continued)

(**) Term: **15 Years**

(21) Appl. No.: **29/554,434**

(22) Filed: **Feb. 11, 2016**

(51) **LOC (11) Cl.** **07-02**

(52) **U.S. Cl.**
USPC **D7/328**

(58) **Field of Classification Search**
 USPC D7/323, 337, 339-351, 402, 405, 393;
 D15/89, 300-306; D8/305, 315-316
 CPC F24C 1/00; F24C 3/00; F24C 7/00; F24C
 7/002; F24C 7/046; F24C 7/067; F24C
 15/00; F24C 15/02; A21B 2/00; A47J
 36/26; A47J 37/00; A47J 37/041; A47J
 37/04; A47J 37/06; A47J 37/08

See application file for complete search history.

(56) **References Cited**

U.S. PATENT DOCUMENTS

133,766	A	12/1872	Easterly
464,921	A	12/1891	Carr
1,006,974	A	10/1911	Moore et al.
1,655,611	A	1/1928	Jensen
2,023,875	A	12/1935	Drumm
2,121,680	A	6/1938	Arvin
2,544,822	A	3/1951	Brown
2,877,875	A	3/1959	Bolt
3,071,887	A	1/1963	Von Arb

FOREIGN PATENT DOCUMENTS

CN	202521667	U	11/2012
DE	1796906	U	10/1959

(Continued)

Primary Examiner — Caron D Veynar
Assistant Examiner — Mehri F Bajoul
 (74) *Attorney, Agent, or Firm* — Price Heneveld LLP

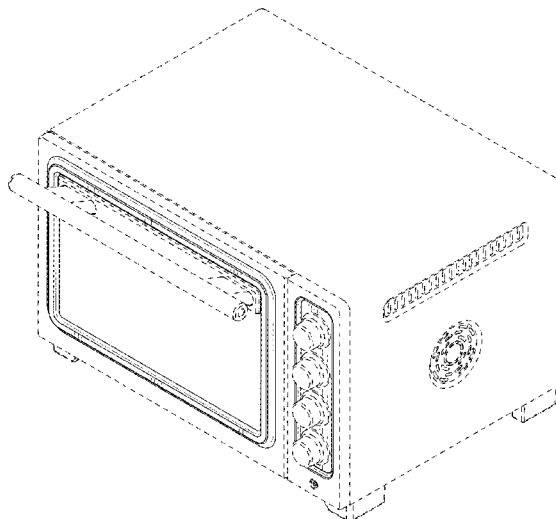
(57) **CLAIM**

We claim the ornamental design for an oven, as shown and described.

DESCRIPTION

FIG. 1 is a front perspective view showing the new design for an oven;
 FIG. 2 is a rear elevational view thereof;
 FIG. 3 is a front elevational view thereof;
 FIG. 4 is a rear elevational view thereof;
 FIG. 5 is a right side elevational view thereof;
 FIG. 6 is a left side elevational view thereof.
 FIG. 7 is a top plan view thereof; and,
 FIG. 8 is a bottom plan view thereof.
 The broken lines showing portions of the oven form no part of the claimed design.

1 Claim, 8 Drawing Sheets



(56)

References Cited

U.S. PATENT DOCUMENTS

D297,800 S * 9/1988 Feil D7/351
 4,831,239 A 5/1989 Ueda
 D303,063 S * 8/1989 Satake D7/351
 4,861,956 A 8/1989 Courneya
 4,867,504 A 9/1989 Johnson, Jr.
 4,868,357 A 9/1989 Serikawa et al.
 D330,144 S * 10/1992 Takebata D7/351
 5,224,227 A 7/1993 McGinley
 5,293,019 A 3/1994 Lee
 5,360,965 A 11/1994 Ishii et al.
 5,361,681 A 11/1994 Headstrom et al.
 5,369,253 A 11/1994 Kuwata et al.
 D353,511 S * 12/1994 Saimen D7/351
 5,387,473 A 2/1995 Yoshimi et al.
 5,417,941 A 5/1995 McNulty
 5,512,736 A 4/1996 Kang et al.
 5,493,947 A 5/1996 Philbeck
 5,521,361 A 5/1996 Strait, Jr.
 D378,723 S * 4/1997 Weiss D7/351
 5,620,801 A 4/1997 Binns et al.
 D385,155 S * 10/1997 Weiss D7/405
 5,690,852 A 11/1997 Saito et al.
 5,749,550 A 5/1998 Jackson
 D411,074 S * 6/1999 Sakai D7/351
 6,008,478 A 12/1999 Crone et al.
 6,008,482 A 12/1999 Takahashi et al.
 6,097,003 A 8/2000 Markum et al.
 6,172,348 B1 1/2001 Yoshino et al.
 6,229,129 B1 5/2001 Yoshida
 6,559,882 B1 5/2003 Kerchner
 6,575,414 B2 6/2003 Cuzzocrea
 D481,582 S * 11/2003 Seum D7/350.1
 6,730,895 B2 5/2004 Kim
 D495,556 S * 9/2004 Milrud D7/405
 6,825,452 B2 11/2004 Oh
 6,861,631 B2 3/2005 Hahm et al.
 6,878,910 B2 4/2005 Kim et al.
 D522,801 S * 6/2006 Lee D7/351
 D527,572 S * 9/2006 Lee D7/350.1
 D527,948 S * 9/2006 Bengtson D7/349
 D530,973 S * 10/2006 Lee D7/351
 D531,447 S * 11/2006 Lee D7/350.4
 D532,645 S * 11/2006 Lee D7/351
 D535,847 S * 1/2007 Sadtler D7/340
 D536,576 S * 2/2007 Logan D7/405
 D538,582 S * 3/2007 Kim D7/340
 D540,105 S * 4/2007 Lee D7/351
 D540,613 S * 4/2007 Jeon D7/350.1
 D541,577 S * 5/2007 Kim D7/340
 D546,619 S * 7/2007 McHutchison D7/352
 D550,024 S * 9/2007 Jeon D7/350.1
 D550,069 S 9/2007 Milligan
 7,279,218 B2 10/2007 Watase et al.
 7,326,888 B2 2/2008 Chun et al.
 D568,100 S * 5/2008 Jeon D7/402
 D572,109 S * 7/2008 Busalt D8/316
 D572,110 S * 7/2008 Busalt D8/316
 D572,528 S * 7/2008 Crookshanks D7/405
 D572,529 S * 7/2008 Crookshanks D7/405
 D580,698 S * 11/2008 Kim D7/348
 D582,198 S * 12/2008 Cruver, IV D7/350.1
 D586,619 S * 2/2009 Pino D7/405
 D587,067 S * 2/2009 Kim D7/402
 7,501,608 B2 3/2009 Hallgren
 D605,456 S * 12/2009 Bengtson D7/340
 D612,686 S * 3/2010 Busalt D7/406
 D616,695 S * 6/2010 Grey D7/340
 D617,133 S * 6/2010 Grey D7/340
 D625,557 S * 10/2010 Pino D7/405
 D626,370 S * 11/2010 Baek D7/351
 D633,336 S * 3/2011 Sadtler D7/405
 D645,293 S * 9/2011 Busalt D7/349
 D651,460 S * 1/2012 Sadtler D7/405
 D654,311 S * 2/2012 Benold D7/402
 D654,314 S * 2/2012 Benold D7/405

D658,439 S * 5/2012 Curtis D7/405
 D662,759 S * 7/2012 Blacken D7/328
 D668,105 S * 10/2012 Funnell, II D7/405
 D669,728 S * 10/2012 Funnell, II D7/340
 D669,729 S * 10/2012 Funnell, II D7/340
 D670,969 S * 11/2012 Bengtson D7/406
 D673,000 S * 12/2012 De' Longhi D7/350.1
 D673,418 S * 1/2013 Lee D7/351
 D701,074 S * 3/2014 Funnell, II D7/340
 8,663,793 B2 3/2014 Jo et al.
 8,715,837 B2 5/2014 Tada et al.
 8,742,306 B2 6/2014 Atzmony et al.
 D709,726 S * 7/2014 Borjesson D7/349
 D710,150 S * 8/2014 Busalt D7/405
 D710,646 S * 8/2014 Borjesson D7/349
 D717,579 S * 11/2014 Gregory D7/350.4
 8,927,913 B2 1/2015 Hyde et al.
 D721,917 S * 2/2015 Funnell, II D7/405
 D721,919 S * 2/2015 Funnell, II D7/406
 9,022,018 B2 * 5/2015 Hensel F24C 15/12
 126/332
 D736,553 S * 8/2015 Funnell, II D7/339
 D736,554 S * 8/2015 Steiner D7/350.1
 D737,620 S * 9/2015 Miller D7/328
 D737,622 S * 9/2015 Miller D7/328
 D742,688 S * 11/2015 Funnell, II D7/405
 D745,362 S * 12/2015 Grasselli D8/315
 9,265,097 B2 2/2016 Torres et al.
 D750,413 S * 3/2016 Funnell, II D7/348
 D750,414 S * 3/2016 Funnell, II D7/348
 D755,008 S * 5/2016 Kim D7/406
 D758,827 S * 6/2016 Grasselli D8/315
 D762,086 S * 7/2016 Kim D7/405
 9,388,990 B2 * 7/2016 Kim F24C 15/02
 D763,616 S * 8/2016 Kim D7/339
 D763,617 S * 8/2016 Kim D7/339
 D764,230 S * 8/2016 Shoemaker D7/405
 D764,853 S * 8/2016 Kim D7/339
 D764,890 S * 8/2016 Shoemaker D15/89
 D766,645 S * 9/2016 Koszylko D7/352
 D769,669 S * 10/2016 Kim D7/351
 D770,839 S * 11/2016 Shoemaker D7/348
 D773,232 S * 12/2016 Shoemaker D7/339
 D773,880 S * 12/2016 McConnell D7/339
 D781,648 S * 3/2017 Shoemaker D7/406
 D789,739 S * 6/2017 Jeon D7/405
 D791,567 S * 7/2017 Incukur D8/311
 2005/0154118 A1 7/2005 Hayes et al.
 2006/0022180 A1 2/2006 Selness
 2008/0251660 A1 10/2008 Spyker
 2010/0006561 A1 * 1/2010 Hensel A47J 37/0807
 219/483
 2010/0021726 A1 1/2010 Jo et al.
 2010/0182136 A1 7/2010 Pryor
 2010/0187224 A1 7/2010 Hyde
 2010/0231506 A1 9/2010 Pryor
 2011/0023861 A1 * 2/2011 Hensel F24C 15/12
 126/273 R
 2011/0215091 A1 9/2011 Stranger
 2012/0070651 A1 3/2012 Morishita et al.
 2012/0168645 A1 7/2012 Atzmony
 2012/0192850 A1 * 8/2012 Hensel A47J 37/0807
 126/19 M
 2012/0298655 A1 11/2012 Kamii et al.
 2013/0056460 A1 3/2013 Ben-Shmuel et al.
 2013/0142923 A1 6/2013 Torres et al.
 2013/0146590 A1 6/2013 Einziger et al.
 2013/0186887 A1 7/2013 Hallgren et al.
 2014/0144331 A1 * 5/2014 Hensel A47J 37/0807
 99/391

FOREIGN PATENT DOCUMENTS

DE 40424 A1 6/1992
 EP 1076475 A2 2/2001
 EP 2051564 A1 8/2007
 EP 2144008 A1 1/2010
 EP 2205043 A1 7/2010

(56)

References Cited

FOREIGN PATENT DOCUMENTS

EP	2618634		7/2013
ES	2390022	A1	11/2012
GB	999061	A	7/1965
GB	1016077	A	1/1966
GB	1105140	A	3/1968
GB	2323276	A	9/1998
JP	6058555	A	3/1994
JP	H08-135978	A	5/1996
JP	2001355844		12/2001
JP	2006118786		5/2006
JP	2011220590	A	11/2011
KR	20100000372	A	1/2010
SU	1530168	A1	12/1989
WO	200223953	A1	3/2002
WO	2011058538	A1	5/2011

* cited by examiner

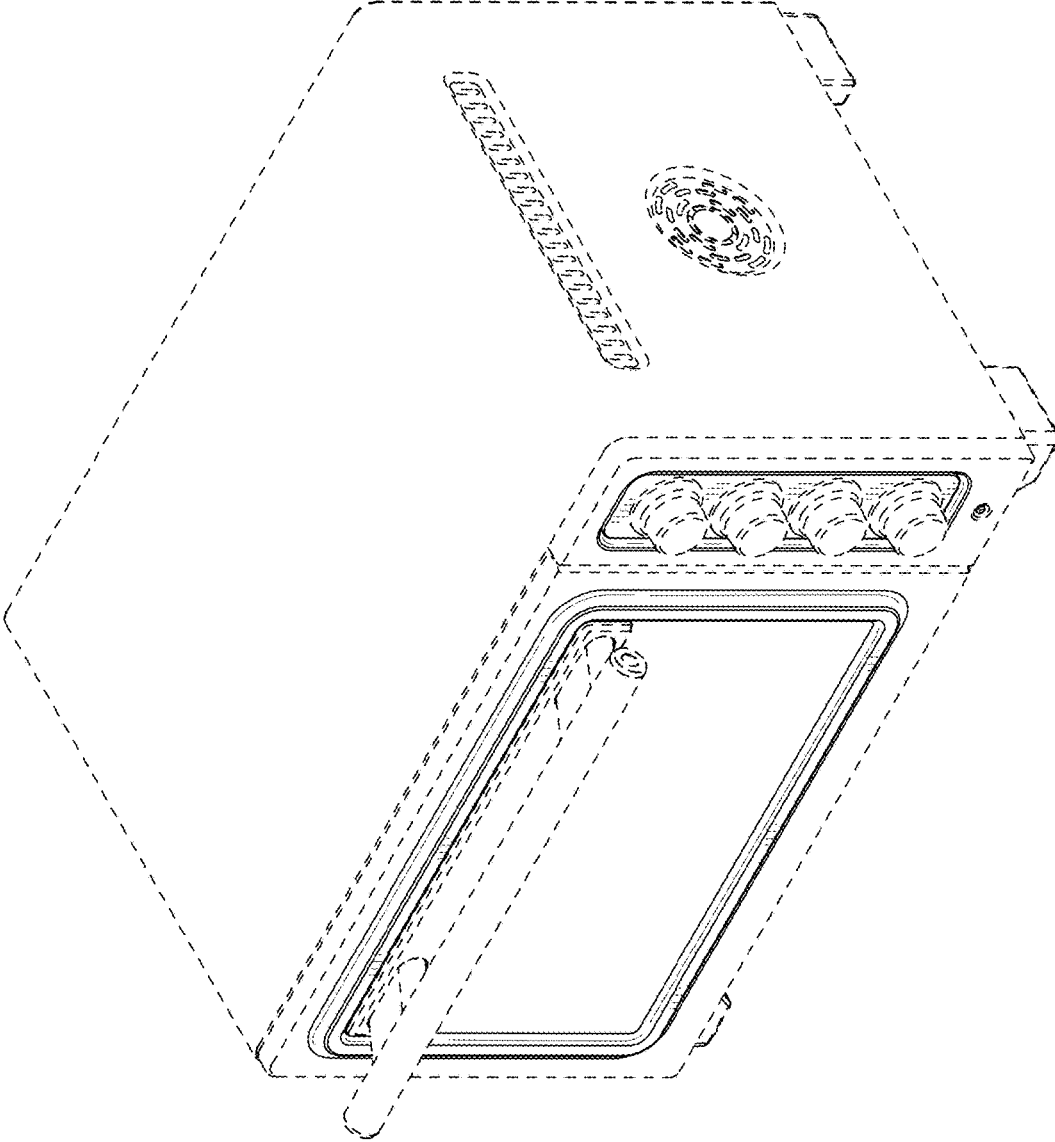


FIG. 1

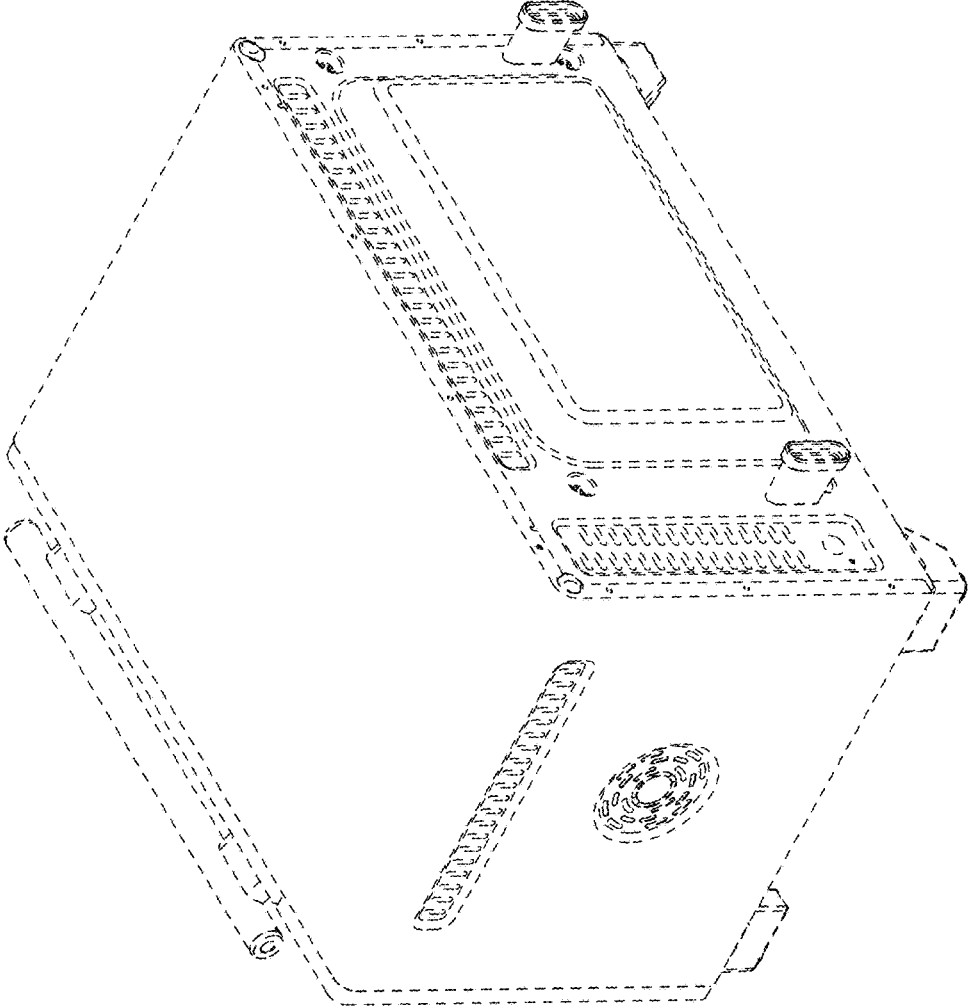


FIG. 2

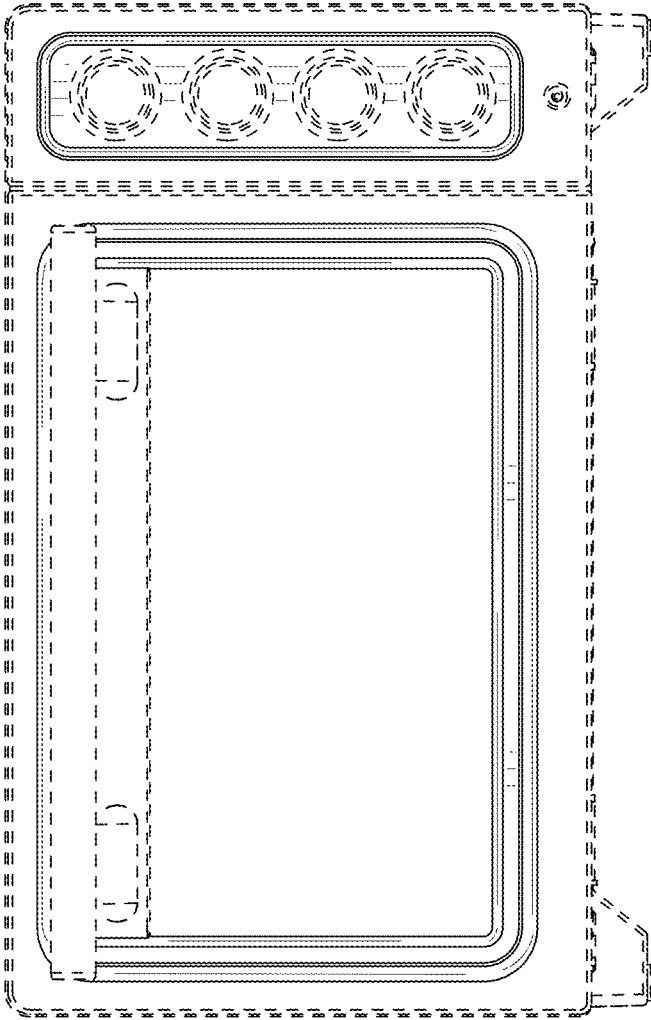


FIG. 3

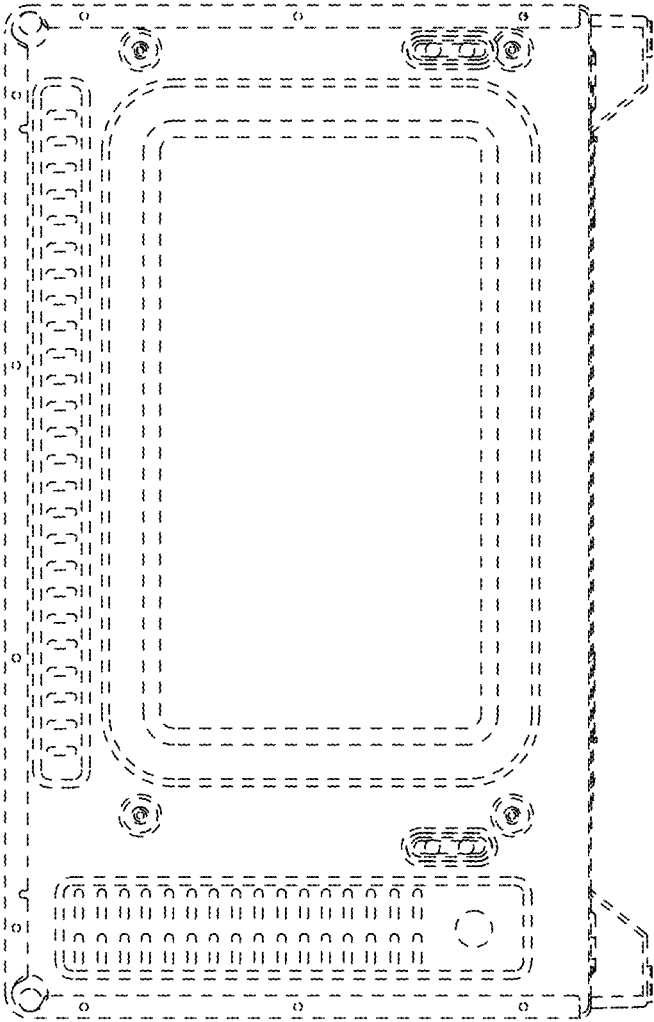


FIG. 4

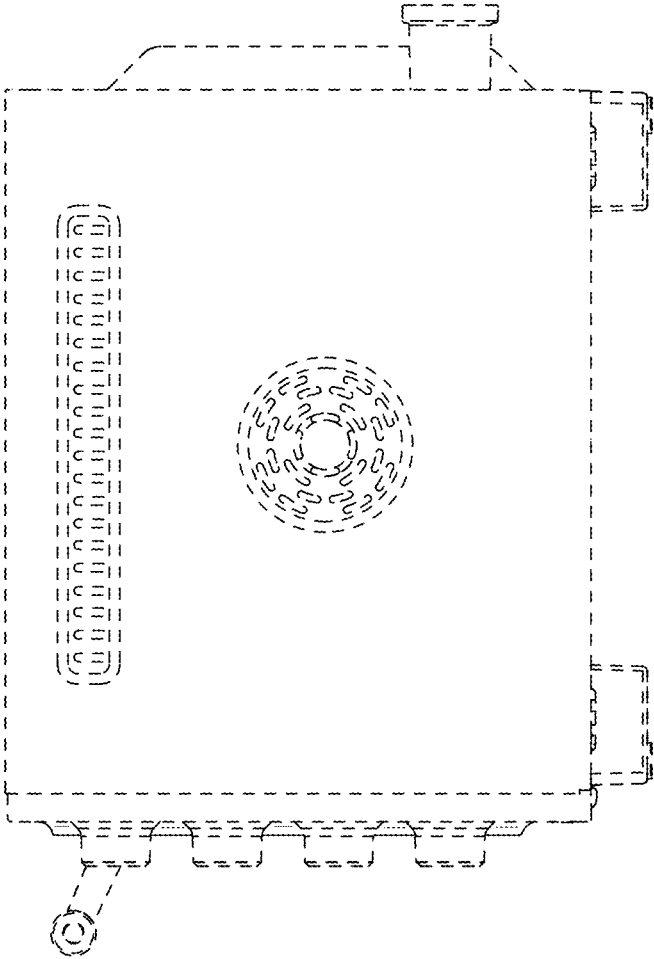


FIG. 5

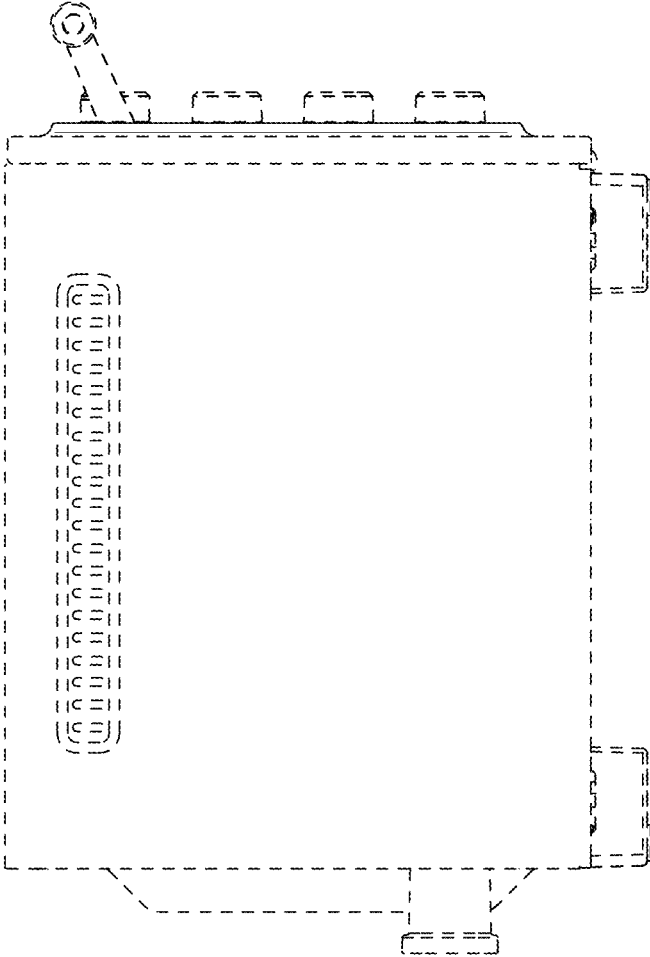


FIG. 6

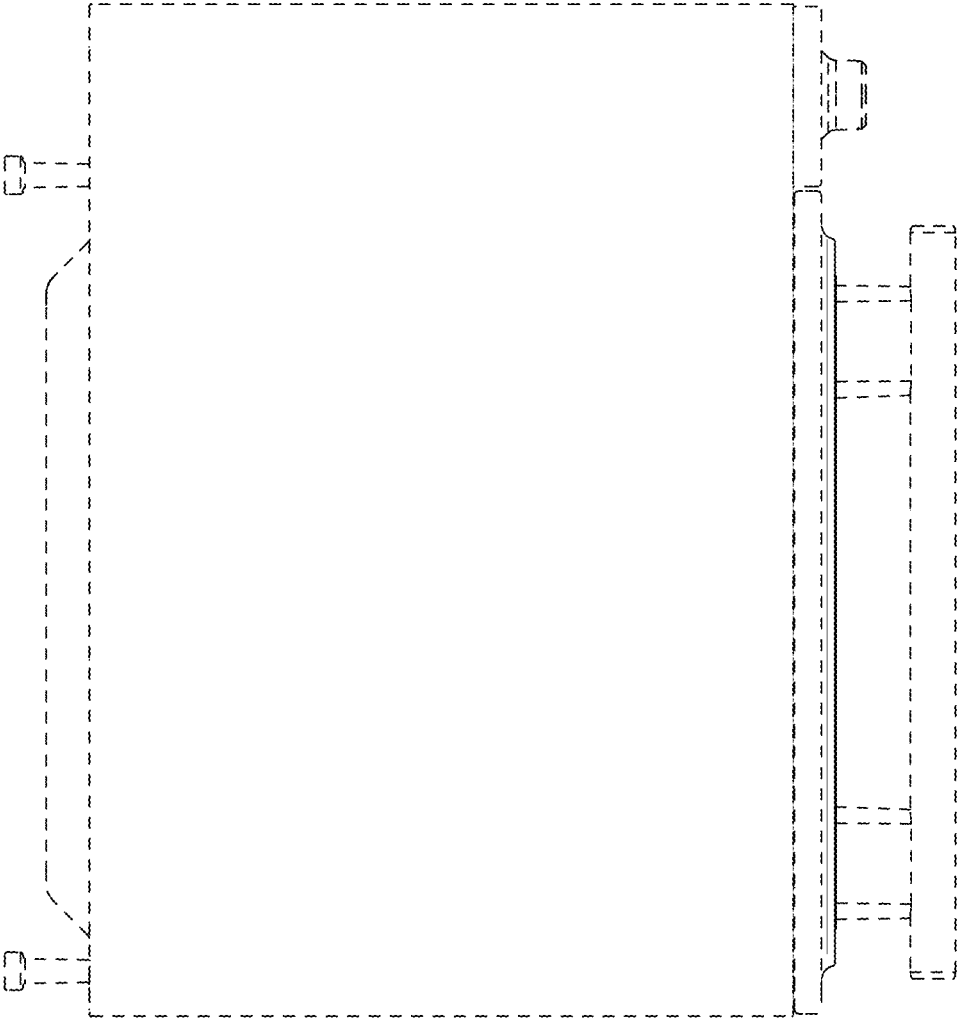


FIG. 7

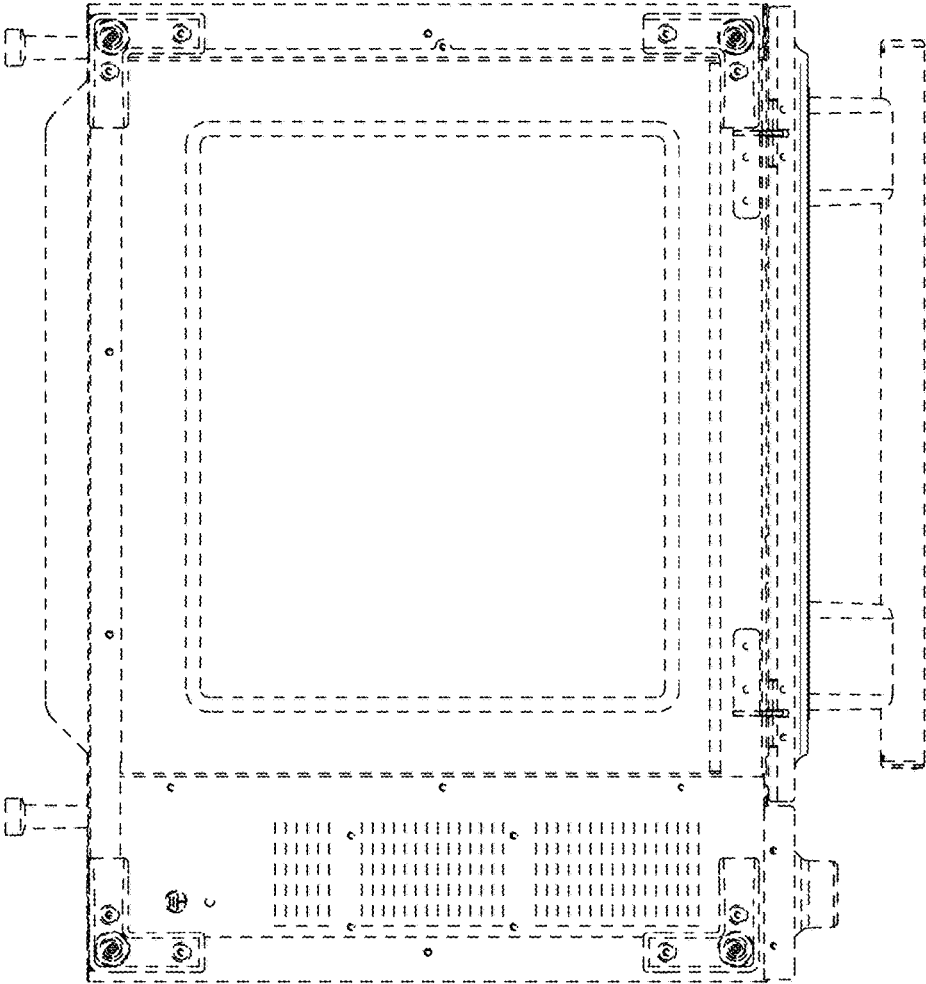


FIG. 8