



US0D1058905S

(12) **United States Design Patent**  
**Huang**

(10) **Patent No.:** **US D1,058,905 S**  
(45) **Date of Patent:** **\*\* Jan. 21, 2025**

(54) **PLANT GROWTH LAMP**

FOREIGN PATENT DOCUMENTS

(71) Applicant: **Shifeng Huang**, Guilin (CN)

CN 202130450552.3 \* 11/2021  
WO D237014-001 \* 5/2024

(72) Inventor: **Shifeng Huang**, Guilin (CN)

(\*\*) Term: **15 Years**

(21) Appl. No.: **29/907,544**

(22) Filed: **Jan. 8, 2024**

(51) **LOC (15) Cl.** ..... **26-05**

(52) **U.S. Cl.**  
USPC ..... **D26/93**

(58) **Field of Classification Search**  
USPC ..... D26/24, 61, 93, 102, 106, 110, 51, 55,  
D26/60, 62-67, 76; D25/126;  
D11/143-148, 152, 155, 156  
CPC .... F21S 6/00; F21S 6/005; F21S 8/032; F21S  
8/03; F21S 8/033; F21L 4/00; F21L 4/02;  
F21L 4/025; F21L 4/027  
See application file for complete search history.

(56) **References Cited**

U.S. PATENT DOCUMENTS

D465,054 S *	10/2002	Lau	.....	D26/93
D488,249 S *	4/2004	Opolka	.....	D26/110
D878,654 S *	3/2020	Lin	.....	D26/60
D921,255 S	6/2021	Jia		
D924,610 S *	7/2021	Hodgson	.....	D6/681.1
D929,022 S *	8/2021	Tang	.....	D26/102
D940,380 S *	1/2022	Xu	.....	D26/93
D950,137 S *	4/2022	Chen	.....	D26/93
D950,819 S *	5/2022	Guo	.....	D26/60
D952,219 S *	5/2022	Huang	.....	D26/102
D957,036 S *	7/2022	Levy	.....	F21S 8/03 D26/93
D966,589 S *	10/2022	Jia	.....	A01G 9/249 D26/60

(Continued)

OTHER PUBLICATIONS

“Amazon—Sondiko Grow Lights for Indoor Plants”, posted Nov. 3, 2023, [online], [retrieved Jul. 26, 2024]. Retrieved from internet, <https://amazon.com/Sondiko-Illumination-Auto-Timer-20in-50in-Adjustable/dp/B0CMHTG4DS> (Year: 2023).\*

(Continued)

*Primary Examiner* — Darcey E Gottschalk  
*Assistant Examiner* — Bailey M Knotts  
(74) *Attorney, Agent, or Firm* — Jeenam Park

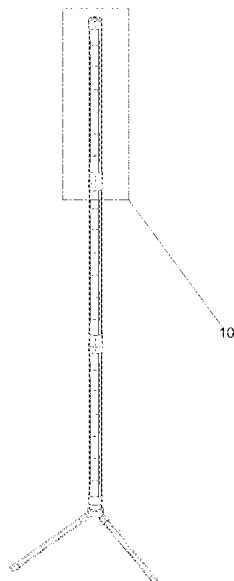
(57) **CLAIM**

The ornamental design for a plant growth lamp, as shown and described.

**DESCRIPTION**

FIG. 1 is a front, left and top perspective view of a plant growth lamp, showing my new design;  
FIG. 2 is a rear, right and bottom perspective view thereof;  
FIG. 3 is a front view thereof;  
FIG. 4 is a rear view thereof;  
FIG. 5 is a left side view thereof;  
FIG. 6 is a right side view thereof;  
FIG. 7 is a top plan view thereof;  
FIG. 8 is a bottom plan view thereof;  
FIG. 9 is an exploded perspective view;  
FIG. 10 is an enlarged view of portion of FIG. 1 thereof; and,  
FIG. 11 is an enlarged view of portion of FIG. 2 thereof.  
The broken lines shown in the drawings illustrate portions of the plant growth lamp that form no part of the claimed design.  
The dot-dash broken lines depict the boundaries of the enlargements that form no part of the claimed design.

**1 Claim, 11 Drawing Sheets**



(56)

**References Cited**

U.S. PATENT DOCUMENTS

D979,823	S *	2/2023	Wang	.....	D26/60
D990,751	S *	6/2023	Sun	.....	D26/106
D998,191	S *	9/2023	Cheng	.....	D26/102
D999,957	S	9/2023	Rang		
D1,002,081	S *	10/2023	Huang	.....	D26/106
D1,013,935	S *	2/2024	Liu	.....	D26/102
D1,017,873	S *	3/2024	Liu	.....	D26/102
D1,025,443	S *	4/2024	Liu	.....	D26/102
D1,035,087	S *	7/2024	Du	.....	D26/107
2008/0117648	A1 *	5/2008	Weiser	.....	F21S 9/035 362/555

OTHER PUBLICATIONS

“Amazon—Narotood Grow Lights for Indoor Plants”, posted Dec. 11, 2023, [online], [retrieved Jul. 26, 2024]. Retrieved from internet, <https://www.amazon.com/Narotood-Adjustable-Spectral-Detachable-Spectrum/dp/B0CPXM8YVZ?th=1> (Year: 2023).\*

\* cited by examiner

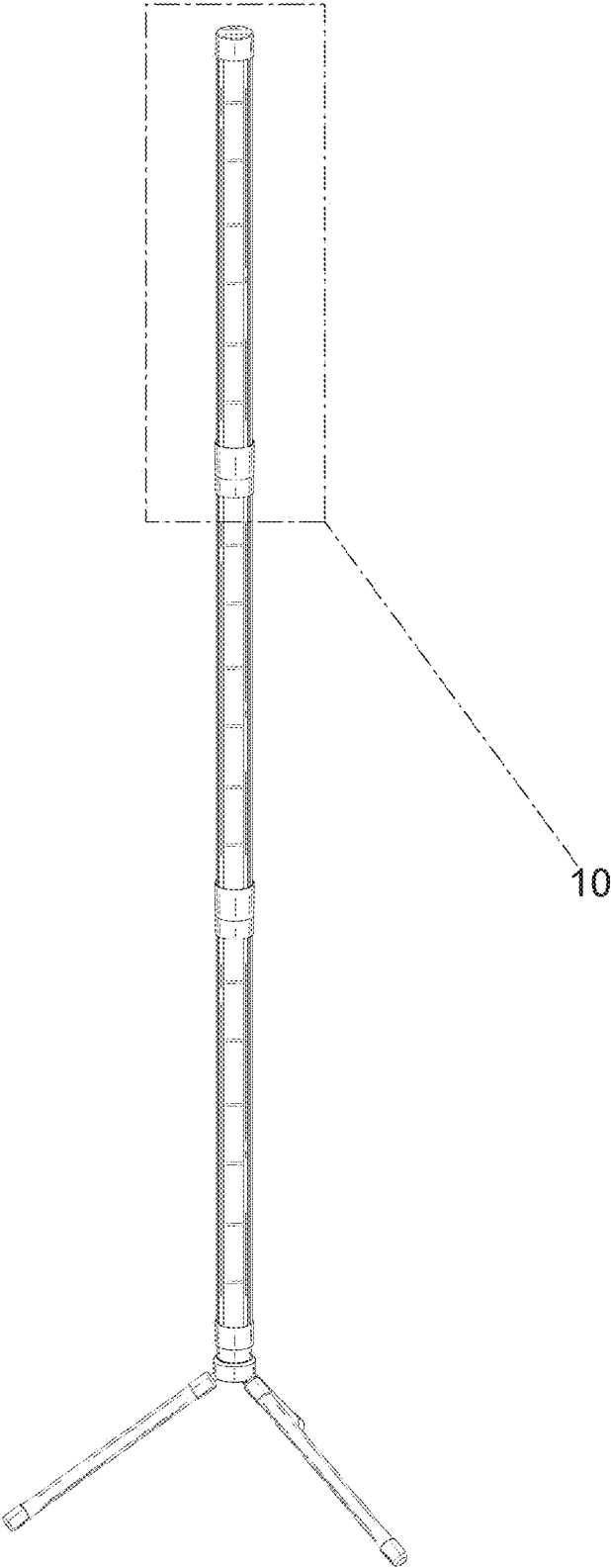


FIG. 1

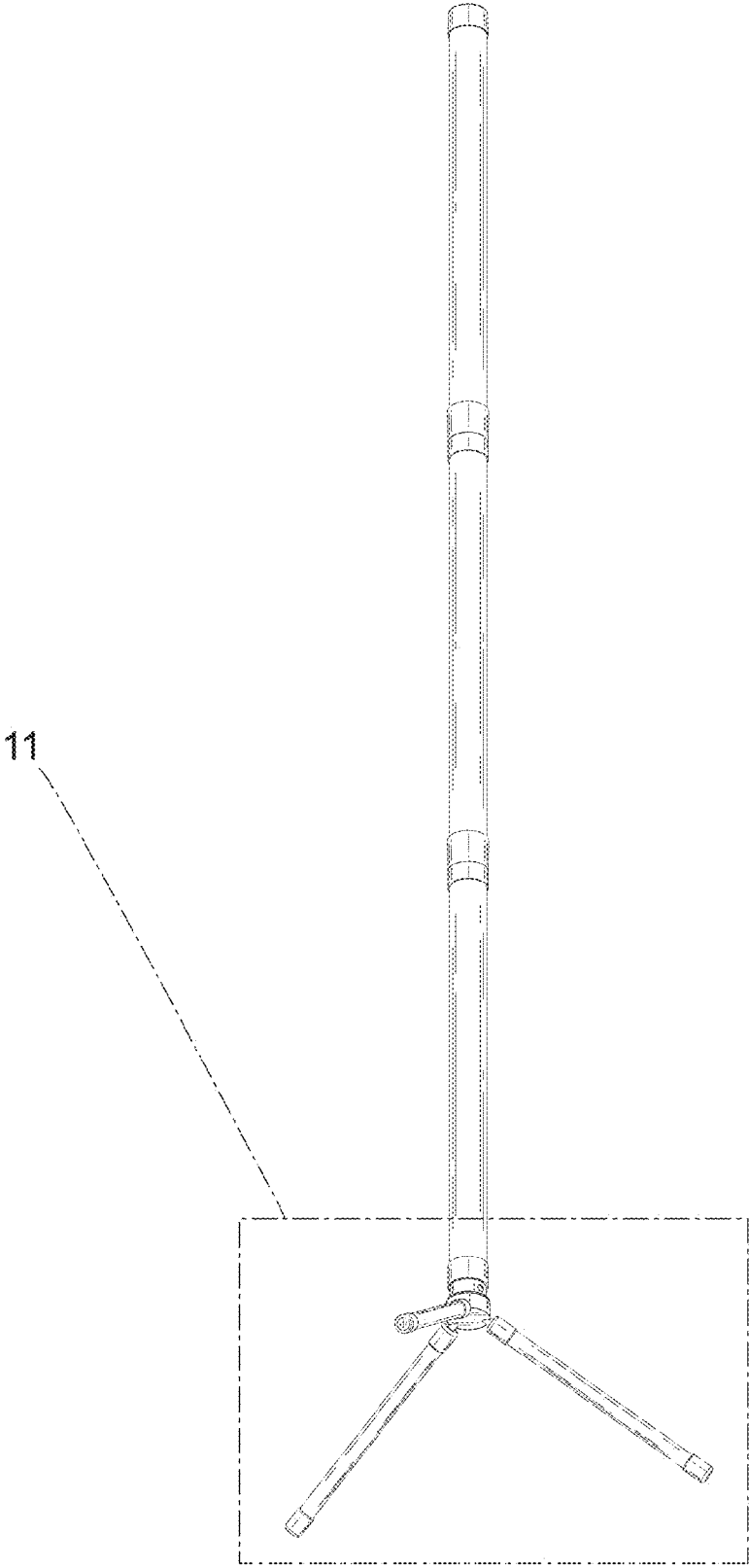


FIG. 2

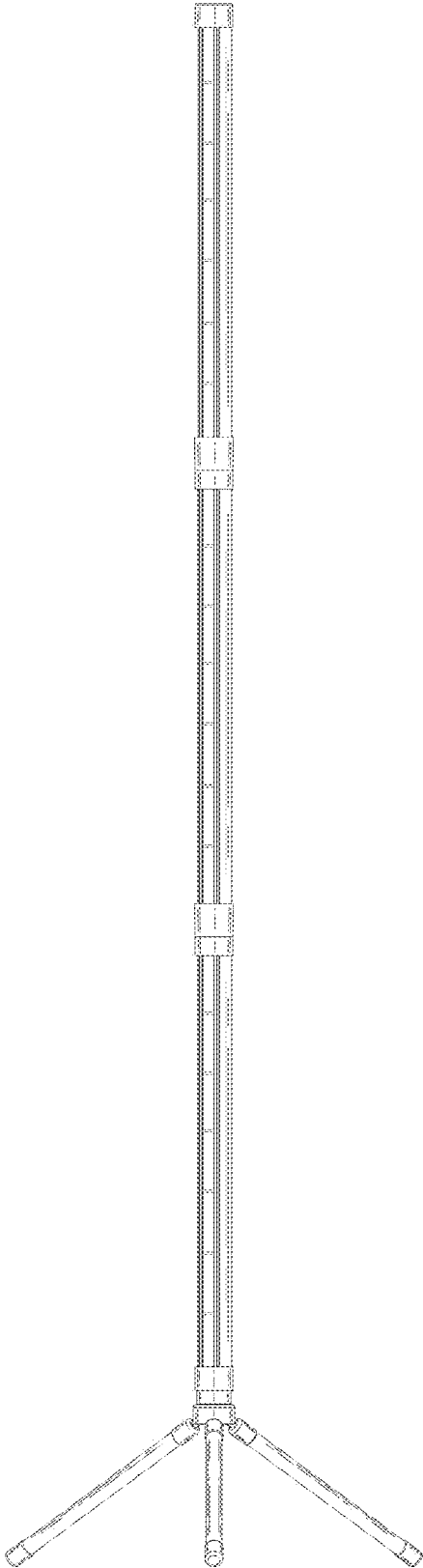


FIG. 3

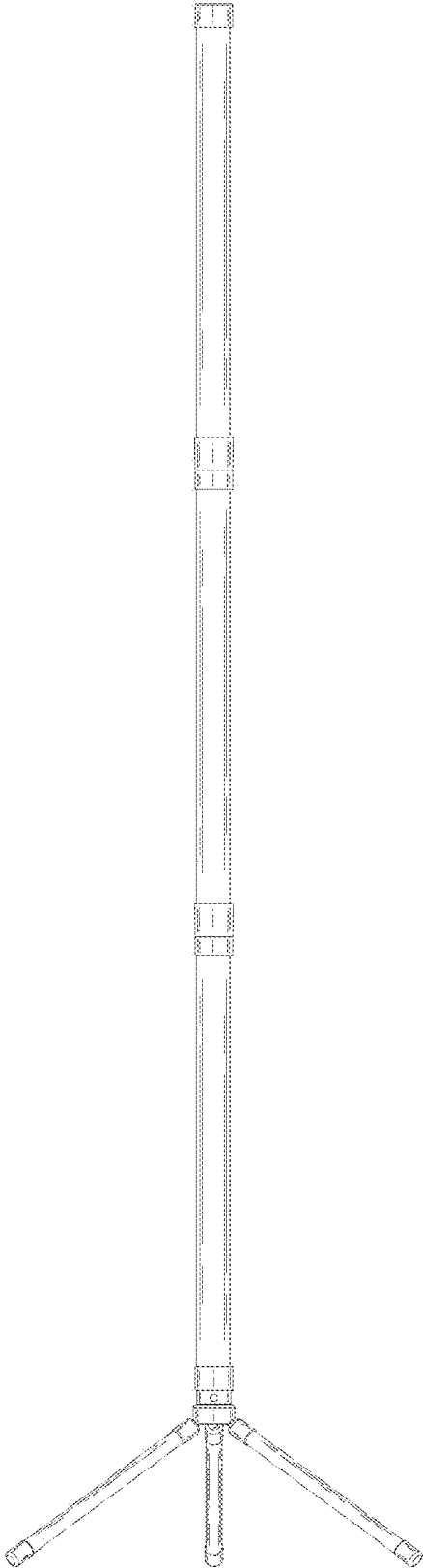


FIG. 4

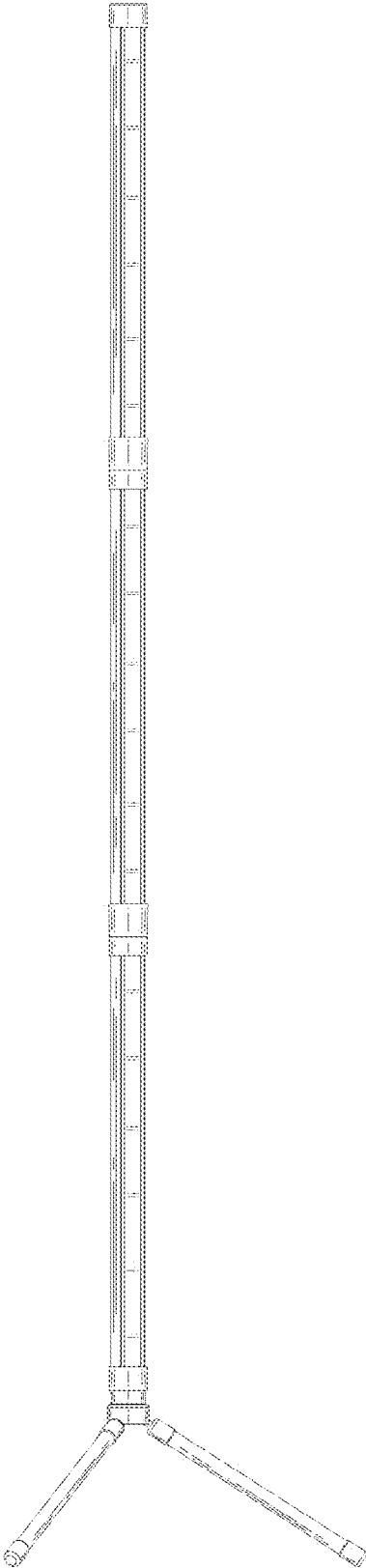


FIG. 5

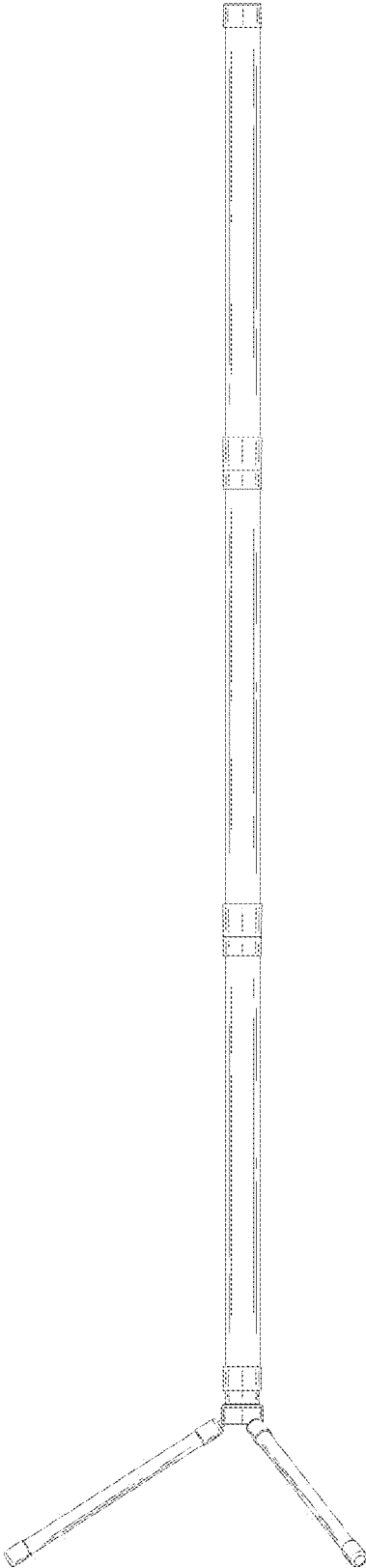


FIG. 6



FIG. 7

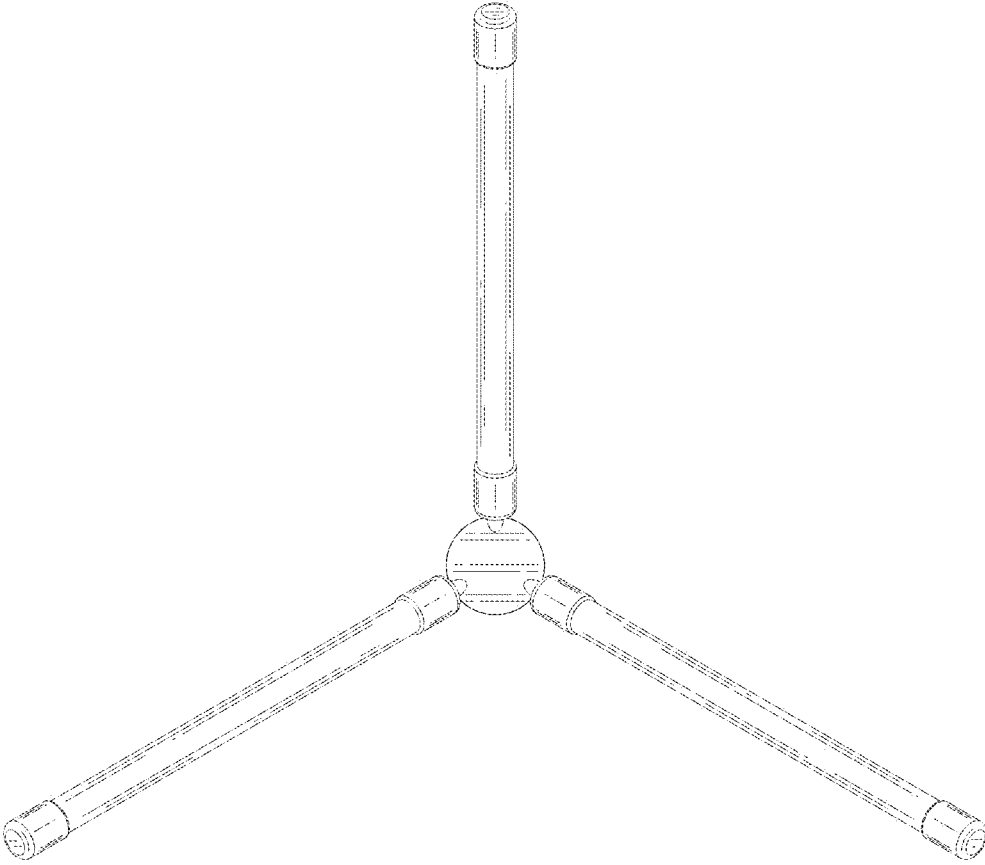


FIG. 8

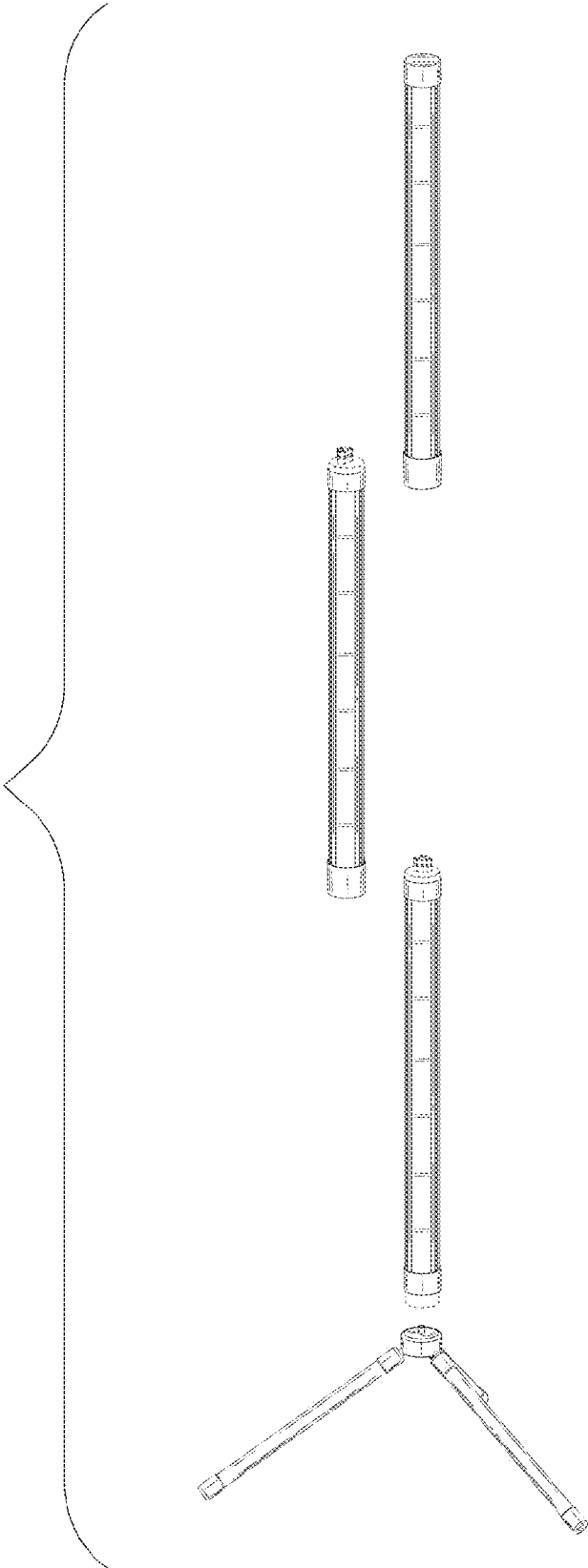


FIG. 9

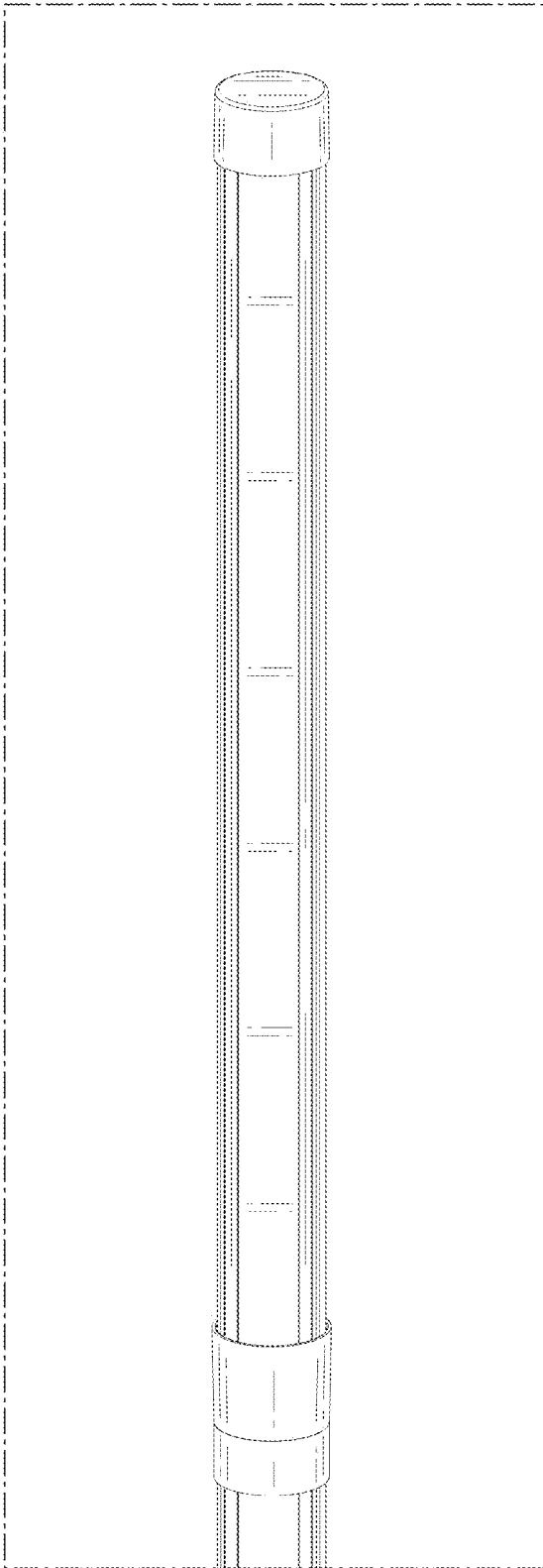


FIG. 10

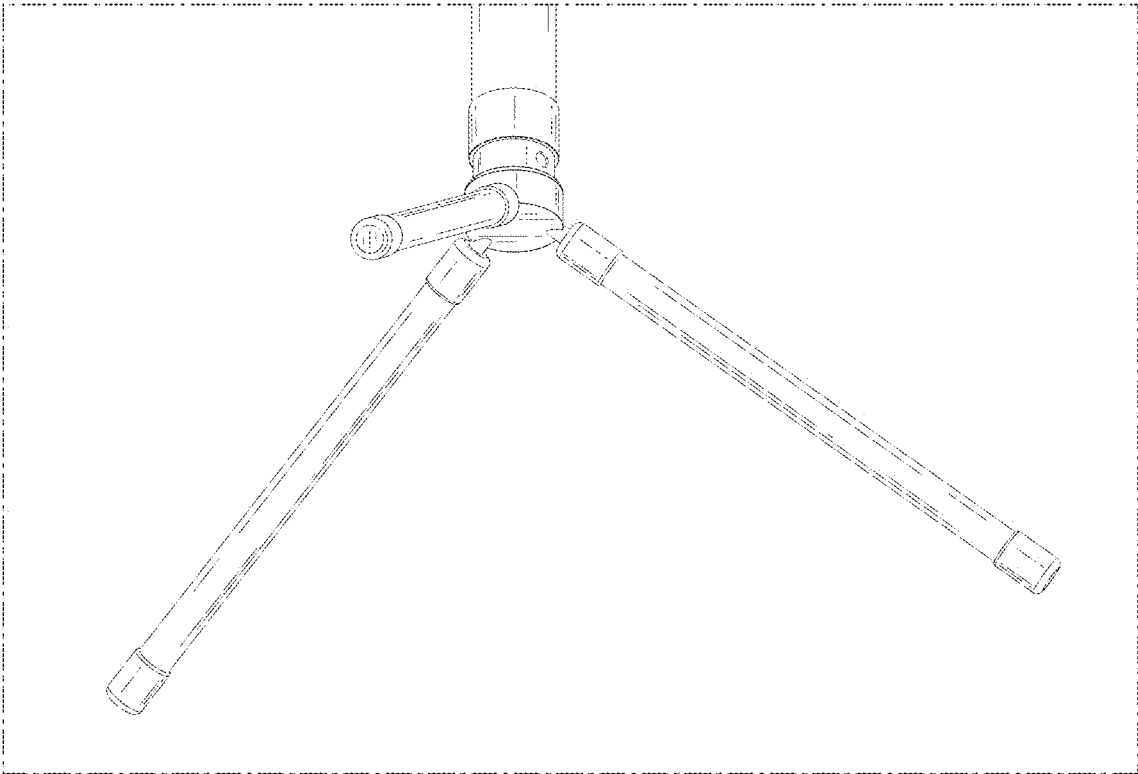


FIG. 11