

(19) World Intellectual Property Organization  
International Bureau



(43) International Publication Date  
24 July 2008 (24.07.2008)

PCT

(10) International Publication Number  
**WO 2008/088920 A3**

(51) International Patent Classification:  
A61M 29/00 (2006.01)

(74) Agent: HOEKENDUK, Jens E.; P.O. Box 4787,  
Burlingame, California 94011-4787 (US).

(21) International Application Number:  
PCT/US2008/000814

(81) Designated States (unless otherwise indicated, for every kind of national protection available): AE, AG, AL, AM, AO, AT, AU, AZ, BA, BB, BG, BH, BR, BW, BY, BZ, CA, CH, CN, CO, CR, CU, CZ, DE, DK, DM, DO, DZ, EC, EE, EG, ES, FI, GB, GD, GE, GH, GM, GT, HN, HR, HU, ID, IL, IN, IS, JP, KE, KG, KM, KN, KP, KR, KZ, LA, LC, LK, LR, LS, LT, LU, LY, MA, MD, ME, MG, MK, MN, MW, MX, MY, MZ, NA, NG, NI, NO, NZ, OM, PG, PH, PL, PT, RO, RS, RU, SC, SD, SE, SG, SK, SL, SM, SY, TJ, TM, TN, TR, TT, TZ, UA, UG, US, UZ, VC, VN, ZA, ZM, ZW

(22) International Filing Date: 18 January 2008 (18.01.2008)

(25) Filing Language: English

(26) Publication Language: English

(30) Priority Data:  
11/655,779 18 January 2007 (18.01.2007) US

(71) Applicant (for all designated States except US): CON-  
CENTRIC MEDICAL, INC. [US/US]; 301 East Evelyn  
Avenue, Mountain View, California 94041 (US).

(84) Designated States (unless otherwise indicated, for every kind of regional protection available): ARIPO (BW, GH, GM, KE, LS, MW, MZ, NA, SD, SL, SZ, TZ, UG, ZM, ZW), Eurasian (AM, AZ, BY, KG, KZ, MD, RU, TJ, TM), European (AT, BE, BG, CH, CY, CZ, DE, DK, EE, ES, FI, FR, GB, GR, HR, HU, IE, IS, IT, LT, LU, LV, MC, MT, NL, NO, PL, PT, RO, SE, SI, SK, TR), OAPI (BF, BJ, CF, CG, CI, CM, GA, GN, GQ, GW, ML, MR, NE, SN, TD, TG).

(72) Inventors; and

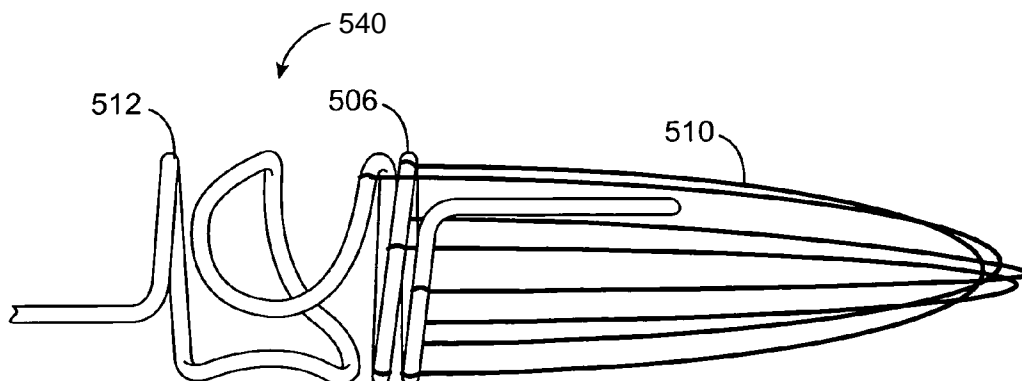
(75) Inventors/Applicants (for US only): FRENCH, Ron [US/US]; 1284 Carmel Way, Santa Clara, California 95050 (US). WILSON, Scott [US/US]; 1045 Eden Bower Lane, Redwood City, California 94061 (US). BARMAN, NeU [US/US]; 2160 Santa Cruz Avenue #22, Menlo Park, California 94025 (US). VU, Emily [US/US]; 932 Ivy Glen Drive, San Jose, California 95133 (US). MILLER, John [US/US]; 603 Vera Avenue, Redwood City, California 94061 (US).

Published:

— with international search report

(88) Date of publication of the international search report:  
16 October 2008

(54) Title: DEVICES AND METHODS FOR REMOVING OBSTRUCTIONS FROM A PATIENT AND METHODS FOR MAKING OBSTRUCTION REMOVING DEVICES



(57) Abstract: The present invention provides an obstruction removing device and a method for making the obstruction removing device. The method includes two mandrels with an elongate element being wound around the first mandrel and then wrapped around the second mandrel. The mandrels are movable relative to one another so that the second mandrel may be moved closer to the first mandrel after winding the element around the first mandrel and before winding the element around the second mandrel.

WO 2008/088920 A3

## INTERNATIONALSEARCH REPORT

International application No

PCT/US 08/00814

<b>A CLASSIFICATION OF SUBJECT MATTER</b> IPC(8) - A61 M 29/00 (2008.04) USPC - 606/200 According to International Patent Classification (IPC) or to both national classification and IPC		
<b>B FIELDS SEARCHED</b> Minimum documentation searched (classification system followed by classification symbols) USPC 606/200 Documentation searched other than minimum documentation to the extent that such documents are included in the fields searched Electronic data base consulted during the international search (name of data base and, where practicable, search terms used) WEST (PGPB.USPT.USOC.EPAB.JPAB), Google (Patents, Scholar, and Web) remove obstruction blood vessel mandrel wrap loop slidable catheter cerebral elongate collapsed		
<b>C DOCUMENTS CONSIDERED TO BE RELEVANT</b>		
Category*	Citation of document, with indication, where appropriate, of the relevant passages	Relevant to claim No
Y	US 2005/0125024 A1 (SEPETKA et al) 9 Jun 2005 (09 06 2005), Abstract, para [0006]-[0008], [0014], [0023], [0108], [0110], [01 12], [0135], [0136], [0159], [0161], [0162], [0167]-[0172], [0173], Figs 2-4, Fig 59	1-36
Y	US 2005/0288686 A1 (SEPETKA et al) 29 Dec 2005 (29 12 2005), para [0020], [0093]-[0096], [0098], [0099], [0102], [0103], [0106], [01 12]-[01 16], Fig 22, Fig 26, Fig 27	1-36
<input type="checkbox"/> Further documents are listed in the continuation of Box C		
<b>D</b> * Special categories of cited documents "A" document defining the general state of the art which is not considered to be of particular relevance "E" earlier application or patent but published on or after the international filing date "L" document which may throw doubts on priority claim(s) or which is cited to establish the publication date of another citation or other special reason (as specified) "O" document referring to an oral disclosure, use, exhibition or other means "P" document published prior to the international filing date but later than the priority date claimed "T" later document published after the international filing date or priority date and not in conflict with the application but cited to understand the principle or theory underlying the invention "X" document of particular relevance, the claimed invention cannot be considered novel or cannot be considered to involve an inventive step when the document is taken alone "Y" document of particular relevance, the claimed invention cannot be considered to involve an inventive step when the document is combined with one or more other such documents, such combination being obvious to a person skilled in the art "&" document member of the same patent family		
Date of the actual completion of the international search 24 June 2008 (24 06 2008)		Date of mailing of the international search report <b>02 JUL 2008</b>
Name and mailing address of the ISA/AJS Mail Stop PCT, Attn ISA/US, Commissioner for Patents P O Box 1450, Alexandria, Virginia 22313-1450 Facsimile No 571-273-3201		Authorized officer <b>Lee W Young</b> PCT Helpdesk. 571-272-4300 PCT OSP 571 272 7774