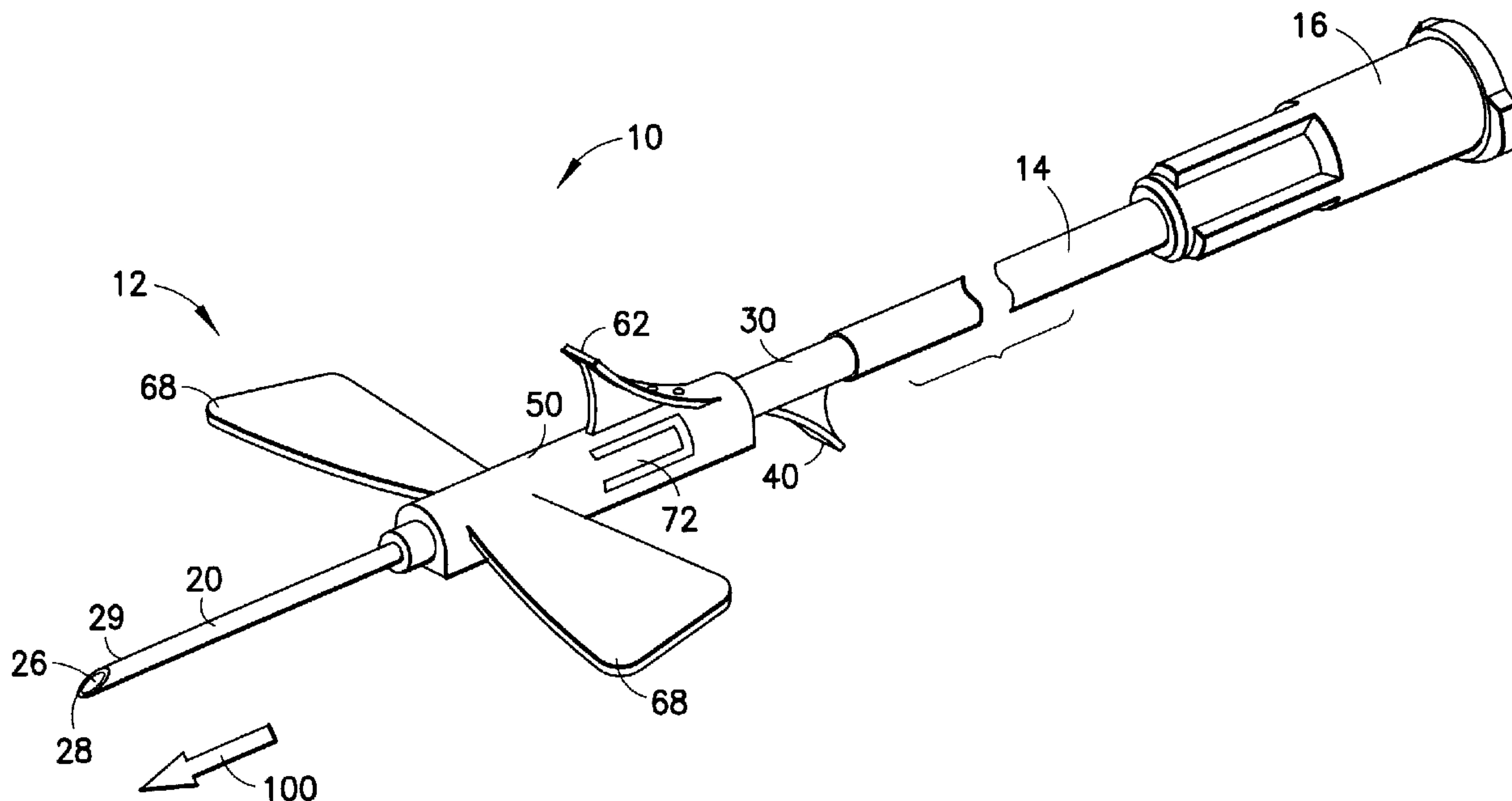




(22) Date de dépôt/Filing Date: 2002/10/10
(41) Mise à la disp. pub./Open to Public Insp.: 2003/09/15
(30) Priorité/Priority: 2002/03/15 (10/100,307) US

(51) Cl.Int.⁷/Int.Cl.⁷ A61M 5/32, A61J 1/05
(71) Demandeur/Applicant:
BECTON, DICKINSON AND COMPANY, US
(72) Inventeurs/Inventors:
WILKINSON, BRADLEY M., US;
NIERMANN, VOLKER, US
(74) Agent: GOWLING LAFLEUR HENDERSON LLP

(54) Titre : DISPOSITIF DE PROTECTION SECURITAIRE DE LA POINTE
(54) Title: FORWARD SHIELDING SAFETY DEVICE



(57) Abrégé/Abstract:

The present invention is directed to a shieldable blood collection set as well as a needle assembly for use therein. The needle assembly includes a needle cannula having a puncture tip at a distal end thereof and a hub which supports the needle cannula. A hollow outer shield co-axially surrounds a distal end of the hub and has an inner surface which is in cooperating engagement with an outer surface of the hub. The hub includes a first tab extending outwardly at a position which is exposed from the outer shield, and the outer shield includes a second tab. The first tab and the second tab are configured such that opposing forces applied against the tabs cause the outer shield to move from a retracted position in which the puncture tip of the needle cannula is exposed, to an extended position in which the outer shield covers the puncture tip.

FORWARD SHIELDING SAFETY DEVICE

ABSTRACT OF THE DISCLOSURE

The present invention is directed to a shieldable blood collection set as well as a needle assembly for use therein. The needle assembly includes a needle cannula having a puncture tip at a distal end thereof and a hub which supports the needle cannula. A hollow outer shield co-axially surrounds a distal end of the hub and has an inner surface which is in cooperating engagement with an outer surface of the hub. The hub includes a first tab extending outwardly at a position which is exposed from the outer shield, and the outer shield includes a second tab. The first tab and the second tab are configured such that opposing forces applied against the tabs cause the outer shield to move from a retracted position in which the puncture tip of the needle cannula is exposed, to an extended position in which the outer shield covers the puncture tip.

FORWARD SHIELDING SAFETY DEVICE

BACKGROUND OF THE INVENTION

1. Field of the Invention

[0001] The present invention relates to blood collection sets for safe and convenient handling of needles. More particularly, the present invention relates to a blood collection set including a needle assembly having a forward moving safety shield for protection from a used needle tip.

2. Description of Related Art

[0002] Disposable medical devices having piercing elements are typically used for administering a medication or withdrawing a fluid, such as blood collecting needles, fluid handling needles and assemblies thereof. Current medical practice requires that the fluid containers and needle assemblies used in such systems be inexpensive and readily disposable. Consequently, existing blood collection systems, for example, typically employ some form of durable, reusable holder on which detachable and disposable needles and fluid collection tubes may be mounted. A blood collection system of this nature can be assembled prior to use and then disassembled after usage. Thus, these blood collection systems allow repeated use of the relatively expensive holder upon replacement of the relatively inexpensive needle and/or fluid collection tube. In addition to reducing the cost of collecting blood specimens, these blood collection systems also help minimize the production of hazardous medical waste.

[0003] A blood collection set or intravenous (IV) infusion set typically includes a needle cannula having a proximal end, a pointed distal end and a lumen extending therebetween. The proximal end of the needle cannula is securely mounted in a plastic hub with a central passage that communicates with the lumen through the needle cannula. A thin flexible thermoplastic tube is connected to the hub and communicates with the lumen of the needle cannula. The end of the plastic tube remote from the needle cannula may include a fixture for connecting the needle cannula to a blood collection tube or some other receptacle. The specific construction of the fixture will depend upon the characteristics of the receptacle to which the fixture will be connected.

[0004] In order to reduce the risk of incurring an accidental needle-stick wound, protection of used needle tips becomes important. With concern about infection and transmission of diseases, methods and devices to enclose the used disposable needle have become very important and in great demand. For example, some needle assemblies commonly employ a safety shield that can be moved into shielding engagement with a used needle cannula without risking an accidental needle stick.

[0005] U.S. Patent Nos. 5,085,639, 5,088,982 and 5,154,699 disclose safety winged needle devices for use with blood collection sets or infusion sets. The safety needle devices of these patents include an inner tube and an outer tube having cooperating surfaces in contact with each other, with the cooperating surfaces having mating grooves and ramps. By applying a force in opposing directions on the inner and outer tubes, the outer tube is forcibly moved along the ramps and into engagement with the grooves of the inner tube, thereby moving the outer tube, and therefore the outer shield, into a shielding position and locking the shield in place about the needle tip. The cooperating surfaces of such outer and inner tubes, however, provide a frictional engagement which requires much force to overcome. Moreover, maintaining an

appropriate grip on the needle device to forcibly move the outer and inner tubes apart can be difficult due to the profile of the needle device.

[0006] U.S. Patent No. 6,165,157 discloses a needle guard which includes a “thumb-knob” or protrusion on the outer guard to assist in manipulation of the outer guard by providing an abutment against which the thumb of the user can push in order to pull the needle and needle mount into the outer guard using only one hand. Retraction of the needle in this manner, however, requires the user to grip the flexible tube in the user’s palm, which does not provide an effective gripping surface for maintaining the needle device in place during retraction, and may cause the flexible tube to be separated from the needle device during retraction.

[0007] Accordingly, a need exists for a needle assembly for use with a blood collection set which achieves secure and effective shielding of a used needle tip and which is simple and inexpensive to manufacture and easy to operate.

SUMMARY OF THE INVENTION

[0008] The present invention is directed to a shieldable blood collection set as well as a needle assembly for use in a blood collection set. The needle assembly includes a hub including an elongated tubular body having an outer surface, a proximal end, a distal end and a passageway extending therethrough. The hub further includes a first tab extending outwardly from the proximal end of the tubular body for engagement with a user’s finger. The distal end of the hub supports a needle cannula, which includes a puncture tip at a distal end thereof. A hollow outer shield co-axially surrounds the distal end of the tubular body of the hub. The outer shield includes a housing having a proximal end, a distal end and a passageway extending therethrough, as well as a second tab extending outwardly from the housing for engagement with a user’s thumb. The first tab extends from the tubular body of the hub at a position which is exposed from the

proximal end of the outer shield, and the housing of the outer shield has an inner surface which is in cooperating engagement with the outer surface of the hub.

[0009] The first tab and the second tab are configured such that opposing forces applied against the first tab and the second tab cause the outer shield to move toward the distal end of the needle cannula from a retracted position in which the puncture tip of the needle cannula is exposed, to an extended position in which the outer shield covers the puncture tip of the needle cannula.

[0010] Desirably, the first tab extends from a bottom portion of the hub and the second tab extends from a top portion of the housing of the outer shield at a position adjacent the first tab. As such, the first and second tabs are configured for engagement with a user's finger and thumb, respectively, for activation and movement of the outer shield from the retracted position to the activated position.

[0011] In particularly desirable embodiments, the outer surface of the hub includes a series of grooves and ramps and the inner surface of the outer shield cooperates with the outer surface of the hub. Such corresponding grooves and ramps provide for frictional engagement between the outer shield and the hub, thereby preventing the outer shield from movement between the retracted position and the activated position until a force is exerted thereon.

[0012] The present invention further includes a blood collection set including a needle assembly as described, a fixture for connecting the blood collection set to a receptacle, and a flexible tube extending between the blood collection set and the needle assembly at the proximal end of the hub.

DESCRIPTION OF THE DRAWINGS

- [0013] FIG. 1 is a perspective view of a blood collection set in accordance with the present invention;
- [0014] FIG. 2 is a top plan view of a hub adapted for receiving a needle cannula;
- [0015] FIG. 3 is a side plan view of a hub including a needle cannula;
- [0016] FIG. 4 is a side view of the second groove section of the hub shown in FIG. 2 ;
- [0017] FIG. 5 is a side view of the proximal end of the hub shown in FIG. 2;
- [0018] FIG. 6 is a side view of the first groove section at the distal end of the hub shown in FIG. 2;
- [0019] FIG. 7 is a plan view of a winged outer shield in accordance with the present invention;
- [0020] FIG. 8 is a side plan view of the outer shield shown in FIG. 7;
- [0021] FIG. 9 is an enlarged plan view of the proximal end of the outer shield shown in FIG. 7;
- [0022] FIG. 10 is a side plan view of the blood collection set shown in FIG. 1 showing the outer shield in a retracted position; and

[0023] FIG. 11 is a side plan view of the blood collection set shown in FIG. 1 showing the outer shield in an extended position.

DETAILED DESCRIPTION

[0024] Referring to the drawings in which like reference characters refer to like parts throughout the several views thereof, FIG. 1 illustrates a blood collection set **10** in accordance with the present invention and the related features. The present invention is generally described in terms of a blood collection set, and encompasses such a blood collection set as well as a shieldable needle assembly for use in such a blood collection set.

[0025] As shown in FIG. 1, blood collection set **10** includes a shieldable needle device **12**, a flexible tube **14** extending from needle device **12** and a fixture **16** mounted to flexible tube **14**. Shieldable needle device **12** of blood collection set **10** is shown in detail in FIGS. 2-9, and includes a needle cannula **20**, a hub **30** and an outer shield **50**. Fixture **16** is connectable to a receptacle (not shown) for use in blood collection procedures, as is known in the art.

[0026] Needle cannula **20** includes a proximal end **22** and an opposing distal end **24**, with lumen **26** extending through needle cannula **20** from proximal end **22** to distal end **24**. Distal end **24** of needle cannula **20** is beveled to define a sharp puncture tip **28**, such as an intravenous puncture tip. Puncture tip **28** is provided for insertion into a patient's blood vessel, such as a vein, and is therefore designed to provide ease of insertion and minimal discomfort during venipuncture. A removable protective cover (not shown) may be positioned over distal end **24** of needle cannula **20** for protection from puncture tip **28** prior to use of blood collection set **10**.

[0027] Needle assembly **12** further includes hub **30**. Hub **30** is a unitary structure, desirably molded from a thermoplastic material. Hub **30** is a generally elongated tubular body having a proximal end **32**, a distal end **34**, an outer surface **36** and an internal passageway **38** extending therethrough from proximal end **32** to distal end **34**. Needle cannula **20** is positioned within and is supported by internal passageway **38** of hub **30**, with distal end **24** of needle cannula **20** extending from distal end **34** of hub **30**. Desirably, needle cannula **20** and hub **30** are separate parts which are fixedly attached and secured through an appropriate medical grade adhesive or the like. As shown in FIG. 2, hub **30** may include a restriction **293** adjacent distal end **34** thereof, against which proximal end **22** of needle cannula **20** may abut. Alternatively, as shown in FIG. 3, needle cannula **20** may extend within the entire length of hub **30** to the proximal end **32** of hub **30**.

[0028] Proximal end **32** of hub **30** is adapted for connection with a flexible tube **14** of blood collection set **10**. Hub **30** desirably includes ribs **46** extending circumferentially about outer surface **36** at proximal end **32** of hub **30**, for coupling with flexible tube **14**.

[0029] Hub **30** further includes a first tab **40** extending outwardly from outer surface **36** at a location adjacent proximal end **32** of hub **30**, and at a position distal to ribs **46**. More particularly, first tab **40** extends from outer surface **36** of hub **30** at a position in front of the connection between hub **30** and flexible tube **14**. In this manner, flexible tab **40** is accessible to a user's finger when needle device **12** is assembled with first tube **14** in blood collection set **10**.

[0030] Desirably, first tab **40** extends from outer surface **36** at a bottom portion of hub **30** adjacent proximal end **32** of hub **30**. Moreover, first tab **40** desirably extends in a direction toward flexible tube **14**. First tab **40** includes a ramped surface **42** having protrusions **44** thereon, for providing frictional engagement with a user's finger.

[0031] Needle assembly 12 further includes hollow outer shield 50. Outer shield 50 includes a housing 52. Housing 52 is a unitary structure, desirably molded from a thermoplastic material, including a proximal end 54, a distal end 56 and an internal passageway 58 extending between proximal end 54 and distal end 56. The inner wall of housing 52 defines an internal surface 60 therethrough.

[0032] Outer shield 50 further includes a second tab 62 extending outwardly from a top portion of housing 52 near proximal end 54 of outer shield 50. Second tab 62 extends outwardly from outer shield 50 in a direction toward distal end 56 of outer shield 50. Second tab 62 includes a ramped surface 64 having protrusions 66 thereon for providing frictional engagement with a user's thumb.

[0033] Outer shield 50 co-axially surrounds distal end 34 of hub 30. In such a manner, proximal end 32 of hub 30 extends beyond proximal end 54 of outer shield 50 such that first tab 40 of hub 30 extends beyond proximal end 54 of outer shield 50. Moreover, internal surface 60 of outer shield 50 is in cooperating engagement with outer surface 36 of hub 30. Outer shield 50 is movable between a retracted position in which first tab 40 is exposed from proximal end 54 of outer shield 50 and puncture tip 28 is exposed from distal end 56 of outer shield 50, and an extended position in which puncture tip 28 and distal end 24 of needle cannula 20 are covered by outer shield 50.

[0034] First tab 40 and second tab 62 are configured such that opposing forces applied against first tab 40 and second tab 62 cause outer shield 50 to move toward distal end 24 of needle cannula 20 in a direction of arrow 100 from the retracted position to the extended position. Protrusions 44 and 66 on first tab 40 and second tab 62, respectively, provide frictional engagement with the user's finger and thumb, respectively, to facilitate moving outer shield 50 from the retracted position to the extended position.

[0035] Outer shield **50** may further include a pair of stabilizers in the form of wings **68** extending laterally from outer shield **50** at opposing sides thereof, providing blood collection set **10** as a butterfly-type wing assembly. Wings **68** assist in positioning and placing needle device **12** and blood collection set **10** during a blood collection procedure and are adapted to lie flat against the surface of a patient's skin during the blood collection procedure. As such, wings **68** may be constructed of a flexible material such that at least one, and desirably both, of wings **68** can be bent toward each other and brought together between the fingers of the user to assist in positioning and placing needle device **12** during venipuncture.

[0036] Housing **52** of outer shield **50** may also include a cutaway portion **70** extending through at least one side of housing **52**, and desirably, extending through both sides of housing **52** at opposing lateral sides. Cutaway portion **70** defines a flexible finger **72**, which is adapted for radial outward flexing during movement of outer shield **50** from the retracted position to the extended position, thereby permitting sliding engagement of outer shield **50** with respect to hub **30** about the cooperating surfaces thereof.

[0037] In particularly desirable embodiments, outer surface **36** of hub **30** and internal surface **60** of outer shield **50** include a plurality of corresponding grooves and ramped surfaces for providing cooperating axial movement therebetween in a predetermined manner. For example, as seen in FIGS. 2-6, outer surface **35** of hub **30** includes a front shoulder **246** of relatively large diameter. The front shoulder **246** is defined by a front face **247** and a rear abutment face **248**. Directly behind the front shoulder **246** is a first groove **238** which is defined on one side by the abutment face **248** and on its other side by the termination (rear abutment face) **250** of a ramped surface **252**. The ramped surface **252** starts with a diameter smaller than that of the front shoulder **246** and ramps downward away from the first groove **238**. Ramp **252** terminates in a long valley **242** defined by outer surface **36** of hub **30**. The valley **242** has a relatively

constant diameter which is preferably substantially equal to the diameter of the first groove **238**. The valley ends in a ramp **254** which increases in diameter as it extends away from distal end **34** and towards proximal end **32** of hub **30**. Ramp **254** is followed by ramp **256** which ramps down to a second groove **236**. Second groove **236** is preferably of a diameter slightly larger than the diameter of valley **242**, and terminates in a rear abutment surface **259**. Surface **259** is also the terminating surface of a rear ramp **262**, which ends at portion **264** extending along proximal end **32** of hub **30**. First tab **40** and ribs **46** extend from hub **30** at portion **264** extending along proximal end **32** of hub **30**.

[0038] As is best seen in FIG. 3, hub **30** may be non-cylindrical such that it will not rotate inside of outer shield **50**. With such a non-cylindrical shape, front shoulder **246**, and ramps **252**, **254**, **256**, and **262** do not appear on the bottom of outer surface **36** of hub **30**. Thus, it should be appreciated that when "diameter" dimensions are provided, the term "diameter" is used in a broad sense to indicate relative cross-sectional dimensions.

[0039] Turning to FIGS. 7-9, details of the outer shield **50** in one particular embodiment are shown. Housing **52** of outer shield **50** may be nearly semicircular in cross-sectional shape, with a flat bottom surface **295**. Flat bottom surface **295** is preferably a tapered surface (as seen in FIG. 8), with the thickness of the bottom increasing according to a two and one half degree slope as it extends away from distal end **56** of outer shield **50**. As a result, when hub **50** and needle cannula **20** are positioned within outer shield **50**, needle cannula **20** assumes a downward angle preferably of about two and one half degrees, and is more easily and comfortably inserted into the vein of the patient.

[0040] Internal surface **60** of housing **52** is of a diameter slightly larger than the outer diameter of front shoulder **246** of hub **30**. However, towards proximal end **54**, the inner surface of housing **52** is arranged with two ramps **285** and **292**, although, if desired,

ramp **285** may be replaced with a non-ramped protrusion. As seen in enlarged detail in FIG. 9, ramp **285** provides housing **52** with a decreasing inner diameter as it extends toward proximal end **54** of outer shield **50**. Ramp **285** terminates in an abutment face **289** which is followed by a flat surface **287** having an inner diameter approximately equal to the outer diameter of shoulder **246** of hub **30**. Flat surface **287** ends with ramp **292** which also has a decreasing inner diameter as it extends toward proximal end **54** of outer shield **50**. The inner diameter at the end of ramp **292**, however, is of significantly smaller diameter than that of ramp **285**. Internal surface **60** of outer shield **50** terminates in a flat protrusion **234** of significantly smaller diameter than the diameter of the front shoulder **246**, with rear surface **299** provided at proximal end **54** of housing **52**.

[0041] Blood collection set **10** can be packaged substantially in the condition shown in FIG. 1. In particular, blood collection set **10** is provided with needle device **12** assembled and including flexible tube **14** extending from needle device **12** and connected to fixture **16**. Prior to use, blood collection set **10** is removed from its package. After removing blood collection set **10** from its package, it can be assembled with other appropriate medical equipment for use. Fixture **16** then may be connected to an appropriate receptacle, such as a non-patient needle assembly and a needle holder, for providing fluid communication with lumen **26** through needle cannula **20**.

[0042] To prepare for use of blood collection set **10**, the user grasps blood collection set **10** at needle device **12** and removes the protective cover (not shown) to expose puncture tip **28** of needle cannula **20**. The medical practitioner can then urge puncture tip **28** at distal end **24** of needle cannula **20** into a targeted blood vessel of a patient. During such positioning, at least one of wings **68** can be bent inwardly toward the other with the user's fingers to facilitate positioning and placing of needle device **12**. Upon completion of the procedure, such as when all desired samples have been drawn, needle cannula **20** is withdrawn from the patient. After removal of needle cannula **20** from the patient, activation of the safety feature of needle device **12** is accomplished.

[0043] In particular, as shown in FIG. 10, the user grasps needle device 12 in one hand, with the user's thumb engaging first tab 40 and one of the user's forefingers engaging second tab 62. Opposed forces are exerted on first tab 40 and second tab 62 through the user's thumb and forefinger. Such opposing force causes outer shield 50 to move in the direction of arrow 100 from the retracted position to the extended position. Hence, puncture tip 28 of needle cannula 20 is safely shielded by outer shield 50 in the extended position as shown in FIG. 11. Blood collection set 10 may then be appropriately discarded.

[0044] In embodiments where outer surface 36 of hub 30 and internal surface 60 of outer shield 50 include a plurality of corresponding grooves and surfaces for cooperating engagement as described hereinabove, an initial force is required to overcome resistance of protrusion 234 sliding over ramp 256. In order to assist in such movement, flexible fingers 72 may flex radially outwardly from housing 52 of outer shield 50, thereby decreasing the resistance and permitting axial movement of outer shield 50 along hub 30. Once protrusion 234 slides over ramp 256, little force is needed to continue sliding outer shield 50 over valley 242 of hub 30. Additional resistance is encountered when ramp 252 of hub 30 encounters ramp 285 of housing 52, as well as when ramp 285 encounters front shoulder 246. With the application of differential force on first and second tabs 40 and 62, respectively, the design of needle device 12 including the cooperating surface assists in proper movement between the retracted position and the extended position. In particular, radial flexing of flexible fingers 72, the ramped nature of ramp 285 and the rounding of the edge of shoulder 246, permit ramp 285 to be slid over front shoulder 246 until it snaps over front shoulder 246 with abutment face 289 of outer shield 50 in contact with abutment surface 247 of front shoulder 246 of hub 30. At the same time, protrusion 234 sits in first groove 238 with rear surface 299 of outer shield 50 abutting abutment surface 250 of hub 30, and front shoulder 246 contacts surface 287. In this locked position, puncture tip 28 of needle cannula 20 is shielded entirely and securely by outer

shield 50. Two locking interactions are established (abutment face 289 against shoulder 246, and rear surface 299 against surface 250) as seen in FIG. 6 to prevent return movement of outer shield 50 to the retracted position and reexposing of needle cannula 20, while the relative sizes of protrusion 234 and shoulder 246 prevent any possibility of outer shield 50 being pulled forward off of hub 30.

[0045] While the needle assembly of the present invention has been described in terms of one embodiment for use in connection with a blood collection system, it is further contemplated that the needle assembly could be used with other medical procedures, such as in conjunction with a conventional intravenous infusion set, which are well-known in the art for use with needle assemblies.

[0046] While the present invention is satisfied by embodiments in many different forms, there are shown in the drawings and described herein in detail, the preferred embodiments of the invention, with the understanding that the present disclosure is to be considered as exemplary of the principles of the invention and is not intended to limit the invention to the embodiments illustrated. Various other embodiments will be apparent to and readily made by those skilled in the art without departing from the scope and spirit of the invention. The scope of the invention will be measured by the appended claims and their equivalents.

WHAT IS CLAIMED:

1. A needle assembly, comprising:

a needle cannula having a proximal end and a distal end with a puncture tip;

a hub comprising an elongated tubular body having an outer surface, a proximal end, a distal end and a passageway extending through said hub, said distal end of said hub supporting said needle cannula, said hub further comprising a first tab extending outwardly from said proximal end of said tubular body; and

a hollow outer shield comprising a housing having a proximal end, a distal end, a passageway extending from said proximal end to said distal end, and a second tab extending outwardly from said housing, said outer shield co-axially surrounding said distal end of said tubular body of said hub and including an inner surface in cooperating engagement with said outer surface of said tubular body of said hub, said outer shield movable between a retracted position in which said first tab extending from said tubular body is exposed from said proximal end of said outer shield and said puncture tip of said needle cannula is exposed from said distal end of said shield, and an extended position in which said outer shield covers said puncture tip of said needle cannula;

wherein said first tab and said second tab are configured such that opposing forces applied against said first tab and said second tab cause said outer shield to move toward said distal end of said needle cannula from said retracted position to said extended position.

2. A needle assembly as in claim 1, wherein said first tab extends from a bottom portion of said hub and said second tab extends from a top portion of said housing of said outer shield.

3. A needle assembly as in claim 1, wherein said outer shield includes a pair of wing members extending laterally from opposing sides of said housing.

4. A needle assembly as in claim 1, wherein said outer surface of said hub includes a series of grooves and ramps and said inner surface of said outer shield cooperates with said outer surface of said hub, said grooves and ramps providing frictional engagement between said outer shield and said hub.

5. A needle assembly as in claim 4, wherein said housing of said outer shield includes at least one cutaway portion extending through said housing and defining a flexible finger, said at least one flexible finger adapted for outwardly flexing during movement of said outer shield from said retracted position to said extended position.

6. A needle assembly as in claim 1, wherein said proximal end of said hub is adapted for connection to a flexible tube of a blood collection set.

7. A needle assembly as in claim 1, wherein said first and said second tabs include protrusions for frictional engagement with a user's finger and thumb, respectively.

8. A shieldable blood collection set comprising:

a fixture for connecting the blood collection set to a receptacle;

a flexible tube having opposed first and second ends, said first end of said flexible tube being connected to said fixture;

a hub including an elongated tubular body having an outer surface, a proximal end, a distal end and a passageway extending through said hub, said proximal end of said hub mounted to said second end of said flexible tube, said hub further including a first tab extending outwardly from said tubular body at said proximal end of said hub for engagement with a user's finger;

a needle cannula extending from said distal end of said hub, said needle cannula including a proximal end and a distal end having a puncture tip; and

a hollow outer shield comprising a housing having a proximal end, a distal end and a passageway extending therethrough, said outer shield co-axially surrounding said distal end of said tubular body of said hub such that said first tab of said hub is exposed from said proximal end of said outer shield, said outer shield adapted for movement between a retracted position in which said puncture tip of said needle cannula is exposed from said distal end of said shield, and an extended position in which said outer shield covers said puncture tip of said needle cannula, said housing of said outer shield having an inner surface in cooperating engagement with said outer surface of said hub and a second tab extending outwardly from said housing for engagement with a user's thumb;

wherein said first tab and said second tab are configured such that opposing forces applied against said first tab and said second tab cause said outer shield to move toward said distal end of said needle cannula from said retracted position to said extended position.

9. A blood collection set as in claim 8, wherein said first tab includes a ramped surface extending outwardly from said tubular body of said hub at said proximal end of said hub in a direction toward said flexible tube.

10. A blood collection set as in claim 8, wherein said second tab includes a ramped surface extending outwardly from said housing of said outer shield at said proximal end of said outer shield in a direction toward said distal end of said outer shield.

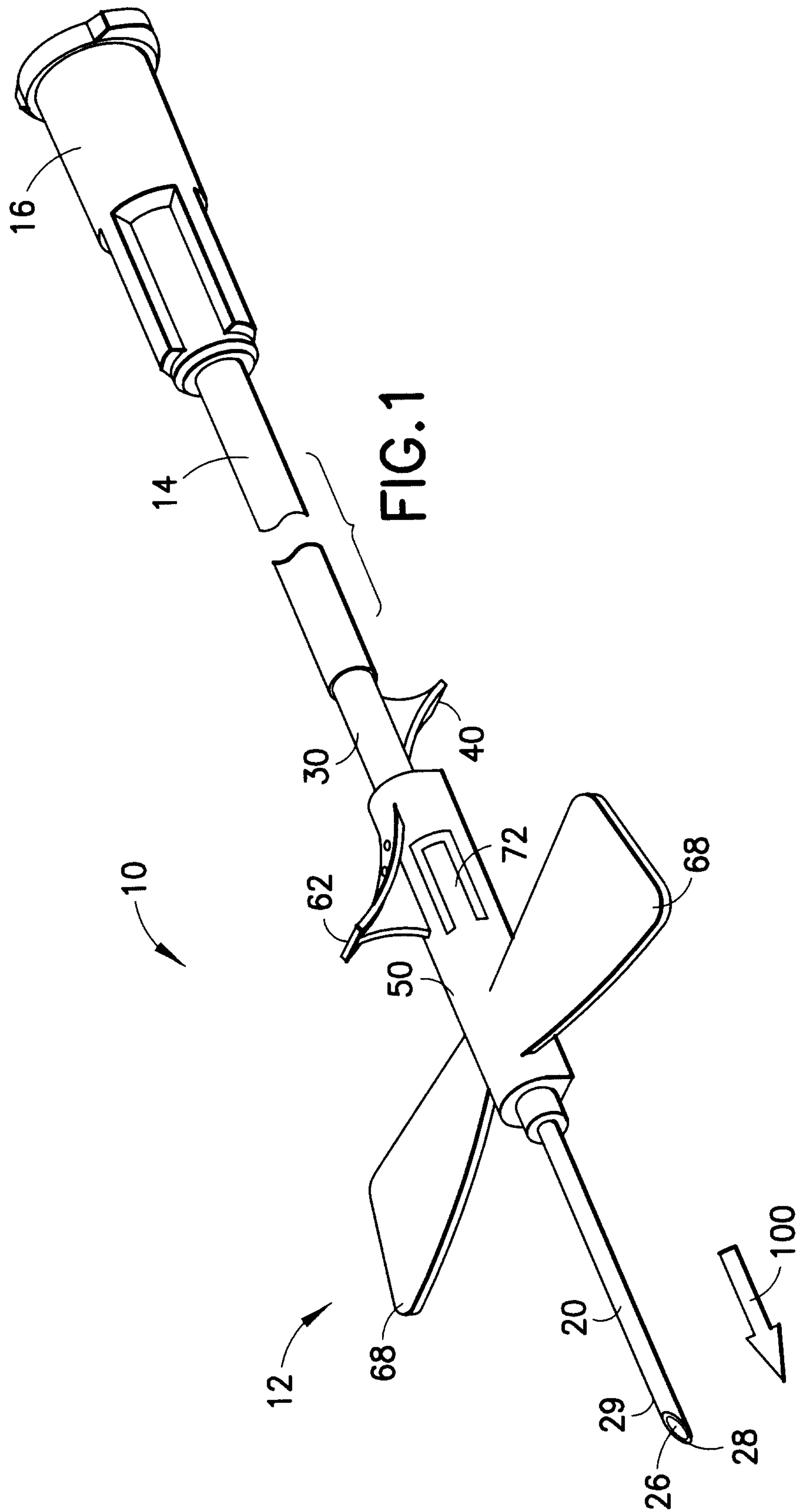
11. A blood collection set as in claim 8, wherein at least one of said first tab and said second tab includes protrusions on a surface of said tab for providing a frictional engagement with a user.

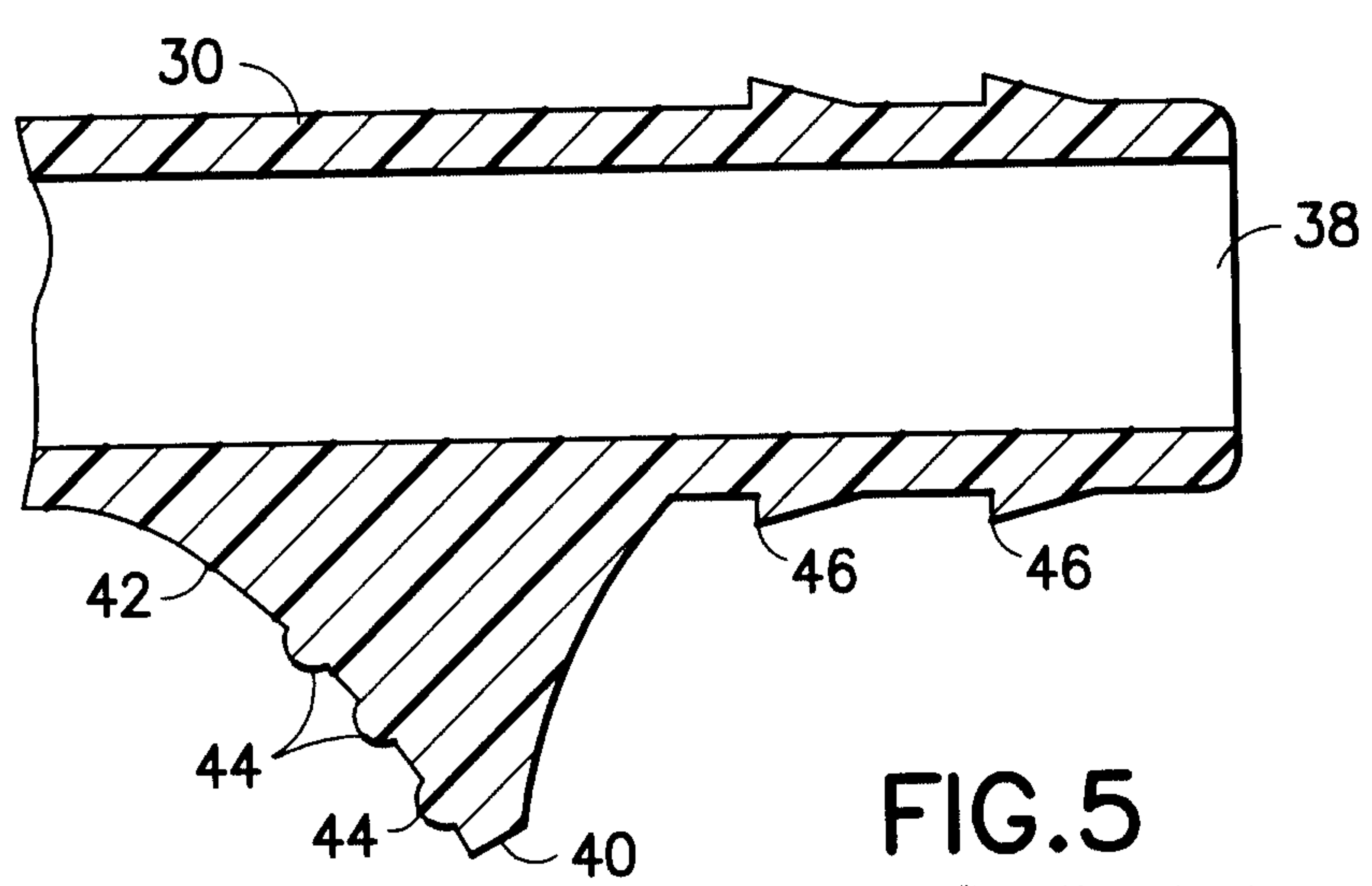
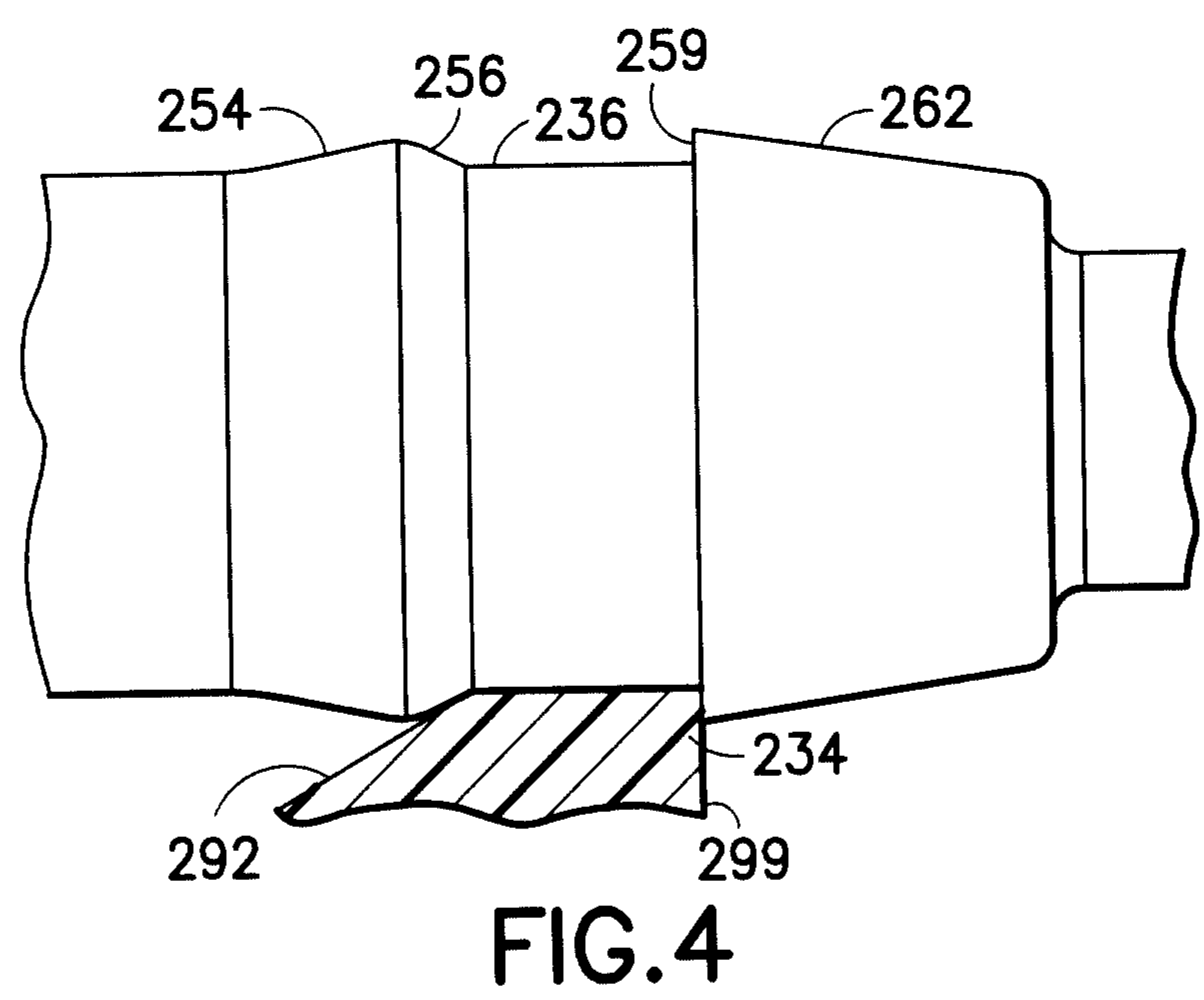
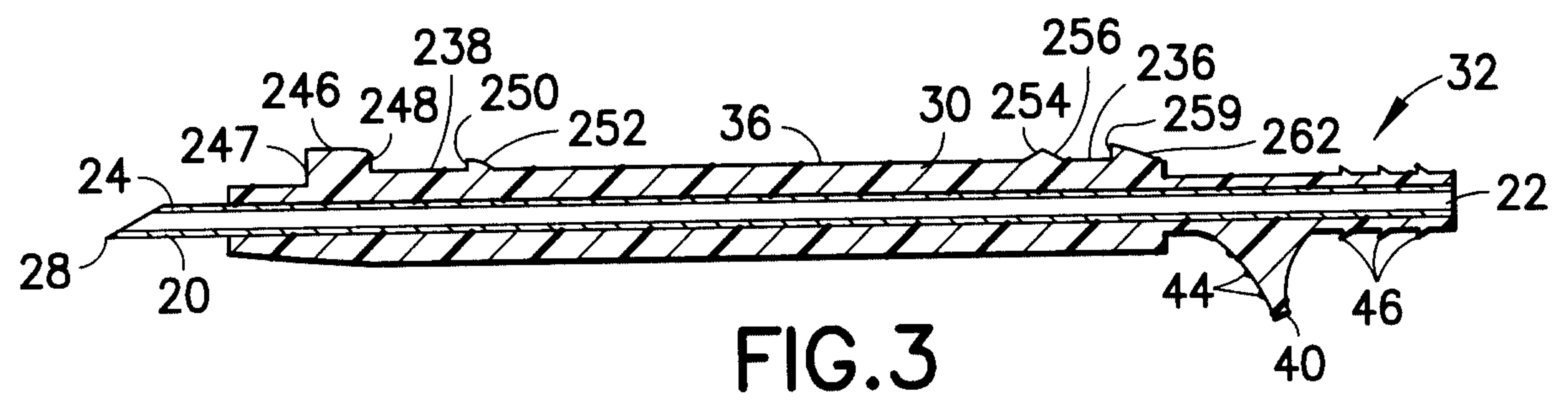
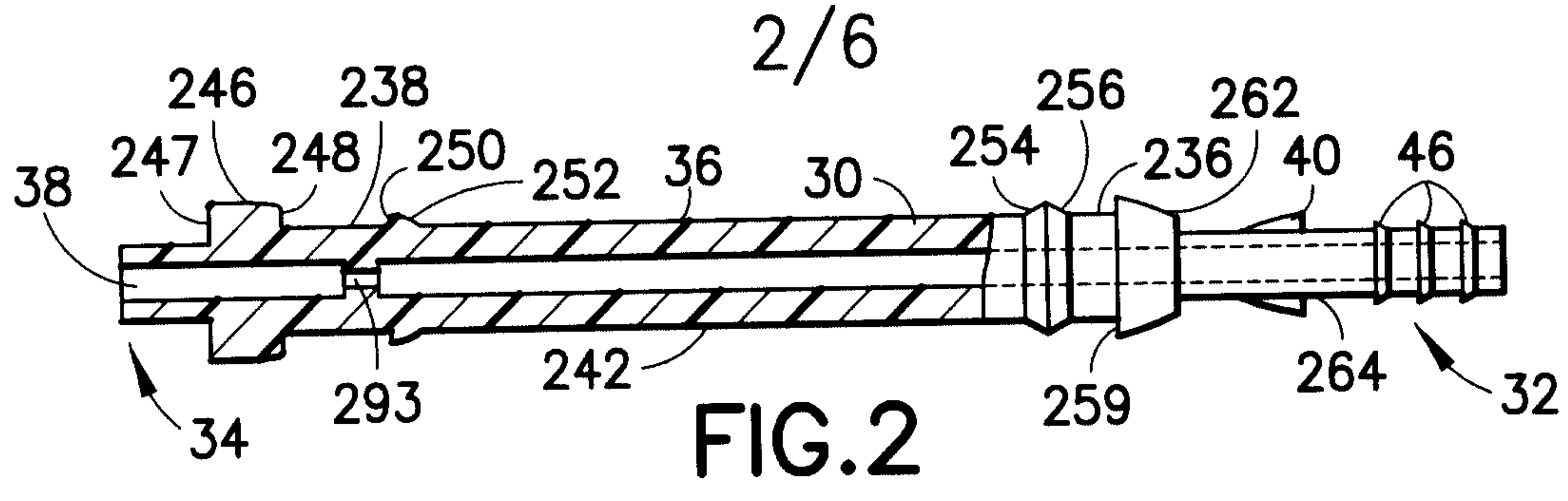
12. A blood collection set as in claim 8, wherein said first tab extends from a bottom portion of said hub and said second tab extends from a top portion of said housing of said outer shield.

13. A blood collection set as in claim 8, wherein said outer shield includes a pair of wing members extending laterally from opposing sides of said housing.

14. A blood collection set as in claim 8, wherein said outer surface of said hub includes a series of grooves and ramps and said inner surface of said outer shield cooperates with said outer surface of said hub, said grooves and ramps providing frictional engagement between said outer shield and said hub.

15. A blood collection set as in claim 14, wherein said housing of said outer shield includes at least one cutaway portion extending through said housing and defining a flexible finger, said at least one flexible finger adapted for outwardly flexing during movement of said outer shield from said retracted position to said extended position.





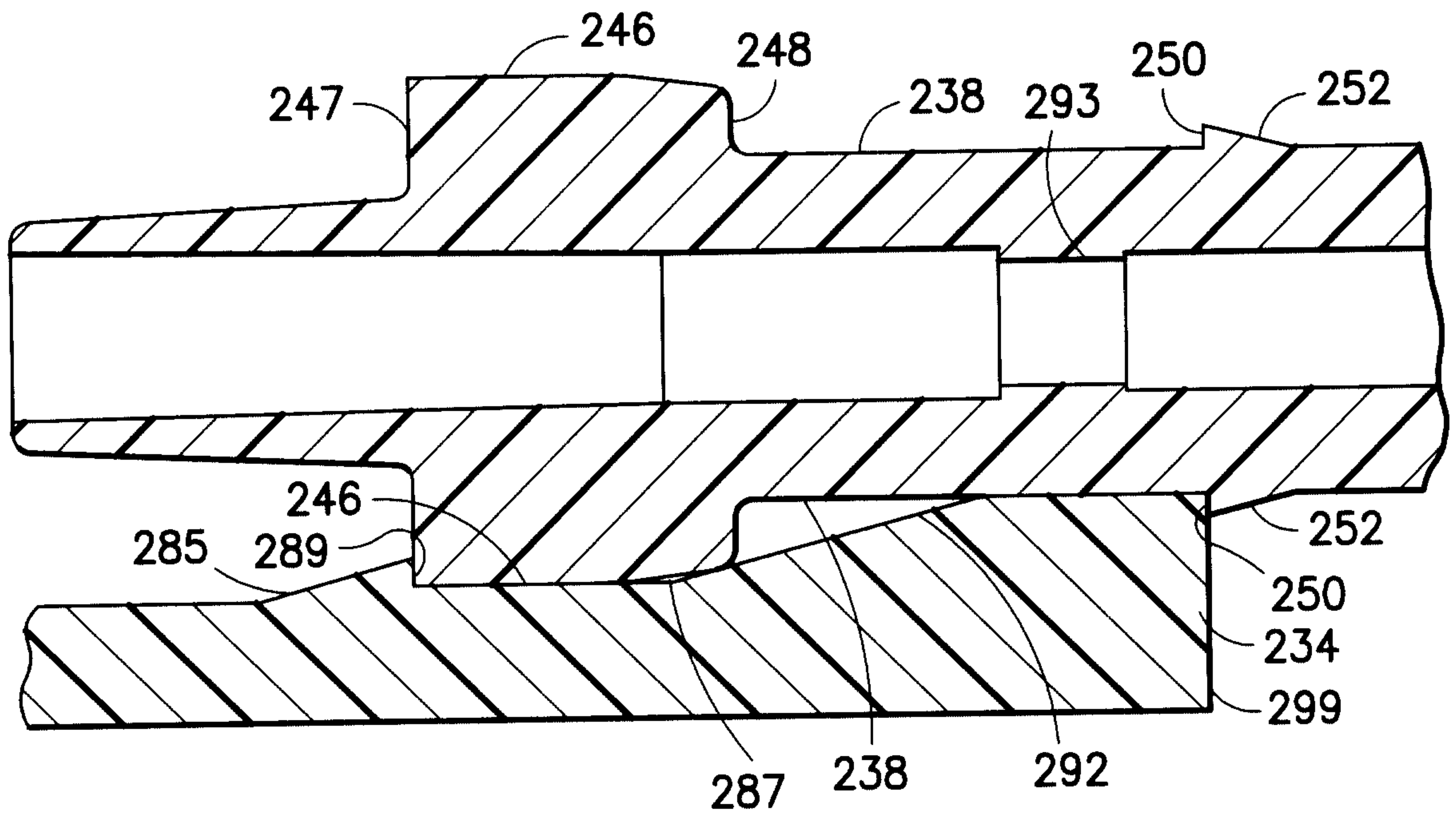


FIG. 6

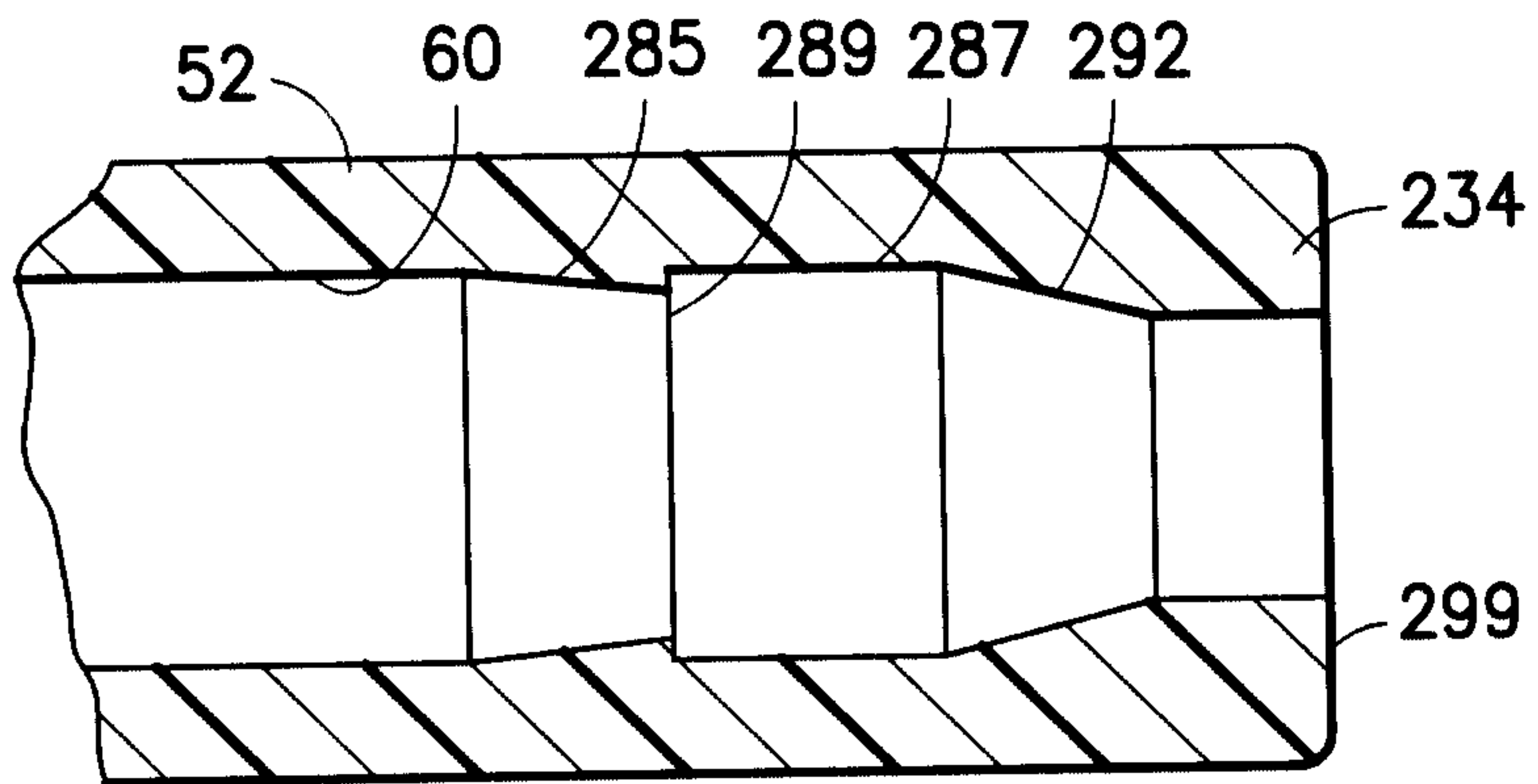


FIG. 9

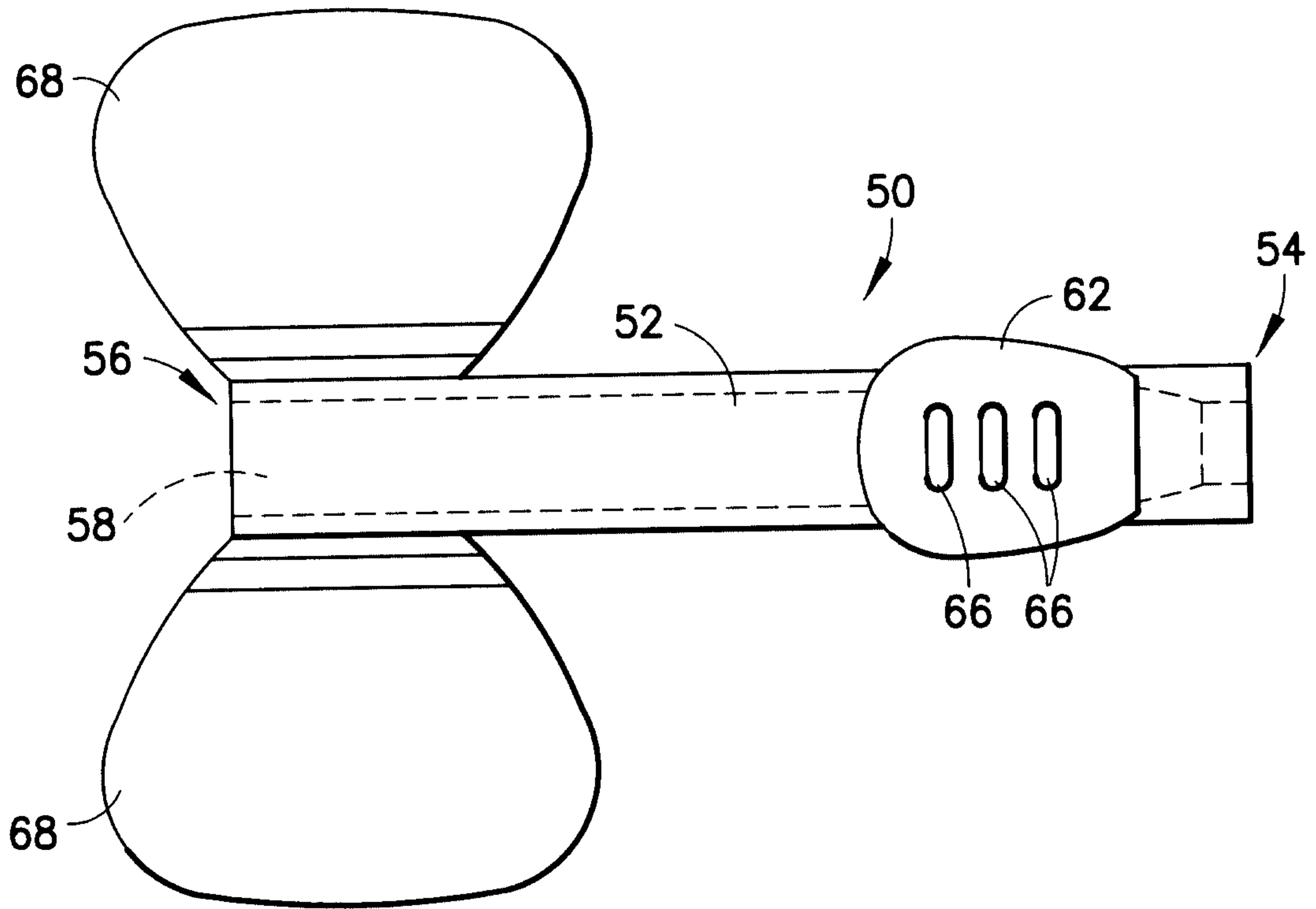


FIG. 7

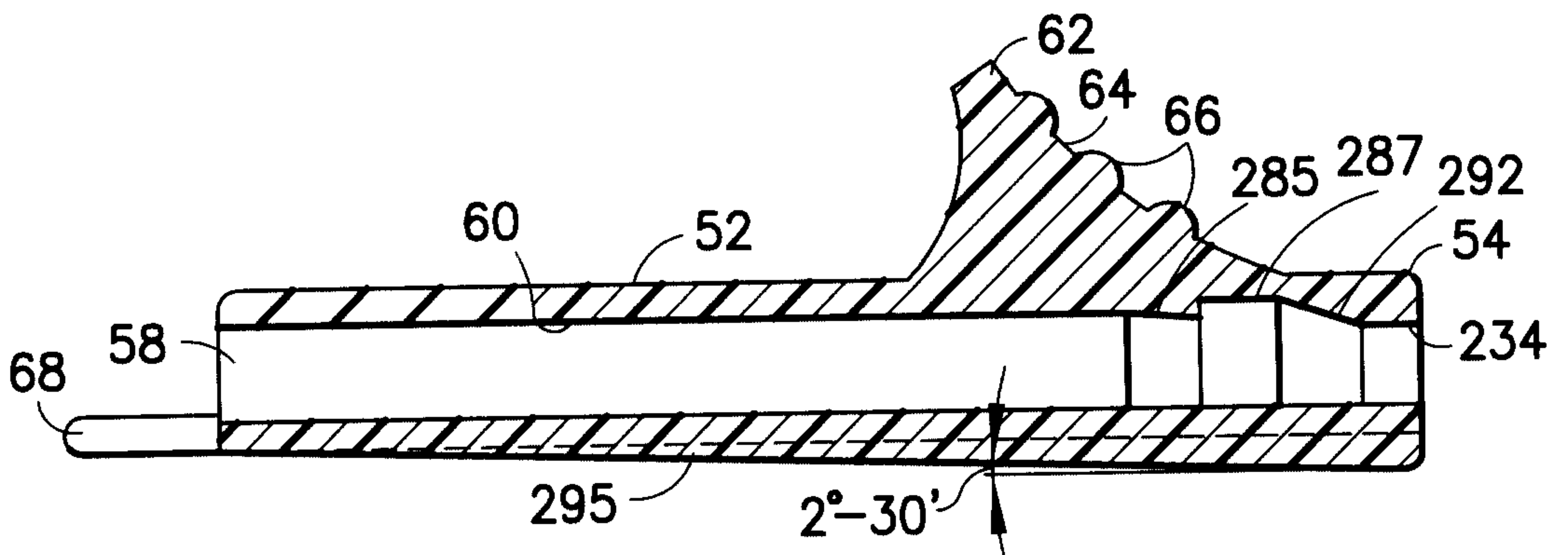


FIG. 8

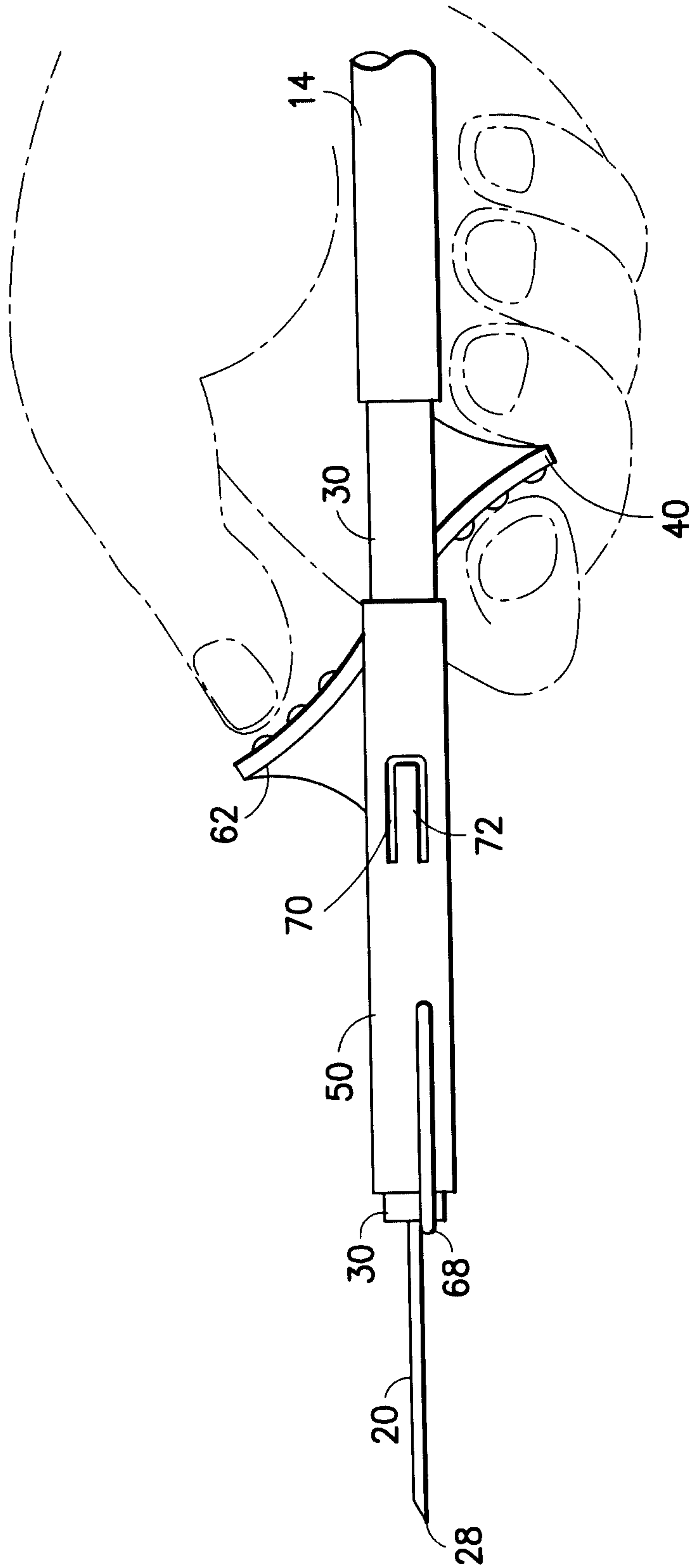


FIG.10

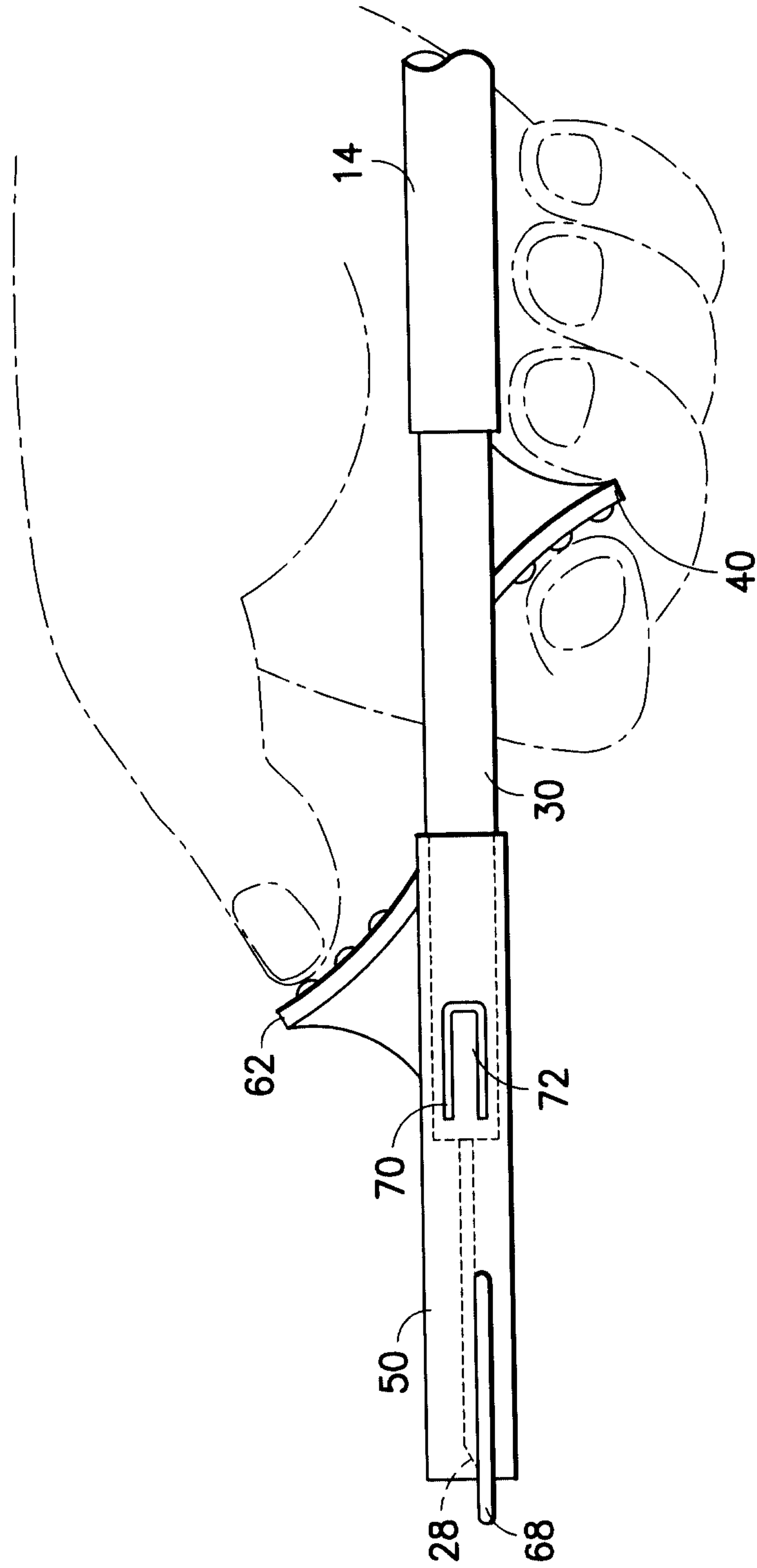


FIG. 11

