



US00D777578S

(12) **United States Design Patent**
Kunst

(10) **Patent No.:** **US D777,578 S**

(45) **Date of Patent:** **** Jan. 31, 2017**

- (54) **BOTTLE**
- (71) Applicant: **PepsiCo, Inc.**, Purchase, NY (US)
- (72) Inventor: **Roland Kunst**, Bucharest (RO)
- (73) Assignee: **PepsiCo, Inc.**, Purchase, NY (US)
- (**) Term: **15 Years**
- (21) Appl. No.: **29/546,545**

D522,873	S	*	6/2006	Forget	D9/557	X
D527,265	S	*	8/2006	Brandt	D9/516	
D568,754	S	*	5/2008	Sequeira	D9/565	X
D570,701	S	*	6/2008	Miller	D9/556	X
D594,344	S	*	6/2009	Walsh	D9/565	X
D600,559	S	*	9/2009	Lepoitevin	D9/557	X
D602,782	S	*	10/2009	Lepoitevin	D9/538	X
D603,711	S	*	11/2009	Lepoitevin	D9/557	X
D604,169	S	*	11/2009	Melossi	D9/538	
D662,824	S	*	7/2012	Perez	D9/516	
D677,574	S	*	3/2013	Barnard	D9/571	X
D677,575	S	*	3/2013	Barnard	D9/571	X
D699,114	S	*	2/2014	Fleischhacker	D9/516	
D699,580	S	*	2/2014	Eaton	D9/537	X

* cited by examiner

- (22) Filed: **Nov. 23, 2015**
- (51) **LOC (10) Cl.** **09-01**
- (52) **U.S. Cl.**
USPC **D9/538**; D9/552; D9/557
- (58) **Field of Classification Search**
USPC D9/682, 686-687, 689, 691-694,
725,D9/763, 772-773, 775, 779, 516,
519,D9/521-522, 526, 529-530,
537-543,D9/549-550, 552, 226, 559-561,
565, 571,D9/574-575; 215/379, 381-385;
220/660, 669, 220/675

See application file for complete search history.

Primary Examiner — Carol P Rademaker
(74) *Attorney, Agent, or Firm* — Sterne, Kessler,
Goldstein & Fox P.L.L.C.

(57) **CLAIM**

The ornamental design for a bottle, as shown and described.

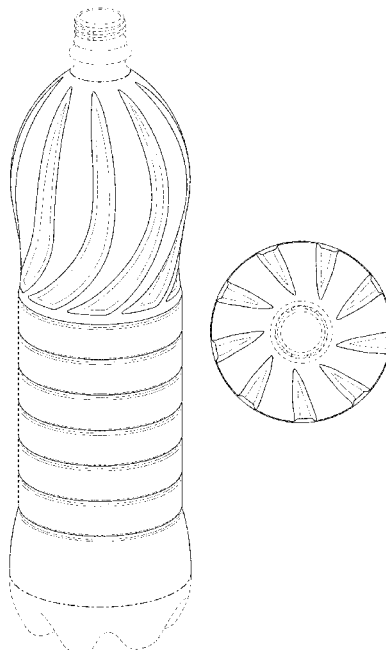
DESCRIPTION

FIG. 1 is a top front perspective view of a bottle showing the claimed design;
 FIG. 2 is a front view thereof;
 FIG. 3 is a rear view thereof;
 FIG. 4 is a left side view thereof;
 FIG. 5 is a right side view thereof;
 FIG. 6 is a top view thereof; and,
 FIG. 7 is a bottom view thereof.
 The dashed broken lines in the figures show portions of the bottle that form no part of the claimed design.
 The dot-dash broken lines in the figures show boundaries that form no part of the claimed design.

(56) **References Cited**
U.S. PATENT DOCUMENTS

D101,483	S	*	10/1936	Mott	D9/537	
D162,254	S	*	2/1951	Steuer	D9/552	X
D212,276	S	*	9/1968	Lodding et al.	D9/538	
D305,984	S	*	2/1990	Alberghini	D9/552	X
D358,547	S	*	5/1995	Darr	D9/552	X
D406,065	S	*	2/1999	Cheng	D9/552	X
D429,156	S	*	8/2000	Williams	D9/538	X
D432,019	S	*	10/2000	Steward	D9/538	X
D443,519	S	*	6/2001	Warner	D9/538	
D462,013	S	*	8/2002	Iizuka	D9/538	
D474,977	S	*	5/2003	Yourist	D9/557	X

1 Claim, 6 Drawing Sheets



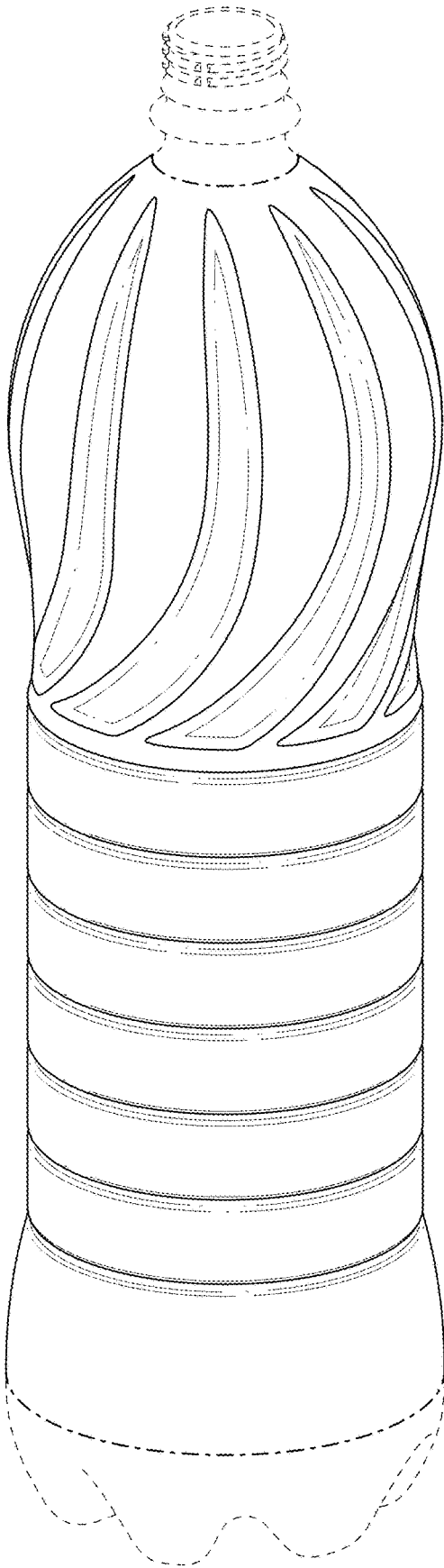


FIG. 1

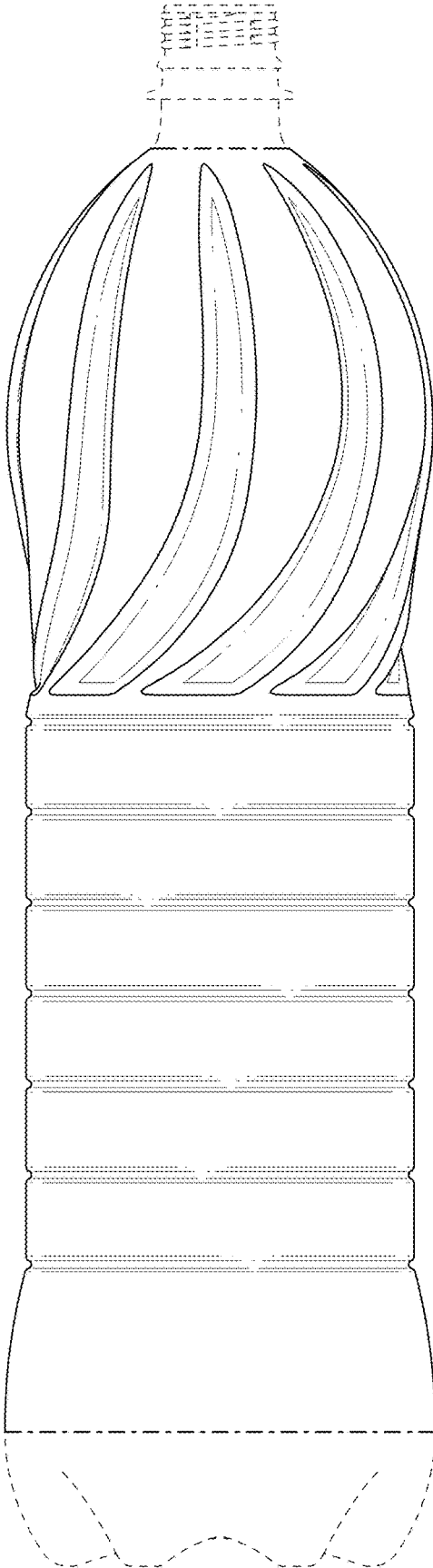


FIG. 2

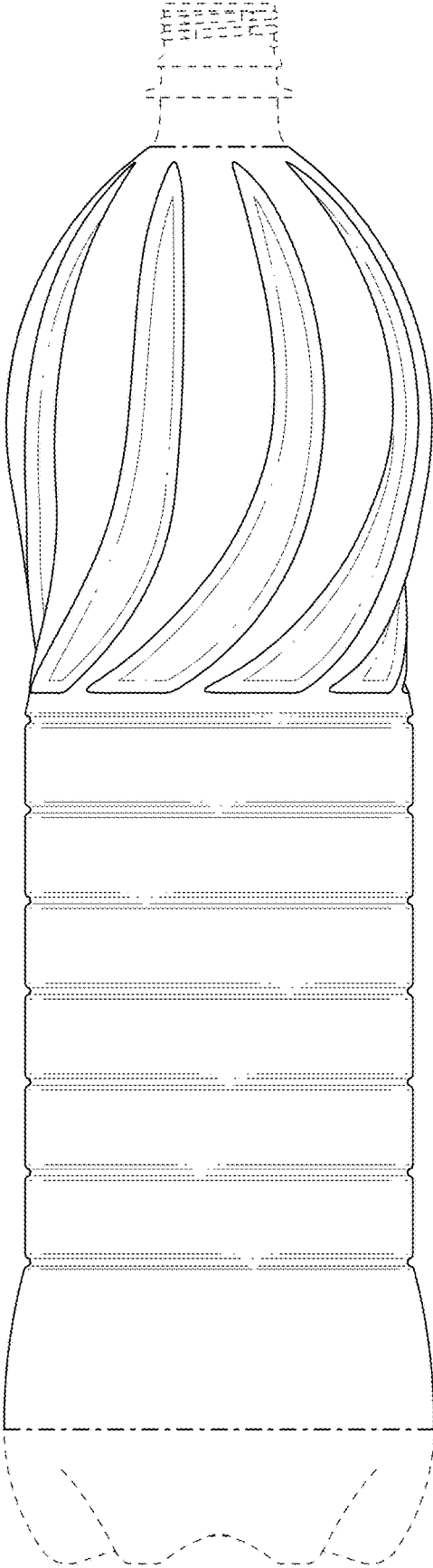


FIG. 3

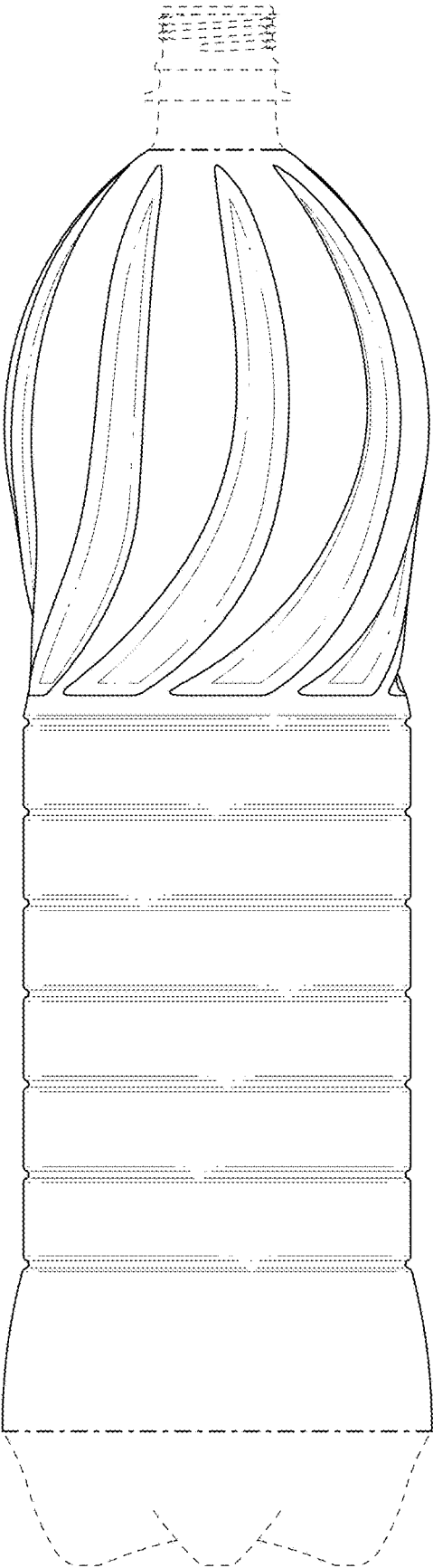


FIG. 4

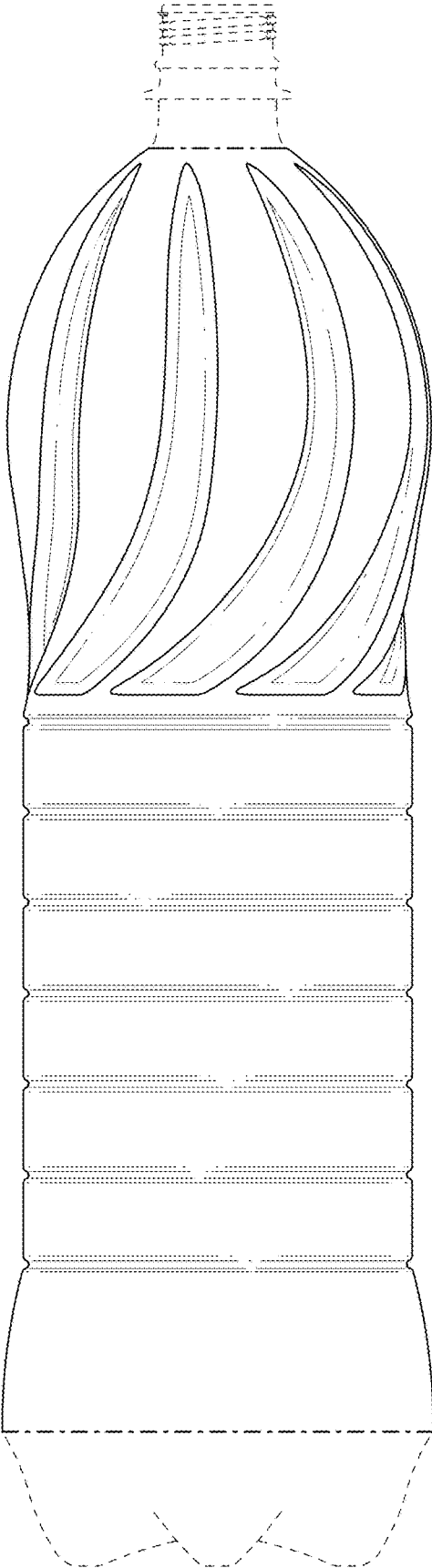


FIG. 5

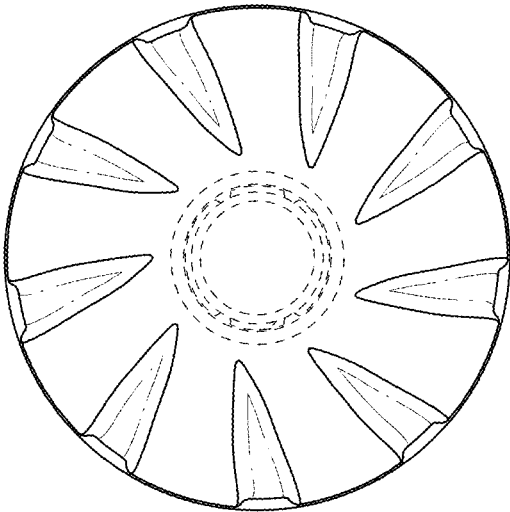


FIG. 6

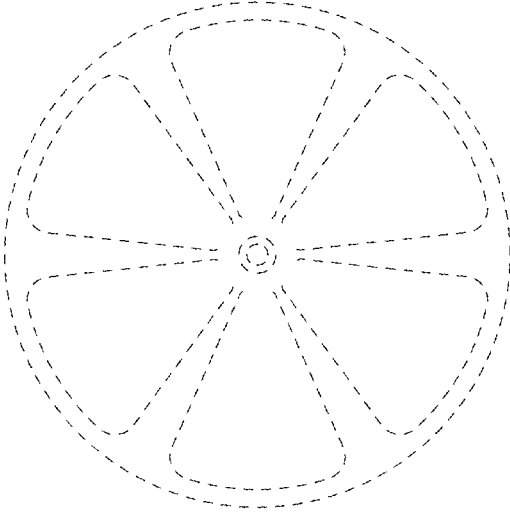


FIG. 7