



US00D756877S

(12) **United States Design Patent**  
**Huang**

(10) **Patent No.:** **US D756,877 S**

(45) **Date of Patent:** **\*\* May 24, 2016**

(54) **VEHICLE WHEEL**

(71) Applicant: **Tai Chung Huang**, Taoyuan (TW)

(72) Inventor: **Tai Chung Huang**, Taoyuan (TW)

(\*\*) Term: **14 Years**

(21) Appl. No.: **29/520,481**

(22) Filed: **Mar. 14, 2015**

(51) **LOC (10) Cl.** ..... **12-16**

(52) **U.S. Cl.**  
USPC ..... **D12/209**

(58) **Field of Classification Search**  
USPC ..... D12/204–213  
CPC ..... B60B 7/00; B60B 7/02; B60B 7/04;  
B60B 7/01; B60B 7/06; B60B 3/02; B60B  
3/04; B60B 3/06; B60B 3/10; B60B 1/00;  
B60B 1/08; B60B 1/10; B60B 1/12  
See application file for complete search history.

(56) **References Cited**

**U.S. PATENT DOCUMENTS**

- D393,442 S \* 4/1998 Noriega ..... D12/209
- D408,344 S \* 4/1999 Kelley ..... D12/209

- D533,496 S \* 12/2006 Bogani et al. .... D12/209
- D549,632 S \* 8/2007 Sands ..... D12/209
- D567,166 S \* 4/2008 Bogani ..... D12/209
- D609,624 S \* 2/2010 Matsubara ..... D12/211
- D688,190 S \* 8/2013 Hodges ..... D12/211
- D701,813 S \* 4/2014 Kern ..... D12/211
- D717,711 S \* 11/2014 Kern ..... D12/211
- D725,569 S \* 3/2015 Komukai ..... D12/209
- D726,089 S \* 4/2015 Hodges ..... D12/211

\* cited by examiner

*Primary Examiner* — Stacia Cadmus

(74) *Attorney, Agent, or Firm* — Che-Yang Chen; Law Offices of Scott Warmuth

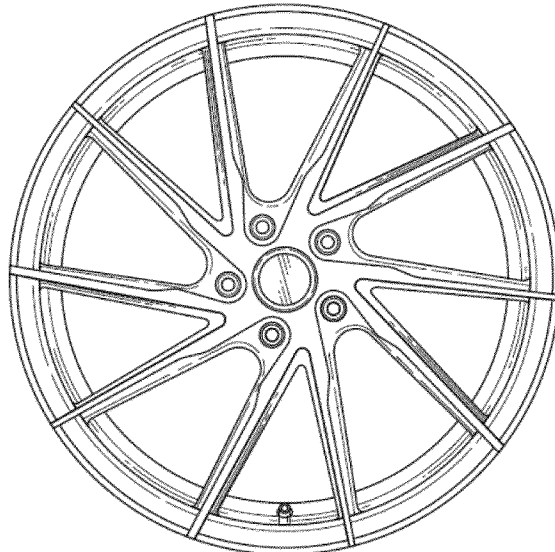
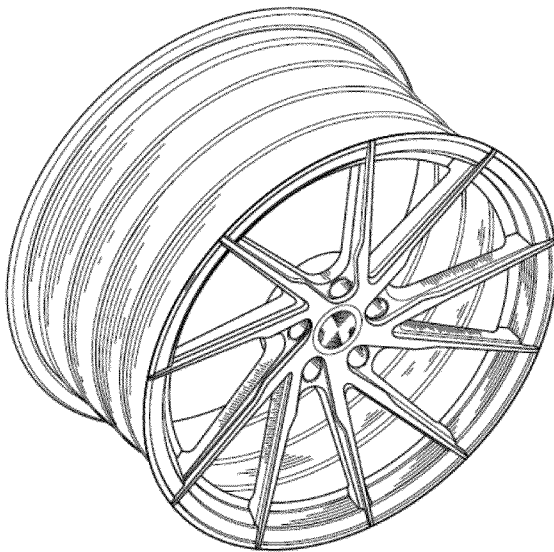
(57) **CLAIM**

The ornamental design for a vehicle wheel, as shown and described.

**DESCRIPTION**

FIG. 1 is a perspective view of the vehicle wheel showing my new design;  
FIG. 2 is a front elevational view thereof;  
FIG. 3 is a side view thereof; and,  
FIG. 4 is a top plan view thereof.

**1 Claim, 2 Drawing Sheets**



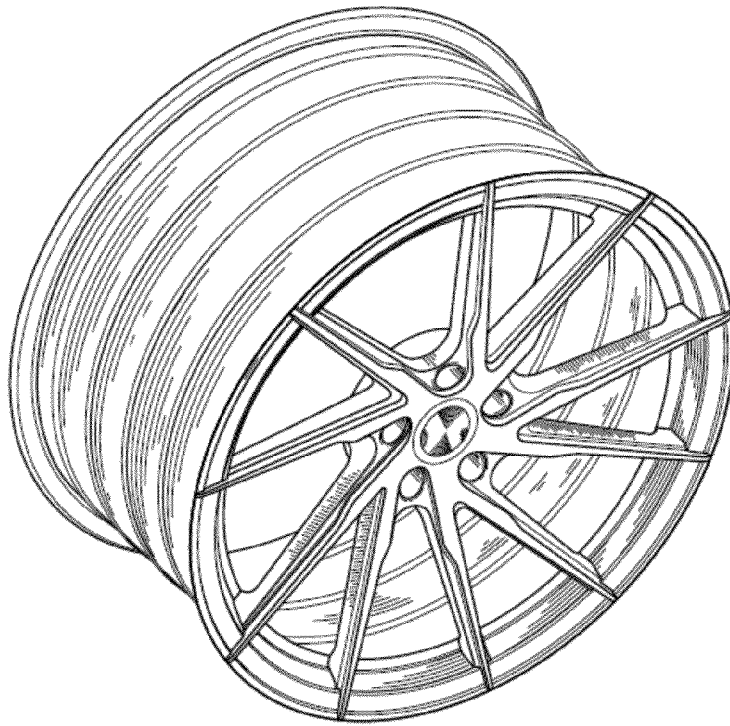


FIG. 1

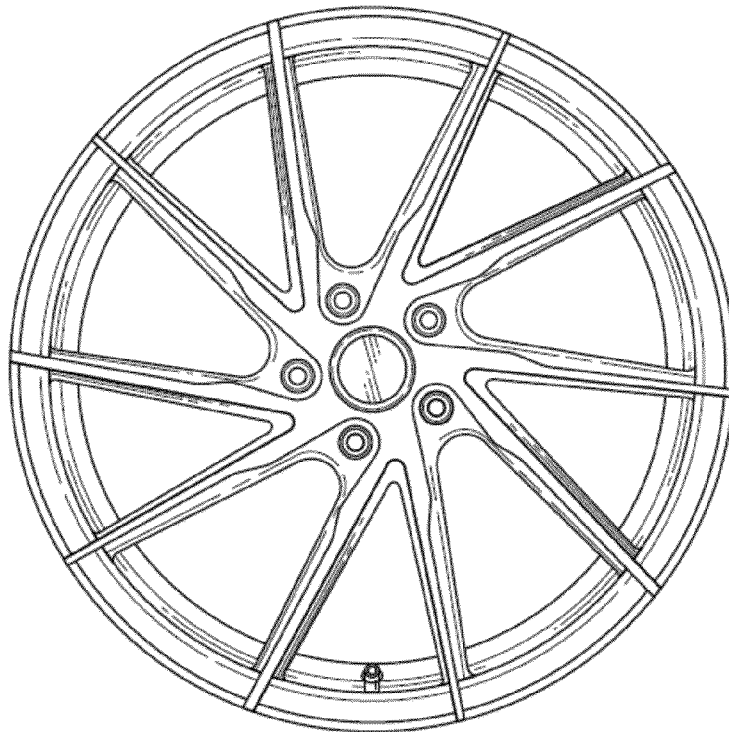


FIG. 2

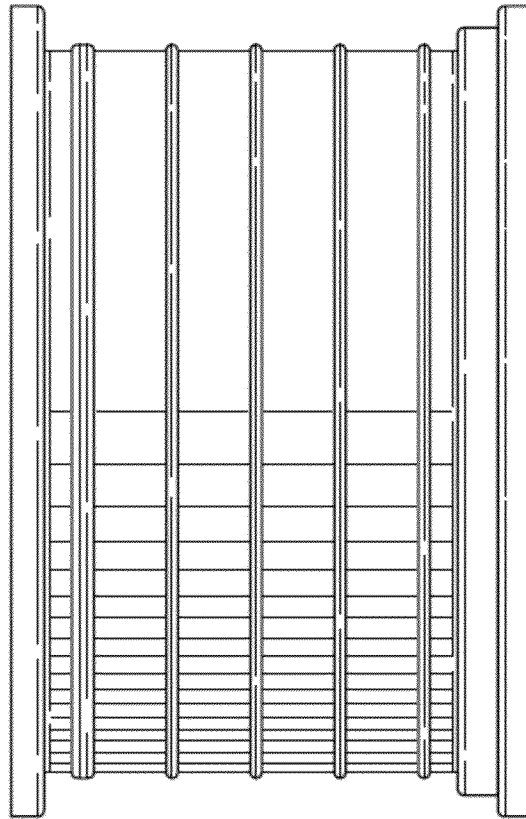


FIG. 3

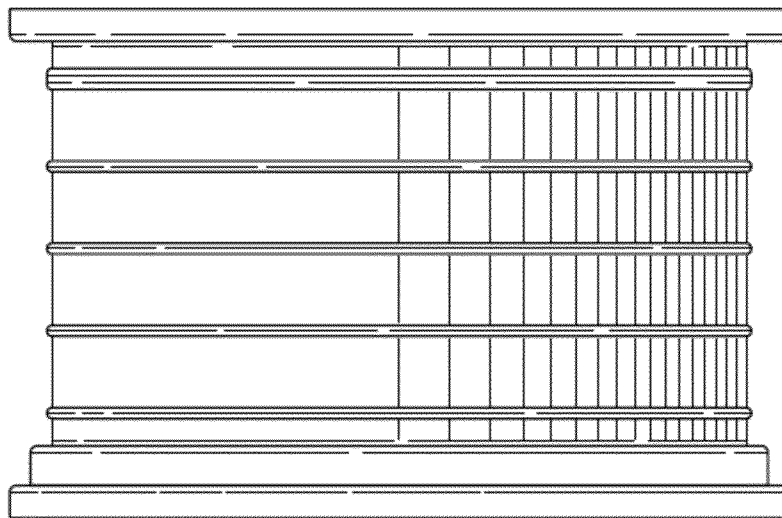


FIG. 4