



US00D726797S

(12) **United States Design Patent**  
**Ham et al.**

(10) **Patent No.:** **US D726,797 S**

(45) **Date of Patent:** **\*\* Apr. 14, 2015**

- (54) **DIGITAL CAMERA**
- (71) Applicant: **Samsung Electronics Co., Ltd.**,  
Suwon-si (KR)
- (72) Inventors: **Min-Ki Ham**, Seoul (KR); **Seung-Ho Jang**, Seongnam-si (KR)
- (73) Assignee: **Samsung Electronics Co., Ltd.**,  
Suwon-si (KR)
- (\*\*) Term: **14 Years**
- (21) Appl. No.: **29/471,984**
- (22) Filed: **Nov. 7, 2013**
- (30) **Foreign Application Priority Data**  
May 7, 2013 (KR) ..... 30-2013-0024184
- (51) **LOC (10) Cl.** ..... **16-01**
- (52) **U.S. Cl.**  
USPC ..... **D16/202**
- (58) **Field of Classification Search**  
CPC ..... G03B 15/03; G03B 17/02; G03B 17/04;  
G03B 17/56; G03B 19/04; H04N 5/2251;  
H04N 5/2252; H04N 5/2253; H04N 5/2254;  
H04N 2101/00  
USPC ..... D16/200, 202-206, 208, 217, 218, 219;  
348/340, 373-376; 396/89, 176-178,  
396/535, 539-541  
See application file for complete search history.

8,199,245 B2 *	6/2012	Sato	.....	348/340
D671,583 S *	11/2012	Sakai	.....	D16/202
8,326,138 B2 *	12/2012	Yoshii et al.	.....	396/89
D690,755 S *	10/2013	Nikaido	.....	D16/202
D698,840 S *	2/2014	Nakamura et al.	.....	D16/202
2013/0093946 A1 *	4/2013	Nakagawa	.....	348/374

\* cited by examiner

*Primary Examiner* — Adir Aronovich  
*Assistant Examiner* — Ramzi Almatrahi  
(74) *Attorney, Agent, or Firm* — NSIP Law

(57) **CLAIM**

The ornamental design for a digital camera, as shown and described.

**DESCRIPTION**

FIG. 1 is a front perspective view of a digital camera showing our new design;  
 FIG. 2 is a front view thereof;  
 FIG. 3 is a rear view thereof;  
 FIG. 4 is a left-side view thereof;  
 FIG. 5 is a right-side view thereof;  
 FIG. 6 is a top view thereof;  
 FIG. 7 is a bottom view thereof;  
 FIG. 8 is an enlarged view of an encircled portion as shown in FIG. 1;  
 FIG. 9 is an enlarged view of another encircled portion as shown in FIG. 1;  
 FIG. 10 is an enlarged view of the encircled portion as shown in FIG. 3;  
 FIG. 11 is an enlarged view of the encircled portion as shown in FIG. 5;  
 FIG. 12 is an enlarged view of an encircled portion as shown in FIG. 6; and,  
 FIG. 13 is an enlarged view of another encircled portion, as shown in FIG. 6.

The broken lines depict portions of the digital camera in which the design is embodied and form no part of the claimed design.

The dot-dash encircling portions are illustrated to show enlargements and form no part of the claimed design.

**1 Claim, 11 Drawing Sheets**

(56) **References Cited**

U.S. PATENT DOCUMENTS

D559,291 S *	1/2008	Hayashi	.....	D16/202
D560,239 S *	1/2008	Kim et al.	.....	D16/202
D561,806 S *	2/2008	Funakoshi et al.	.....	D16/217
D567,835 S *	4/2008	Sumita	.....	D16/206
D594,892 S *	6/2009	Kamiya et al.	.....	D16/202
D609,730 S *	2/2010	Nakamura	.....	D16/202
D611,977 S *	3/2010	Kim et al.	.....	D16/202
D620,036 S *	7/2010	Obata	.....	D16/202
D639,325 S *	6/2011	Yamauchi et al.	.....	D16/202

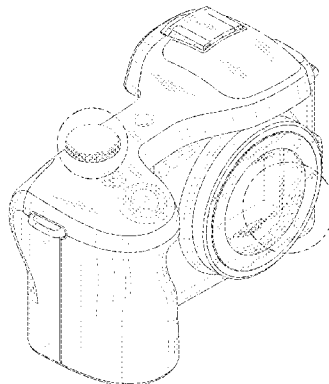


FIG. 1

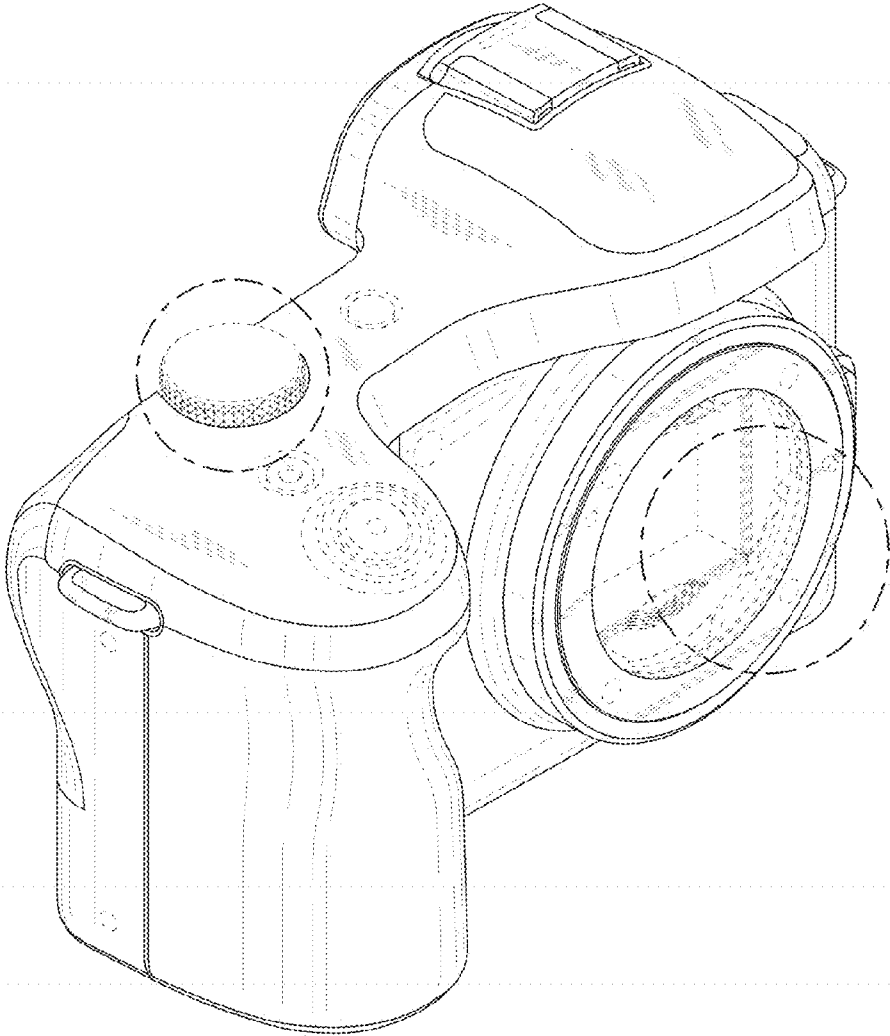


FIG.2

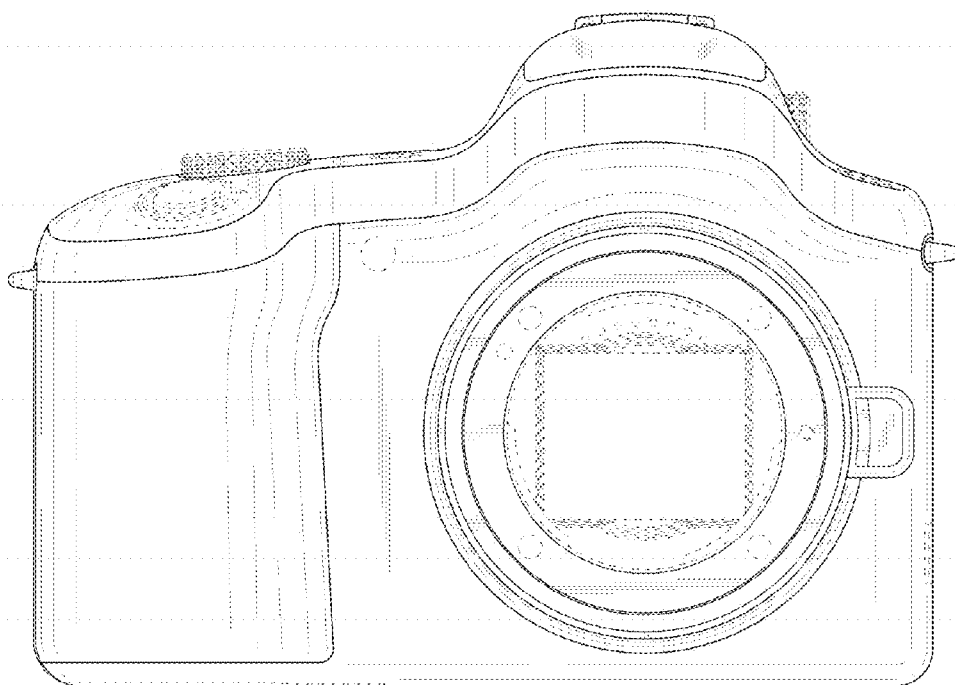


FIG.3

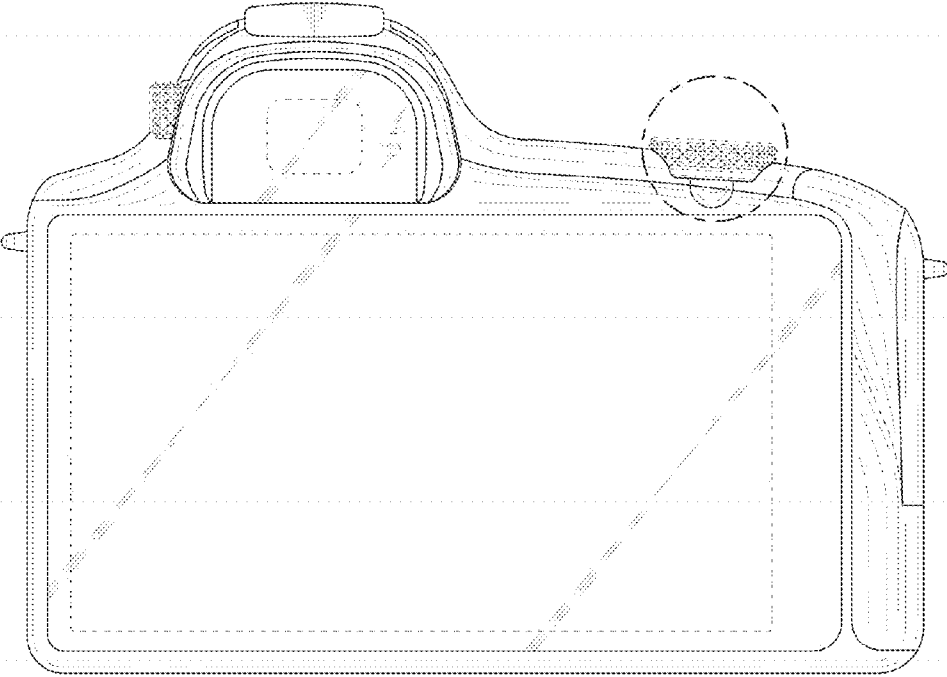


FIG. 4

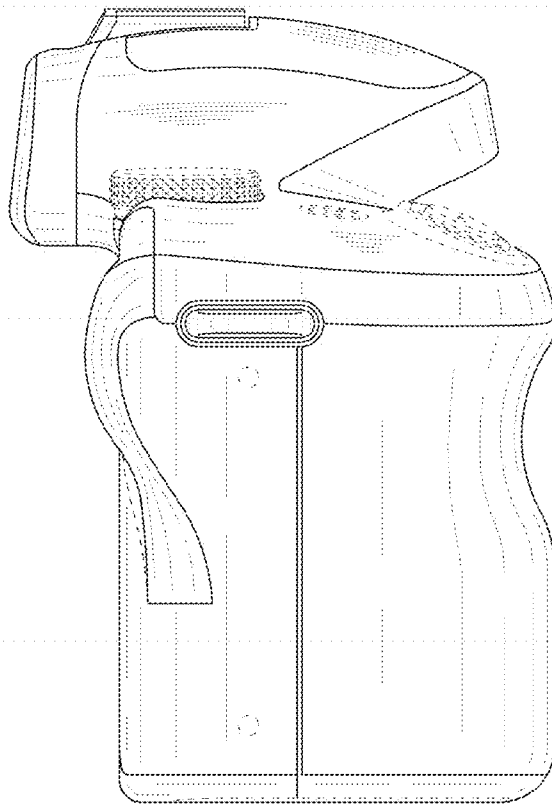


FIG.5

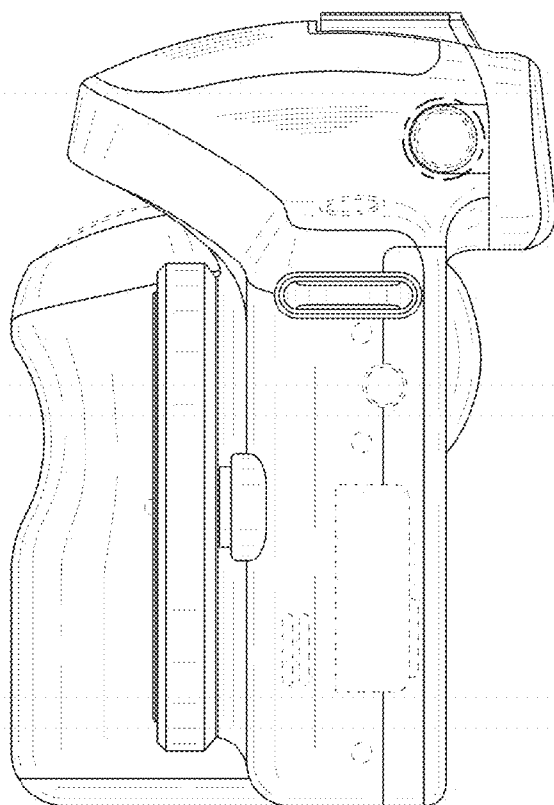


FIG.6

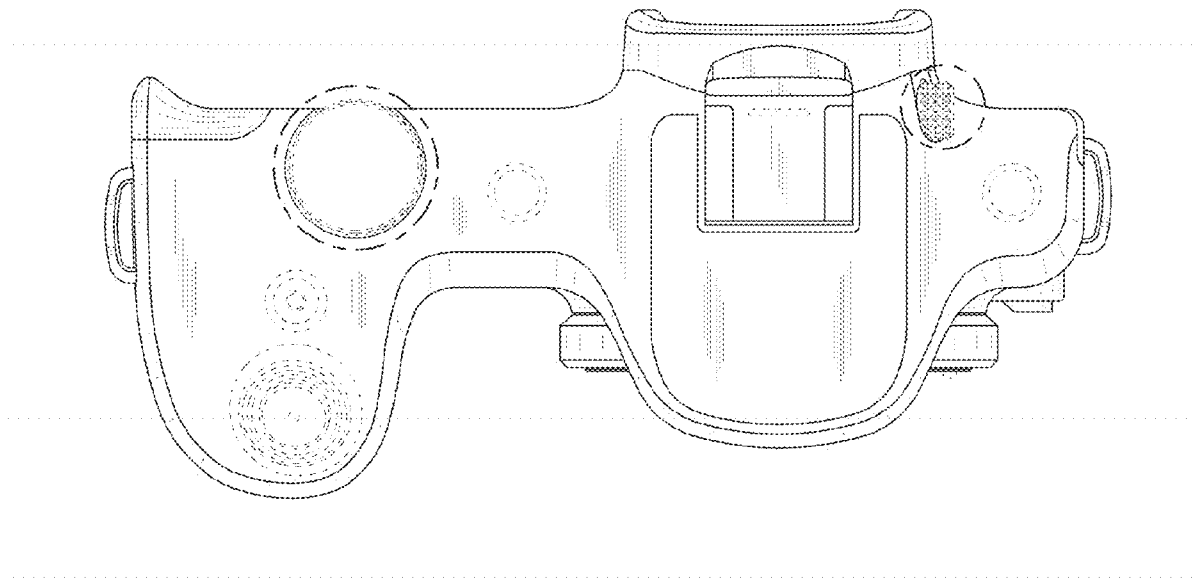


FIG. 7

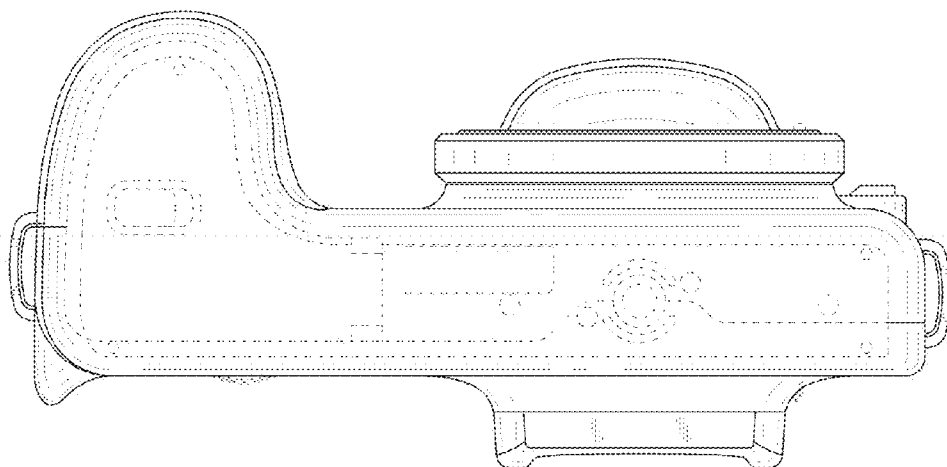


FIG.8

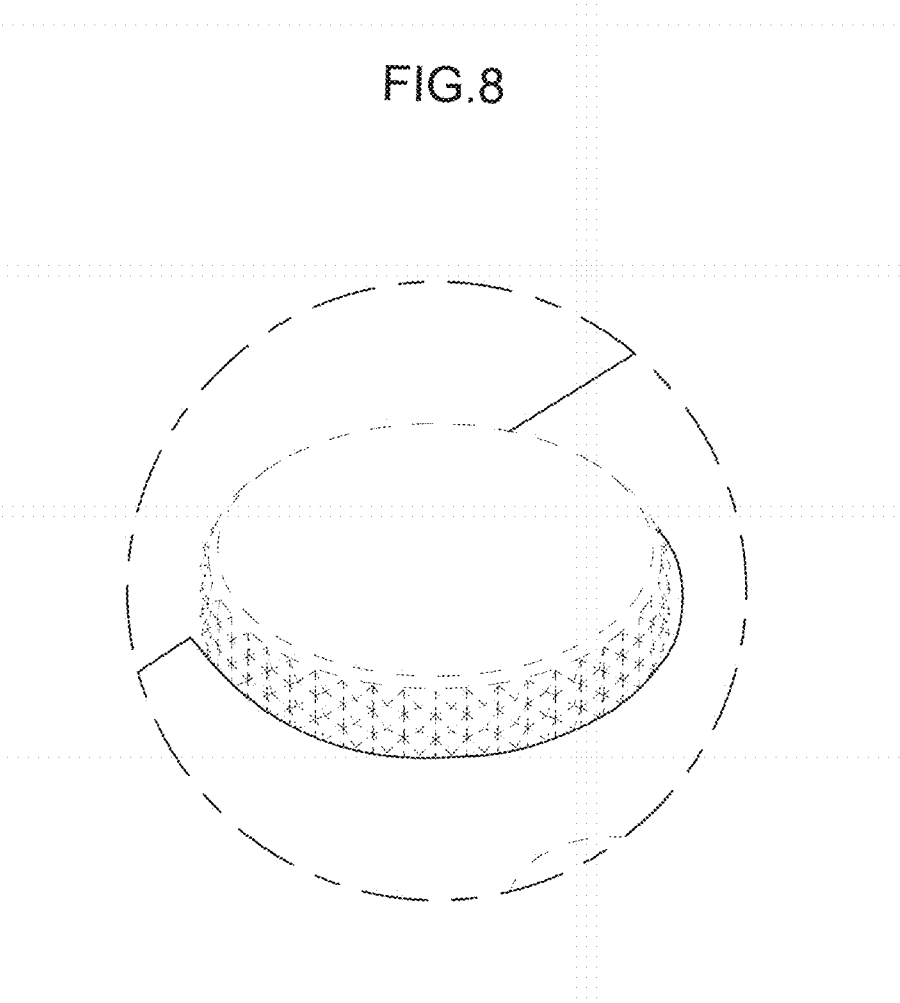


FIG.9

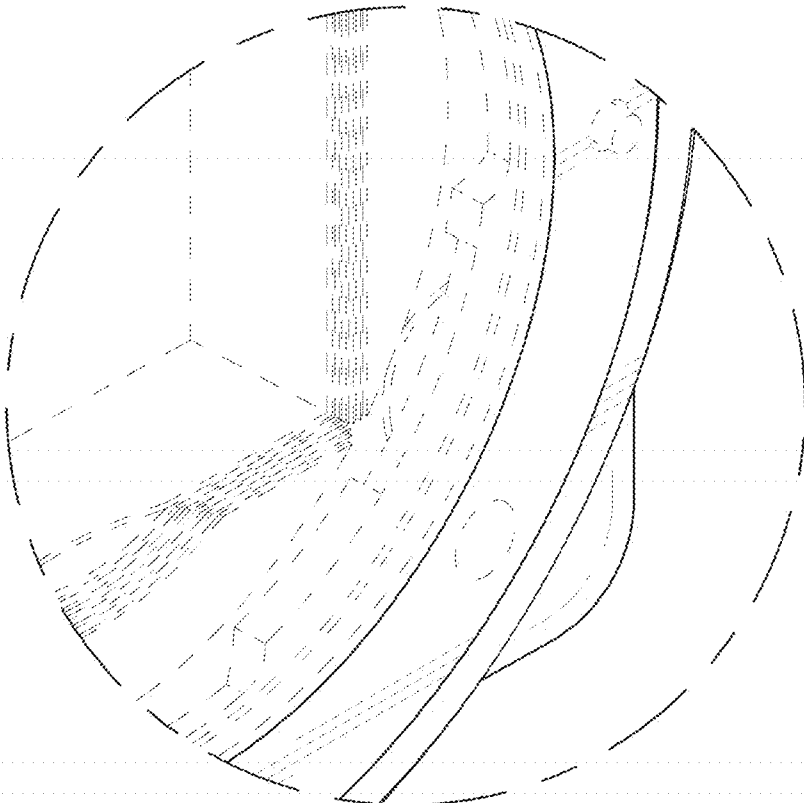


FIG.10

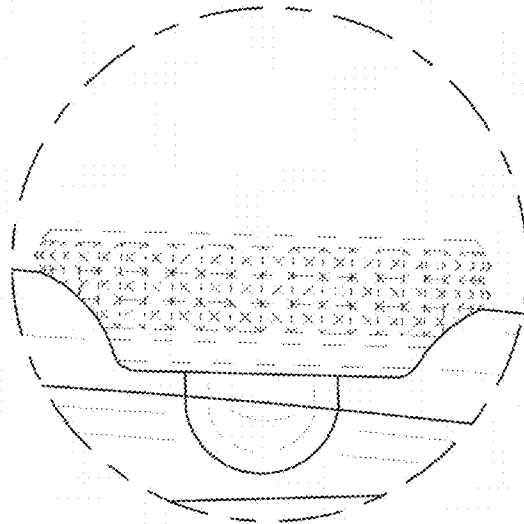


FIG.11

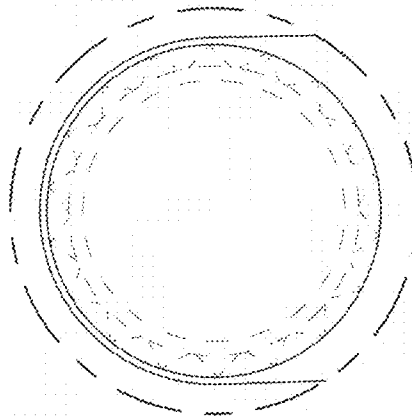


FIG.12

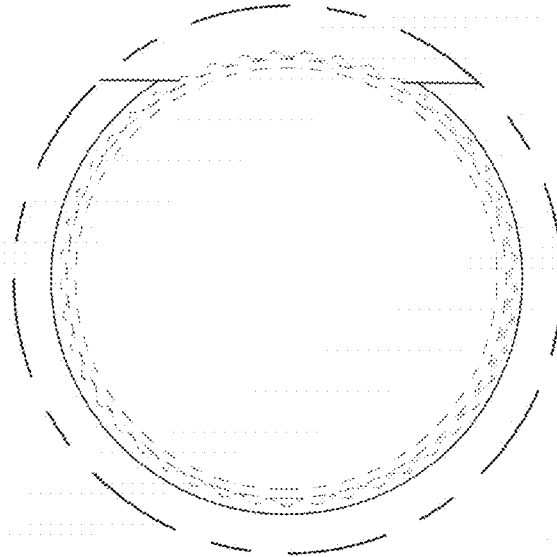


FIG.13

