



(43) International Publication Date
9 August 2012 (09.08.2012)

- (51) International Patent Classification:
G06F 13/14 (2006.01) *G06F 13/16* (2006.01)
- (21) International Application Number:
PCT/KR2012/000782
- (22) International Filing Date:
1 February 2012 (01.02.2012)
- (25) Filing Language: English
- (26) Publication Language: English
- (30) Priority Data:
13/018,501 1 February 2011 (01.02.2011) US
- (71) Applicant (for all designated States except US): **TAEJIN INFO TECH CO., LTD.** [KR/KR]; 2F Namkyung Bldg., 37 Seobinggo-Dong, Yongsan-Ku, Seoul 140-240 (KR).
- (72) Inventor; and
- (75) Inventor/Applicant (for US only): **CHO, Byungcheol** [KR/KR]; 2F Hojeo-Villa, #12-75, Bangbae-dong, Seocho-gu, Seoul 137-814 (KR).
- (74) Agents: **SUH, Kyung Min** et al.; 8th Floor, Sebang Main B/D, 708-8, Yeoksam 2-dong, Gangnam-gu, Seoul 135-919 (KR).
- (81) Designated States (unless otherwise indicated, for every kind of national protection available): AE, AG, AL, AM, AO, AT, AU, AZ, BA, BB, BG, BH, BR, BW, BY, BZ,

CA, CH, CL, CN, CO, CR, CU, CZ, DE, DK, DM, DO, DZ, EC, EE, EG, ES, FI, GB, GD, GE, GH, GM, GT, HN, HR, HU, ID, IL, IN, IS, JP, KE, KG, KM, KN, KP, KR, KZ, LA, LC, LK, LR, LS, LT, LU, LY, MA, MD, ME, MG, MK, MN, MW, MX, MY, MZ, NA, NG, NI, NO, NZ, OM, PE, PG, PH, PL, PT, QA, RO, RS, RU, RW, SC, SD, SE, SG, SK, SL, SM, ST, SV, SY, TH, TJ, TM, TN, TR, TT, TZ, UA, UG, US, UZ, VC, VN, ZA, ZM, ZW.

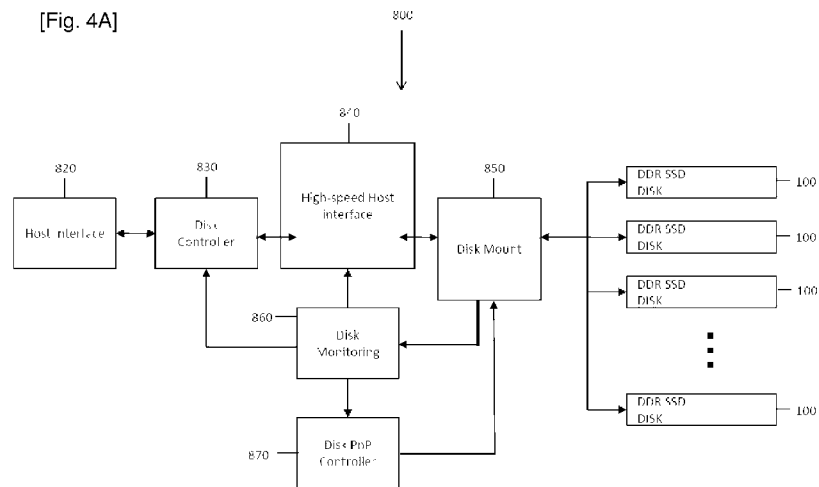
(84) Designated States (unless otherwise indicated, for every kind of regional protection available): ARIPO (BW, GH, GM, KE, LR, LS, MW, MZ, NA, RW, SD, SL, SZ, TZ, UG, ZM, ZW), Eurasian (AM, AZ, BY, KG, KZ, MD, RU, TJ, TM), European (AL, AT, BE, BG, CH, CY, CZ, DE, DK, EE, ES, FI, FR, GB, GR, HR, HU, IE, IS, IT, LT, LU, LV, MC, MK, MT, NL, NO, PL, PT, RO, RS, SE, SI, SK, SM, TR), OAPI (BF, BJ, CF, CG, CI, CM, GA, GN, GQ, GW, ML, MR, NE, SN, TD, TG).

Published:

- with international search report (Art. 21(3))
- before the expiration of the time limit for amending the claims and to be republished in the event of receipt of amendments (Rule 48.2(h))

(88) Date of publication of the international search report:
4 October 2012

(54) Title: RAID-BASED STORAGE CONTROL BOARD



(57) Abstract: Embodiments of the invention relate to a (e.g., hybrid) redundant array of independent disks (RAID)-based storage control board. Specifically, the present invention relates to a storage control board having a RAID controller with a peripheral component interconnect express (PCI-e) interface. In one embodiment, the RAID controller is coupled to an input/output (I/O) hub and a set (at least one) of PCI-e slots, which themselves can receive cards such as a fibre channel (FC) add-on card, a serial attached small component system interface (SAS) add-on card, or a PCI-e bridge add-on card. The I/O hub can be coupled to a set of processors, each of which can be coupled to a main memory module or the like.

WO 2012/105811 A3

A. CLASSIFICATION OF SUBJECT MATTER**G06F 13/14(2006.01)i, G06F 13/16(2006.01)i**

According to International Patent Classification (IPC) or to both national classification and IPC

B. FIELDS SEARCHED

Minimum documentation searched (classification system followed by classification symbols)

G06F 13/14; G06F 3/06; G06F 12/00; G06F 12/08; G06F 13/00

Documentation searched other than minimum documentation to the extent that such documents are included in the fields searched

Korean utility models and applications for utility models

Japanese utility models and applications for utility models

Electronic data base consulted during the international search (name of data base and, where practicable, search terms used)

eKOMPASS(KIPO internal) & Keywords: PCI-e interface, RAID controller, I/O hub

C. DOCUMENTS CONSIDERED TO BE RELEVANT

Category*	Citation of document, with indication, where appropriate, of the relevant passages	Relevant to claim No.
Y	KR 10-2010-0069067 A (INDILINX CO., LTD.) 24 June 2010 See the abstract; figures 2-3; paragraphs [0028]-[0048]	1-20
Y	KR 10-2010-0036528 A (TAEJIN INFO TECH CO., LTD.) 08 April 2010 See the abstract; paragraphs [0018]-[0019]; claims 1-4; figure 1	1-20
Y	US 2009-0327606 A1 (GALLOWAY WILLIAM C. et al.) 31 December 2009 See figure 2B; paragraph [0041]	1-20
Y	US 2003-0221061 A1 (MOHAMAD, H. EL-BATAL et al.) 27 November 2003 See figures 7A-11 and their corresponding description	1-20

 Further documents are listed in the continuation of Box C. See patent family annex.

* Special categories of cited documents:

"A" document defining the general state of the art which is not considered to be of particular relevance

"E" earlier application or patent but published on or after the international filing date

"L" document which may throw doubts on priority claim(s) or which is cited to establish the publication date of citation or other special reason (as specified)

"O" document referring to an oral disclosure, use, exhibition or other means

"P" document published prior to the international filing date but later than the priority date claimed

"T" later document published after the international filing date or priority date and not in conflict with the application but cited to understand the principle or theory underlying the invention

"X" document of particular relevance; the claimed invention cannot be considered novel or cannot be considered to involve an inventive step when the document is taken alone

"Y" document of particular relevance; the claimed invention cannot be considered to involve an inventive step when the document is combined with one or more other such documents, such combination being obvious to a person skilled in the art

"&" document member of the same patent family

Date of the actual completion of the international search

07 AUGUST 2012 (07.08.2012)

Date of mailing of the international search report

09 AUGUST 2012 (09.08.2012)

Name and mailing address of the ISA/KR

Korean Intellectual Property Office
189 Cheongsu-ro, Seo-gu, Daejeon Metropolitan
City, 302-701, Republic of Korea

Facsimile No. 82-42-472-7140

Authorized officer

KIM, Sae Young

Telephone No. 82-42-481-5685



INTERNATIONAL SEARCH REPORT

Information on patent family members

International application No.

PCT/KR2012/000782

Patent document cited in search report	Publication date	Patent family member(s)	Publication date
KR 10-2010-0069067 A	24.06.2010	None	
KR 10-2010-0036528 A	08.04.2010	None	
US 2009-0327606 A1	31.12.2009	CN 102077175 A CN 102176198 A EP 2313828 A1 IL209991D0 IL209992D0 JP 2011-154697 A JP 2011-527047 A KR 10-2011-0044746 A KR 10-2011-0048515 A KR20110044746A US 2011-0040936 A1 US 8219750 B2 WO 2010-002678 A1	25.05.2011 07.09.2011 27.04.2011 28.02.2011 28.02.2011 11.08.2011 20.10.2011 29.04.2011 11.05.2011 29.04.2011 17.02.2011 10.07.2012 07.01.2010
US 2003-0221061 A1	27.11.2003	US 7073022 B2	04.07.2006