

(19) World Intellectual Property
Organization
International Bureau



(43) International Publication Date
15 January 2004 (15.01.2004)

PCT

(10) International Publication Number
WO 2004/004789 A3

(51) International Patent Classification⁷: **A61B 17/22**

(21) International Application Number:
PCT/US2003/020339

(22) International Filing Date: 26 June 2003 (26.06.2003)

(25) Filing Language: English

(26) Publication Language: English

(30) Priority Data:
10/189,277 3 July 2002 (03.07.2002) US
10/272,452 16 October 2002 (16.10.2002) US

(71) Applicant: **RUBICOR MEDICAL INC.** [US/US]; 849
Veterans Boulevard, Redwood City, CA 94063 (US).

(72) Inventors: **VETTER, James, W.**; 117 Solana Road,
Portola Valley, CA 94028 (US). **CHERNOMORSKY,
Ary, S.**; 900 Placer Rider Road, Walnut Creek, CA 94596

(US). **CLIFFORD, Mark, J.**; 479 Los Altos Avenue,
Los Altos, CA 94022 (US). **BROUNSTEIN, Daniel,
M.**; 606 Bella Vista Court, Fremont, CA 94539 (US).
ANDERSON, Scott, C.; 548 Cashmere Court, Sunnyvale,
CA 94087 (US).

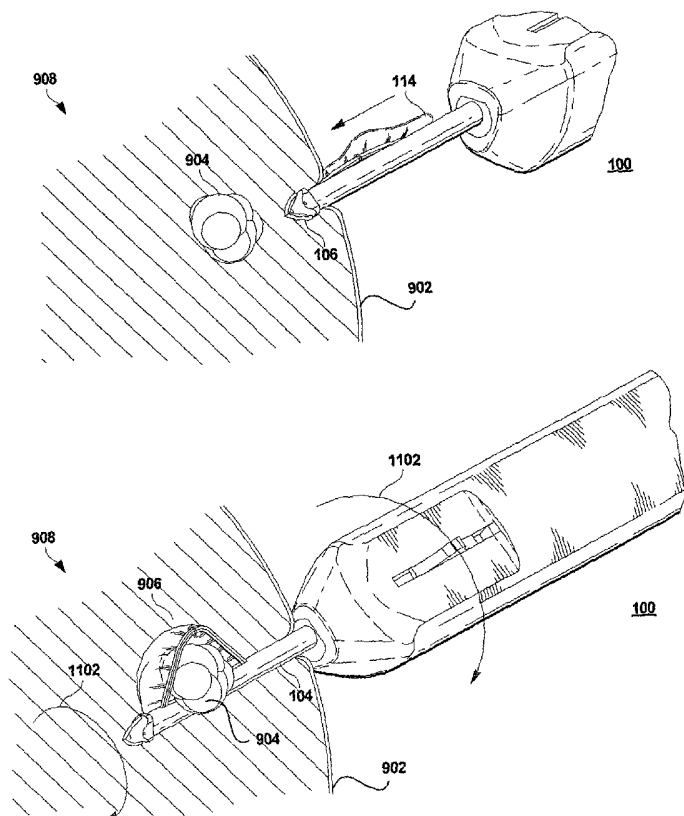
(74) Agent: **YOUNG, Alan, W.**; Young Law Firm, P.C., 4370
Alpine Road, Suite 106, Portola Valley, CA 94028 (US).

(81) Designated States (*national*): AE, AG, AL, AM, AT, AU,
AZ, BA, BB, BG, BR, BY, BZ, CA, CH, CN, CO, CU, CZ,
DE, DK, DM, DZ, EE, ES, FI, GB, GD, GE, GH, GM, HR,
HU, ID, IL, IN, IS, JP, KE, KG, KP, KR, KZ, LC, LK, LR,
LS, LT, LU, LV, MA, MD, MG, MK, MN, MW, MX, MZ,
NI, NO, NZ, PG, PL, PT, RO, RU, SC, SD, SE, SG, SK,
SL, SY, TJ, TM, TR, TT, TZ, UA, UG, UZ, VC, VN, YU,
ZA, ZW.

(84) Designated States (*regional*): ARIPO patent (GH, GM,
KE, LS, MW, MZ, SD, SL, SZ, TZ, UG, ZM, ZW),

[Continued on next page]

(54) Title: METHODS AND DEVICES FOR CUTTING AND COLLECTING SOFT TISSUE



(57) Abstract: Devices and methods for cutting and collecting a specimen (904) from a mass of tissue. The device (100) may include an integrated cut and collect assembly (108). The integrated cut and collect assembly includes a cutting portion (116) and a collection portion (114) that includes a flexible membrane. The collection portion (114) of the assembly is attached to the cutting portion (116) thereof. The cutting portion (116) is configured to cut the specimen (904) from the mass of tissue and the collection portion (114) is configured to collect the cut specimen (904) and to encapsulate and isolate the cut specimen (904) within the membrane (114) to enable its safe retraction from the mass of tissue.

WO 2004/004789 A3



Eurasian patent (AM, AZ, BY, KG, KZ, MD, RU, TJ, TM),
European patent (AT, BE, BG, CH, CY, CZ, DE, DK, EE,
ES, FI, FR, GB, GR, HU, IE, IT, LU, MC, NL, PT, RO,
SE, SI, SK, TR), OAPI patent (BF, BJ, CF, CG, CI, CM,
GA, GN, GQ, GW, ML, MR, NE, SN, TD, TG).

(88) Date of publication of the international search report:
2 September 2004

For two-letter codes and other abbreviations, refer to the "Guidance Notes on Codes and Abbreviations" appearing at the beginning of each regular issue of the PCT Gazette.

Published:

- *with international search report*
- *before the expiration of the time limit for amending the claims and to be republished in the event of receipt of amendments*

INTERNATIONAL SEARCH REPORT

International application No.

PCT/US03/20339

A. CLASSIFICATION OF SUBJECT MATTER		
IPC(7) : A61B 17/22		
US CL : 606/159, 170, 171, 167, 180; 600/564-567; 128/898.		
According to International Patent Classification (IPC) or to both national classification and IPC		
B. FIELDS SEARCHED		
Minimum documentation searched (classification system followed by classification symbols) U.S. : 606/159, 170, 171, 167, 180; 600/564-567; 128/898.		
Documentation searched other than minimum documentation to the extent that such documents are included in the fields searched		
Electronic data base consulted during the international search (name of data base and, where practicable, search terms used)		
C. DOCUMENTS CONSIDERED TO BE RELEVANT		
Category *	Citation of document, with indication, where appropriate, of the relevant passages	Relevant to claim No.
X	US 6 022 362 A (LEE et al.) 08 February 2000; whole document.	1-8, 10-12, 17-21, 48, 50, 52-61, 64-74, 84-95, 98-99, 102-106.
X	US 6 221 006 b1 (DUBRUL et al.) 24 April 2001; whole documents.	1, 7, 9, 13-16, 22-25.
<input type="checkbox"/> Further documents are listed in the continuation of Box C. <input type="checkbox"/> See patent family annex.		
* Special categories of cited documents:		
"A"	document defining the general state of the art which is not considered to be of particular relevance	"T" later document published after the international filing date or priority date and not in conflict with the application but cited to understand the principle or theory underlying the invention
"E"	earlier application or patent published on or after the international filing date	"X" document of particular relevance; the claimed invention cannot be considered novel or cannot be considered to involve an inventive step when the document is taken alone
"L"	document which may throw doubts on priority claim(s) or which is cited to establish the publication date of another citation or other special reason (as specified)	"Y" document of particular relevance; the claimed invention cannot be considered to involve an inventive step when the document is combined with one or more other such documents, such combination being obvious to a person skilled in the art
"O"	document referring to an oral disclosure, use, exhibition or other means	"&" document member of the same patent family
"P"	document published prior to the international filing date but later than the priority date claimed	
Date of the actual completion of the international search		Date of mailing of the international search report
11 May 2004 (11.05.2004)		08 JUL 2004
Name and mailing address of the ISA/US		Authorized officer
Mail Stop PCT, Attn: ISA/US		<i>Ny Q. Bui</i>
Commissioner for Patents		Telephone No. 703-308-0858
P.O. Box 1450		
Alexandria, Virginia 22313-1450		
Facsimile No. (703) 305-3230		