

(19) World Intellectual Property Organization
International Bureau



(43) International Publication Date
22 December 2005 (22.12.2005)

PCT

(10) International Publication Number
WO 2005/120199 A3

(51) International Patent Classification:

A61B 5/00 (2006.01) A61B 17/14 (2006.01)
A61B 17/32 (2006.01) B65D 81/00 (2006.01)

(21) International Application Number:

PCT/US2005/019590

(22) International Filing Date: 3 June 2005 (03.06.2005)

(25) Filing Language: English

(26) Publication Language: English

(30) Priority Data:

60/576,998 3 June 2004 (03.06.2004) US

(71) Applicant (for all designated States except US): PE-
LIKAN TECHNOLOGIES, INC. [US/US]; 1072 East
Meadow Circle, Palo Alto, CA 94303 (US).

(72) Inventors; and

(75) Inventors/Applicants (for US only): MAUZE, Ganap-
ati [US/US]; 1114 Knickerbocker Drive, Sunnyvale, CA
94087 (US). LUM, Paul [US/US]; 690 Templebar Way,
Los Altos, CA 94022 (US). DESHMUKH, Ajay [US/US];
700 Chiquita Avenue #12, Mountain View, CA 94041 (US).
MARSOT, Travis [US/US]; 1072 East Meadow Circle,
Palo Alto, CA 94303 (US). BOECKER, Dirk [DE/US];
1652 Castilleja Avenue, Palo Alto, CA 94306 (US). FREE-
MAN, Dominique, M. [GB/US]; 4545 La Honda Road,

La Honda, CA 94020 (US). ALDEN, Don [US/US]; 1312
Nelson Way, Sunnyvale, CA 94087 (US). CANE, Michael
[GB/GB]; The Long Barn, Church Road Toft, Cambridge
CB3 7RF (GB). SCHUMANN, Matt [GB/GB]; The Old
Horse Yard, Comberton Road Toft, Cambridge CB3 7RY
(GB). ROSS, James [US/US]; 869 Lucerne Street, Liver-
more, CA 94551 (US).

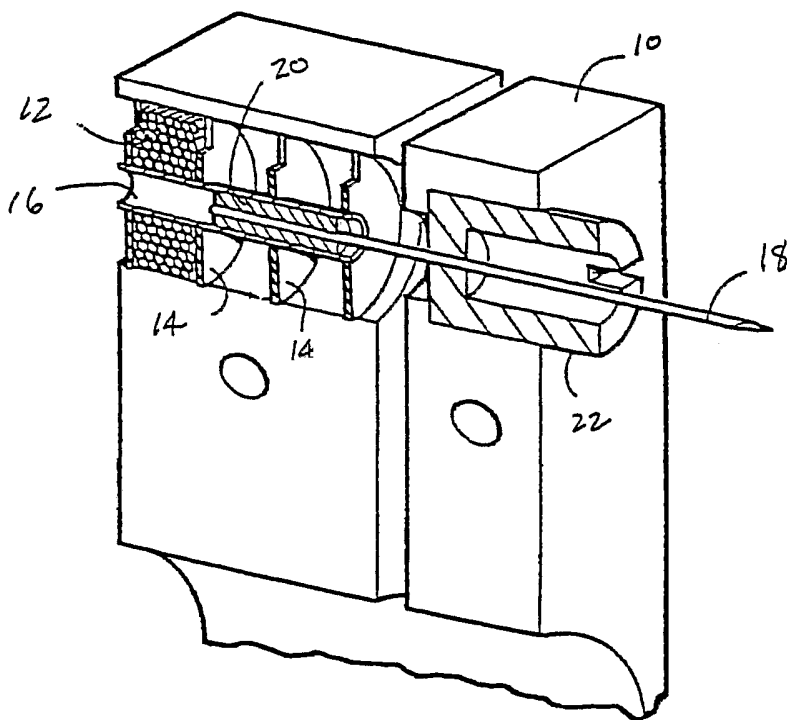
(74) Agent: TUNG, Hao, Y.; Heller Ehrman White &
McAuliffe LLC, 275 Middlefield Road, Menlo Park, CA
94025-3506 (US).

(81) Designated States (unless otherwise indicated, for every
kind of national protection available): AE, AG, AL, AM,
AT, AU, AZ, BA, BB, BG, BR, BW, BY, BZ, CA, CH, CN,
CO, CR, CU, CZ, DE, DK, DM, DZ, EC, EE, EG, ES, FI,
GB, GD, GE, GH, GM, HR, HU, ID, IL, IN, IS, JP, KE,
KG, KM, KP, KR, KZ, LC, LK, LR, LS, LT, LU, LV, MA,
MD, MG, MK, MN, MW, MX, MZ, NA, NG, NI, NO, NZ,
OM, PG, PH, PL, PT, RO, RU, SC, SD, SE, SG, SK, SL,
SM, SY, TJ, TM, TN, TR, TT, TZ, UA, UG, US, UZ, VC,
VN, YU, ZA, ZM, ZW.

(84) Designated States (unless otherwise indicated, for every
kind of regional protection available): ARIPO (BW, GH,
GM, KE, LS, MW, MZ, NA, SD, SL, SZ, TZ, UG, ZM,
ZW), Eurasian (AM, AZ, BY, KG, KZ, MD, RU, TJ, TM),

[Continued on next page]

(54) Title: METHODS AND APPARATUS FOR AN INTEGRATED SAMPLE CAPTURE AND ANALYSIS DISPOSABLE



(57) Abstract: Methods and apparatus are provided for an analyte detecting device. In one embodiment, the device comprises a cartridge having a plurality of cavities; and a plurality of penetrating members at least partially contained in the cavities of the single cartridge wherein the penetrating members are slidably movable to extend outward from lateral openings on the cartridge to penetrate tissue. The device may also include a sterility barrier coupled to the cartridge, the sterility barrier covering a plurality of the lateral openings, wherein the sterility barrier covering the lateral openings is configured to be moved so that a penetrating member exits the lateral opening without contacting the barrier; a plurality of analyte detecting members coupled to an underside of the cartridge; and a plurality of sample capture devices, the sample capture devices each having a vertical portion and a horizontal portion, the vertical portion having an opening therethrough to allow a penetrating member to pass

WO 2005/120199 A3 through.



European (AT, BE, BG, CH, CY, CZ, DE, DK, EE, ES, FI, FR, GB, GR, HU, IE, IS, IT, LT, LU, MC, NL, PL, PT, RO, SE, SI, SK, TR), OAPI (BF, BJ, CF, CG, CI, CM, GA, GN, GQ, GW, ML, MR, NE, SN, TD, TG).

(88) Date of publication of the international search report:
17 August 2006

Published:

- with international search report
- before the expiration of the time limit for amending the claims and to be republished in the event of receipt of amendments

For two-letter codes and other abbreviations, refer to the "Guidance Notes on Codes and Abbreviations" appearing at the beginning of each regular issue of the PCT Gazette.

INTERNATIONAL SEARCH REPORT

International application No.
PCT/US05/19590

A. CLASSIFICATION OF SUBJECT MATTER
 IPC: **A61B 5/00**(2006.01),**17/32**(2006.01),**17/14**(2006.01);**B65D 81/00**(2006.01)

 USPC: 600/573,575,583,584;606/167,181,182,183
 According to International Patent Classification (IPC) or to both national classification and IPC

B. FIELDS SEARCHED
 Minimum documentation searched (classification system followed by classification symbols)
 U.S. : 600/573,575,583,584;606/167,181,182,183

 Documentation searched other than minimum documentation to the extent that such documents are included in the fields searched


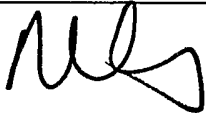
 Electronic data base consulted during the international search (name of data base and, where practicable, search terms used)

C. DOCUMENTS CONSIDERED TO BE RELEVANT

Category *	Citation of document, with indication, where appropriate, of the relevant passages	Relevant to claim No.
X --- Y	US 6,706,159 B2 (MOERMAN et al) 16 March 2004 (16.03.2004), columns 7-9, lines 13-34.	1, 3, 4, 5, 7-10 ----- 2, 6, 11-19
X,P --- Y	US 2005/0021066 A1 (KUHR et al) 27 January 2005 (27.01.2005), whole document	1 ----- 2, 11, 12, 13, 15-19
Y, P	US 6,783,502 B2 (ORLOFF et al) 31 August 2004 (31.08.2004), column 7, lines 54-57.	14
Y	US 6,251,083 B1 (YUM et al) 26 June 2001 (26.06.2001) column 7, lines 20-25	6

Further documents are listed in the continuation of Box C. See patent family annex.

* Special categories of cited documents:		"T" later document published after the international filing date or priority date and not in conflict with the application but cited to understand the principle or theory underlying the invention
"A" document defining the general state of the art which is not considered to be of particular relevance		
"E" earlier application or patent published on or after the international filing date		"X" document of particular relevance; the claimed invention cannot be considered novel or cannot be considered to involve an inventive step when the document is taken alone
"L" document which may throw doubts on priority claim(s) or which is cited to establish the publication date of another citation or other special reason (as specified)		"Y" document of particular relevance; the claimed invention cannot be considered to involve an inventive step when the document is combined with one or more other such documents, such combination being obvious to a person skilled in the art
"O" document referring to an oral disclosure, use, exhibition or other means		
"P" document published prior to the international filing date but later than the priority date claimed		"&" document member of the same patent family

Date of the actual completion of the international search 10 April 2006 (10.04.2006)	Date of mailing of the international search report 29 JUN 2006
Name and mailing address of the ISA/US Mail Stop PCT, Attn: ISA/US Commissioner for Patents P.O. Box 1450 Alexandria, Virginia 22313-1450 Facsimile No. (571) 273-3201	Authorized officer  Max Hindenburg Telephone No. (571) 234-5746 

INTERNATIONAL SEARCH REPORT

International application No.
PCT/US05/19590

Continuation of Item 4 of the first sheet:

Examiner METHOD AND APPARATUS FOR INTEGRATED SAMPLE CAPTURE AND ANALYSIS