



US00D763528S

(12) **United States Design Patent**
Lu et al.

(10) **Patent No.:** **US D763,528 S**

(45) **Date of Patent:** **** Aug. 9, 2016**

(54) **HAND TOOL**

FOREIGN PATENT DOCUMENTS

(71) Applicant: **SharkNinja Operating LLC**, Newton, MA (US)

JP 1356019 S 4/2009

(72) Inventors: **Zenas Lu**, Cambridge, MA (US); **Brett Andler**, Needham, MA (US); **Charlie Cai**, WuHan (CN); **Scott Niedzwecki**, Walpole, MA (US); **Owen Johnson**, Waltham, MA (US)

OTHER PUBLICATIONS

Examiner Notice from Japanese Design No. 2014-028689 dated Jul. 14, 2015. (English and Japanese Translation).

(73) Assignee: **SharkNinja Operating LLC**, Newton, MA (US)

* cited by examiner

(**) Term: **14 Years**

Primary Examiner — Ruth McInroy

(21) Appl. No.: **29/494,475**

(74) *Attorney, Agent, or Firm* — Grossman Tucker Perreault & Pfleger, PLLC

(22) Filed: **Jun. 20, 2014**

(57) **CLAIM**

The ornamental design for a hand tool, as shown and described.

(51) **LOC (10) Cl.** **15-05**

DESCRIPTION

(52) **U.S. Cl.**

USPC **D32/33**

(58) **Field of Classification Search**

USPC D32/31–33, 40, 50, 25

CPC A47L 11/4044; A47L 9/02; A47L 13/12;

A47L 13/20; A47L 1/08; A47K 7/02

See application file for complete search history.

FIG. 1 is a perspective view of a hand tool showing our new design;

FIG. 2 is a top view thereof;

FIG. 3 is a bottom view thereof;

FIG. 4 is a right side view thereof;

FIG. 5 is a left side view thereof;

FIG. 6 is a rear view thereof;

FIG. 7 is a front view thereof;

FIG. 8 is a perspective view thereof in an alternate position;

FIG. 9 is a top view of FIG. 8;

FIG. 10 is a bottom view of FIG. 8;

FIG. 11 is a right side view of FIG. 8;

FIG. 12 is a left side view of FIG. 8;

FIG. 13 is a rear view of FIG. 8; and,

FIG. 14 is a front view of FIG. 8.

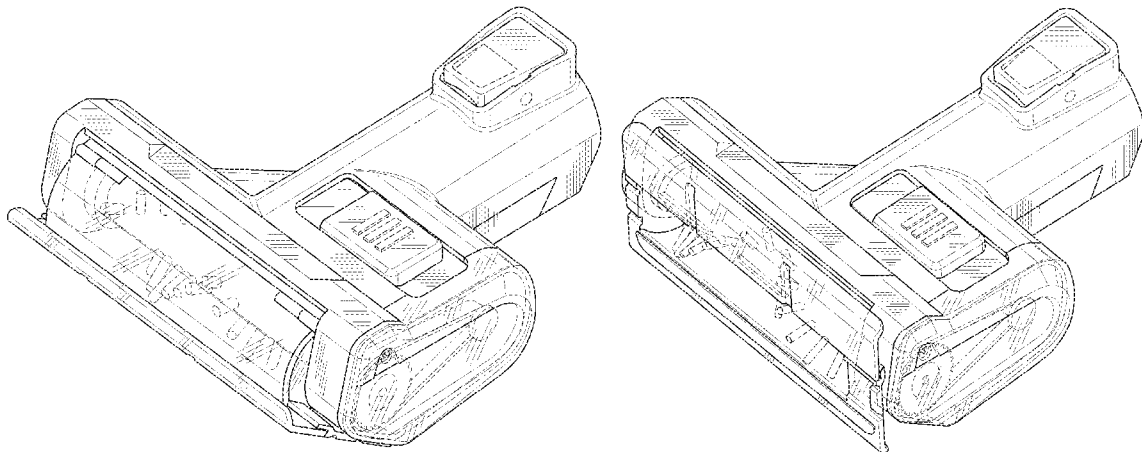
The dashed lines are for illustrative purposes only and form no part of the claimed design.

(56) **References Cited**

U.S. PATENT DOCUMENTS

D419,733	S	*	1/2000	Medema	D32/32
D515,756	S	*	2/2006	Allard	D32/32
D520,695	S	*	5/2006	Dyson	D32/33
D537,219	S	*	2/2007	Adams	D32/32
D590,112	S	*	4/2009	Sun	D32/32
D590,113	S	*	4/2009	Benacquisto	D32/32
D602,217	S	*	10/2009	Osborn	D32/32
D679,878	S	*	4/2013	Chudleigh	D32/33
2010/0223753	A1	*	9/2010	Knox	A47L 9/0477
						15/363

1 Claim, 12 Drawing Sheets



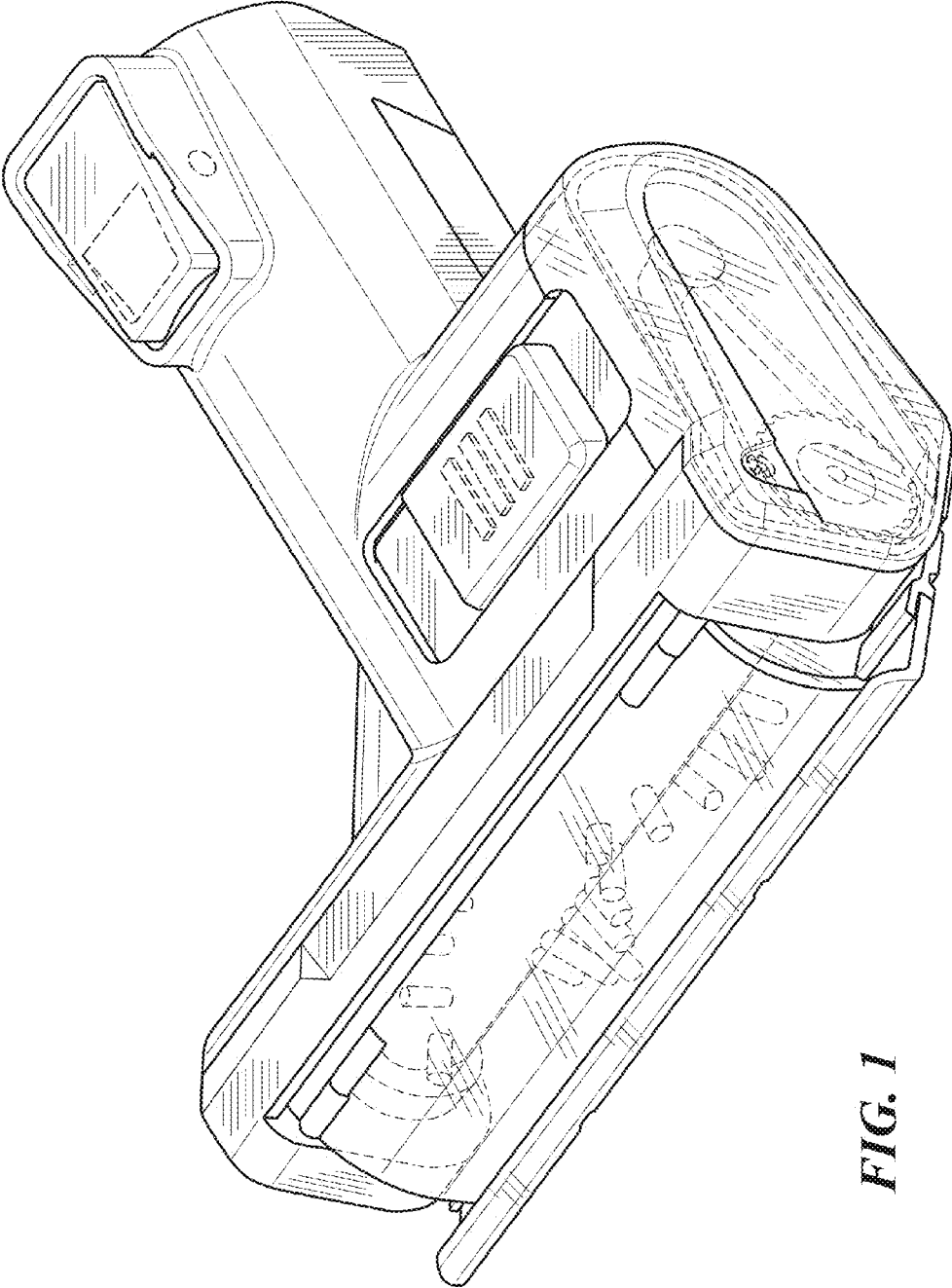
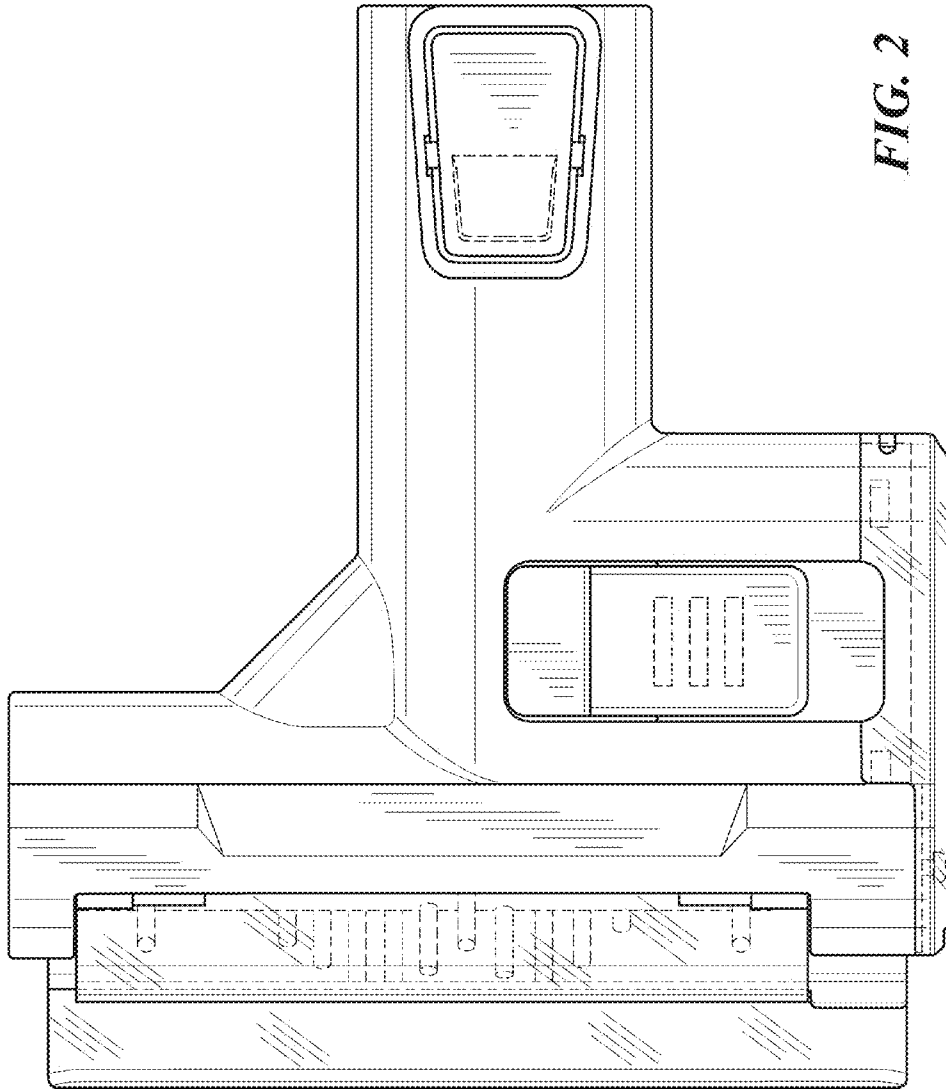
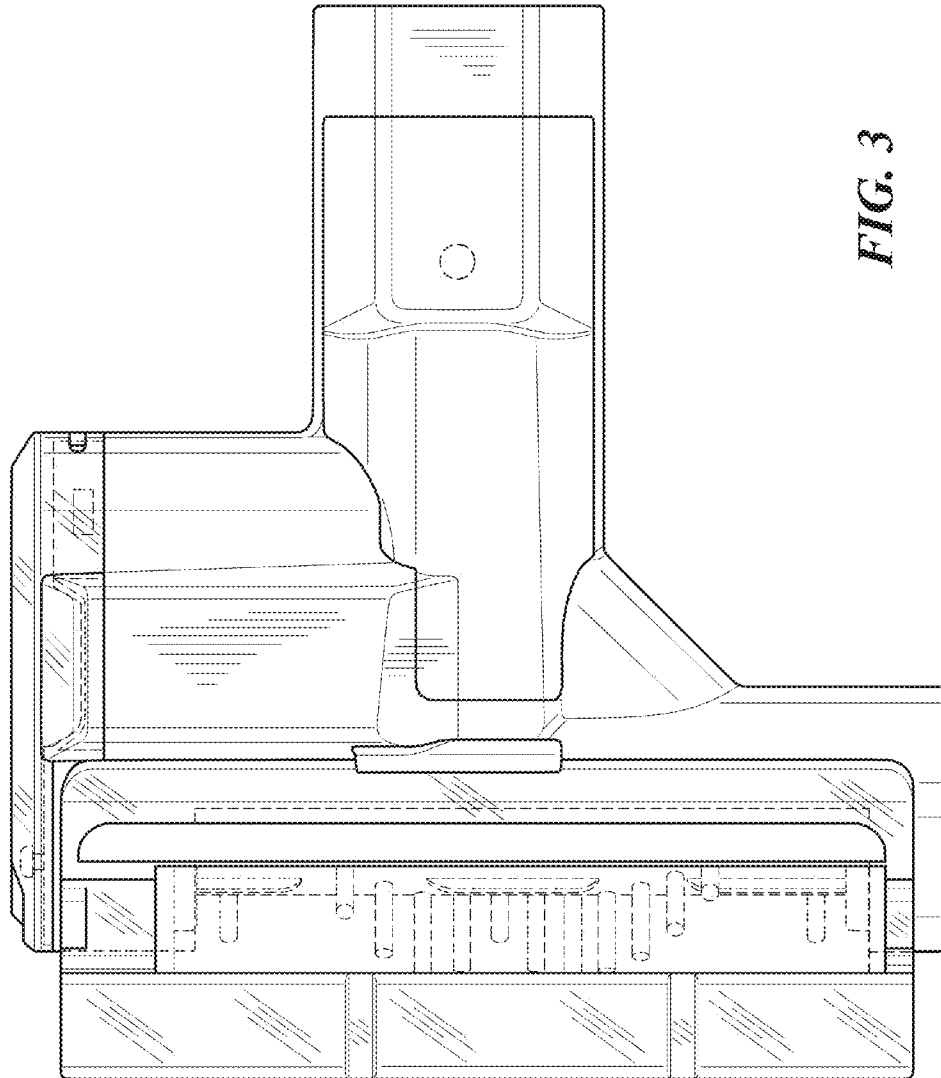


FIG. 1





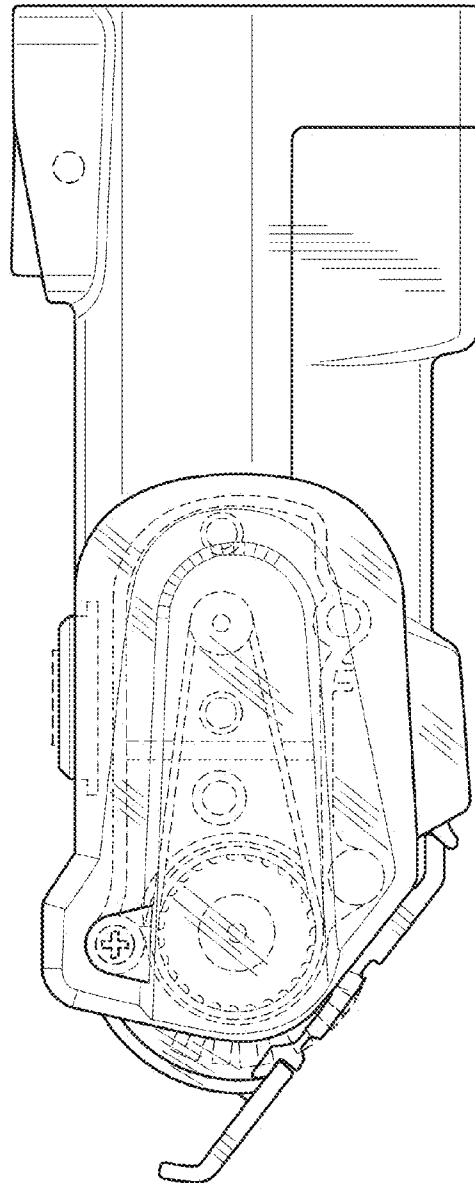


FIG. 4

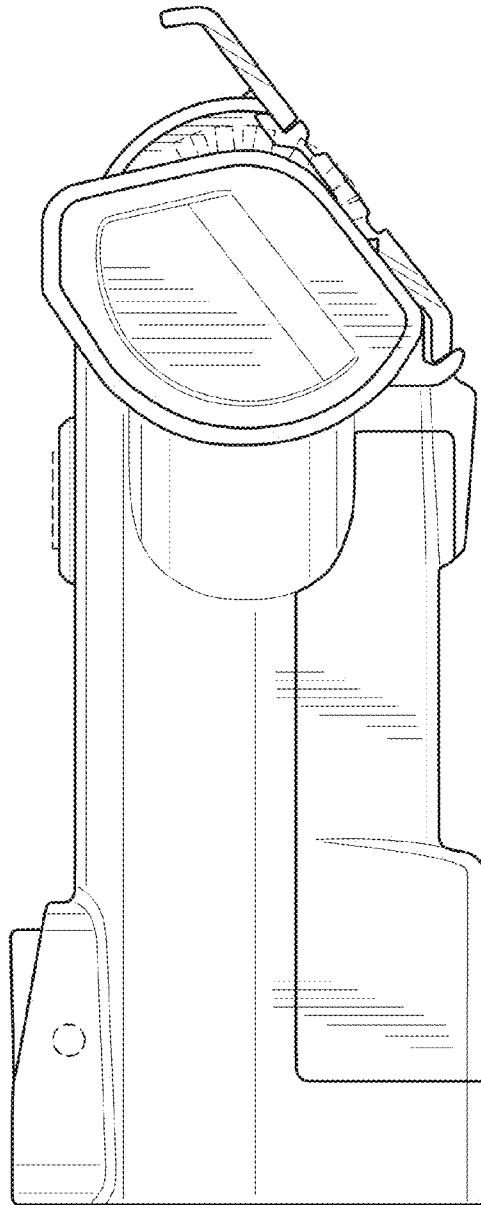


FIG. 5

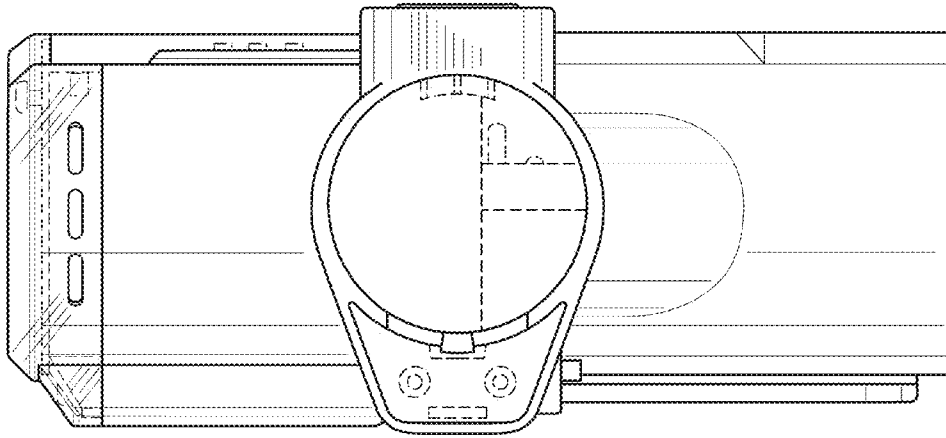


FIG. 6

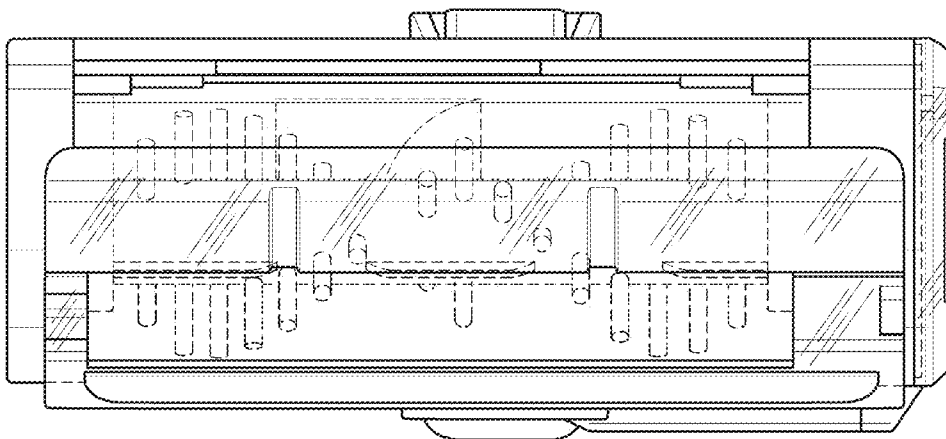


FIG. 7

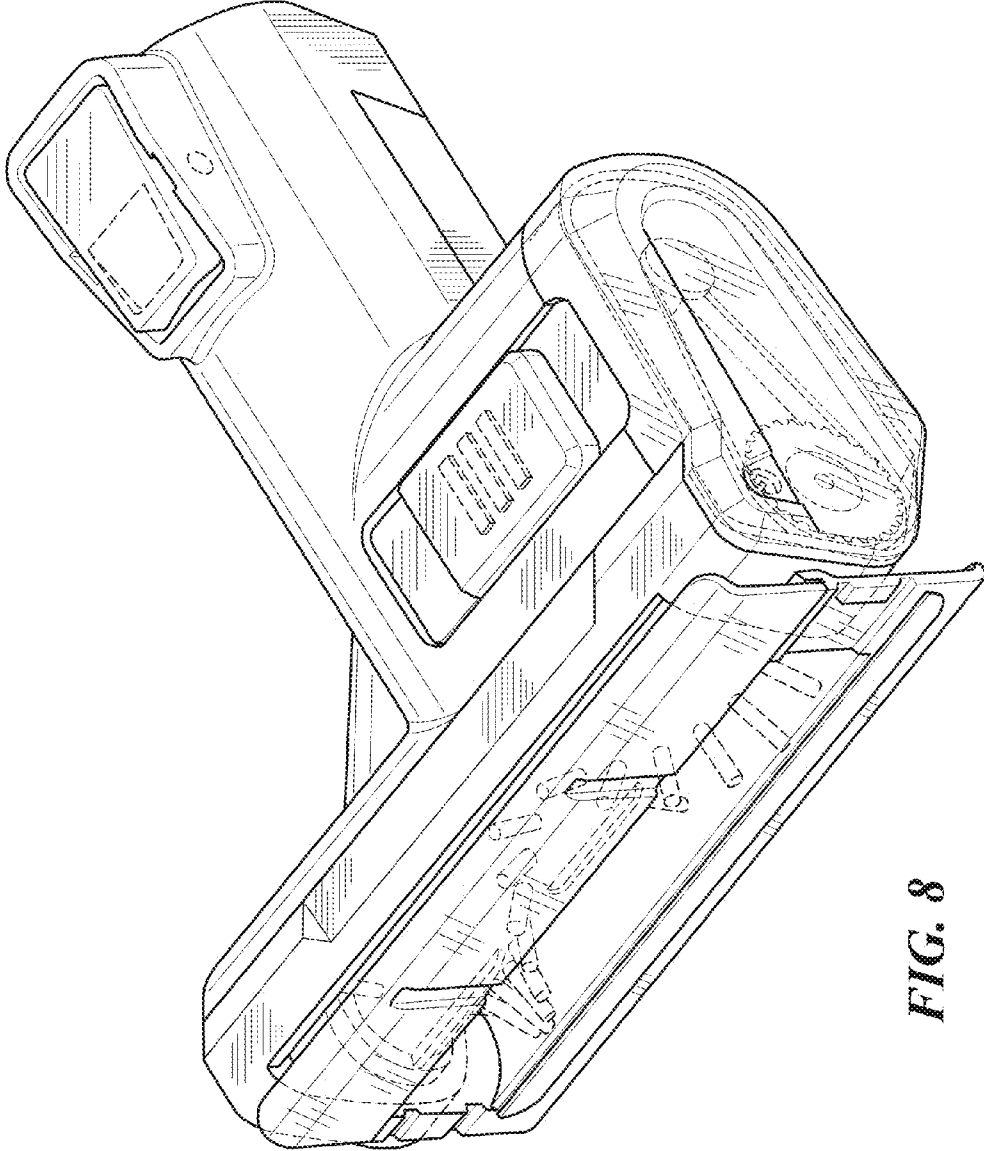
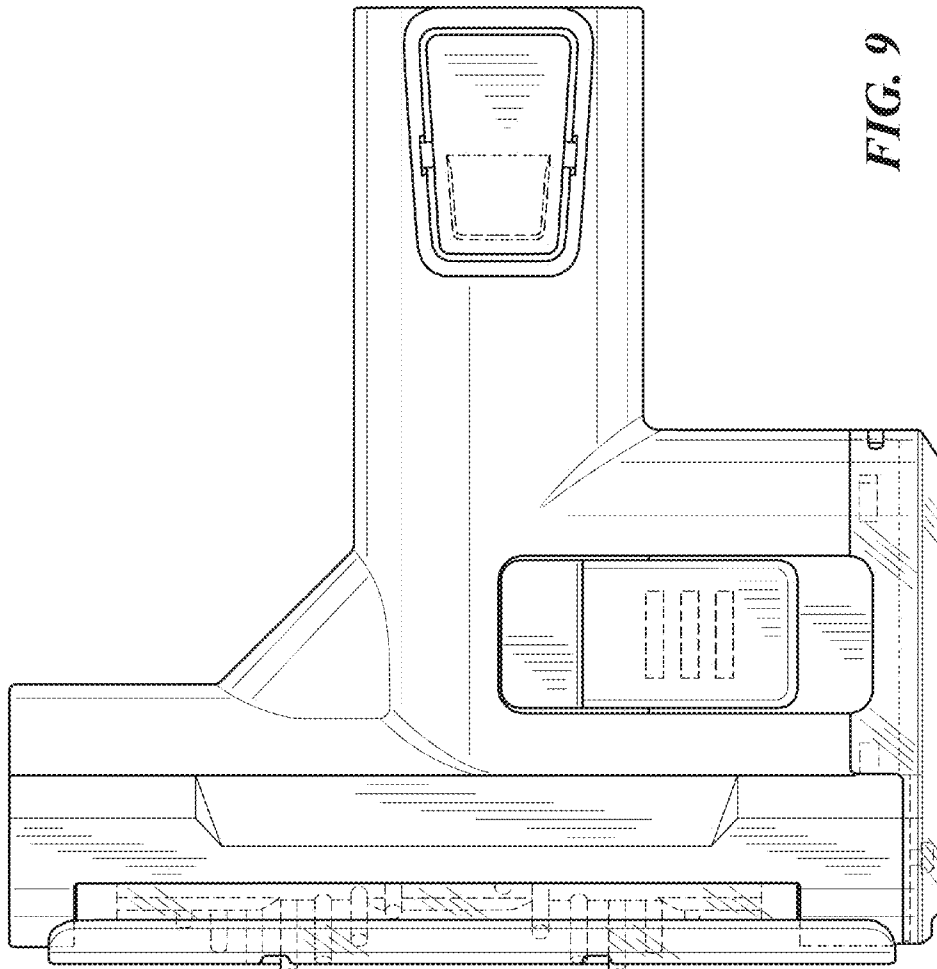


FIG. 8



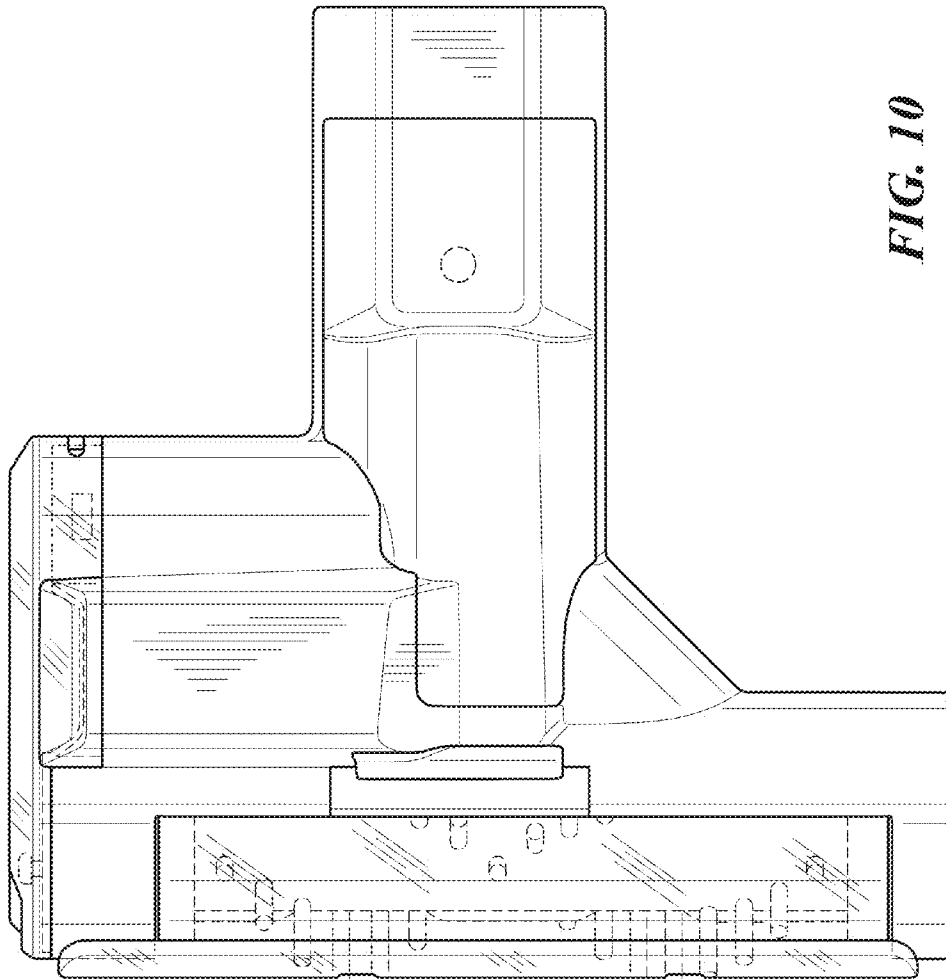


FIG. 10

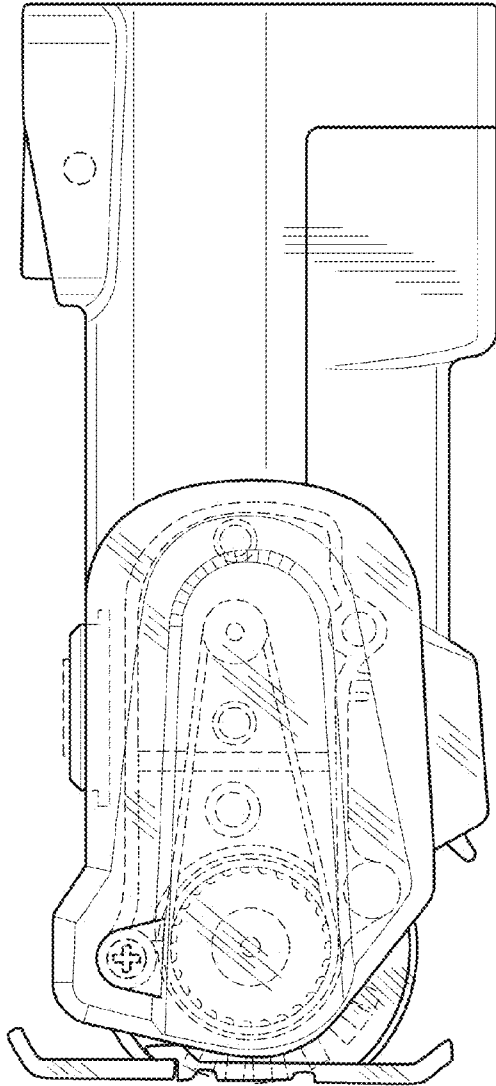


FIG. 11

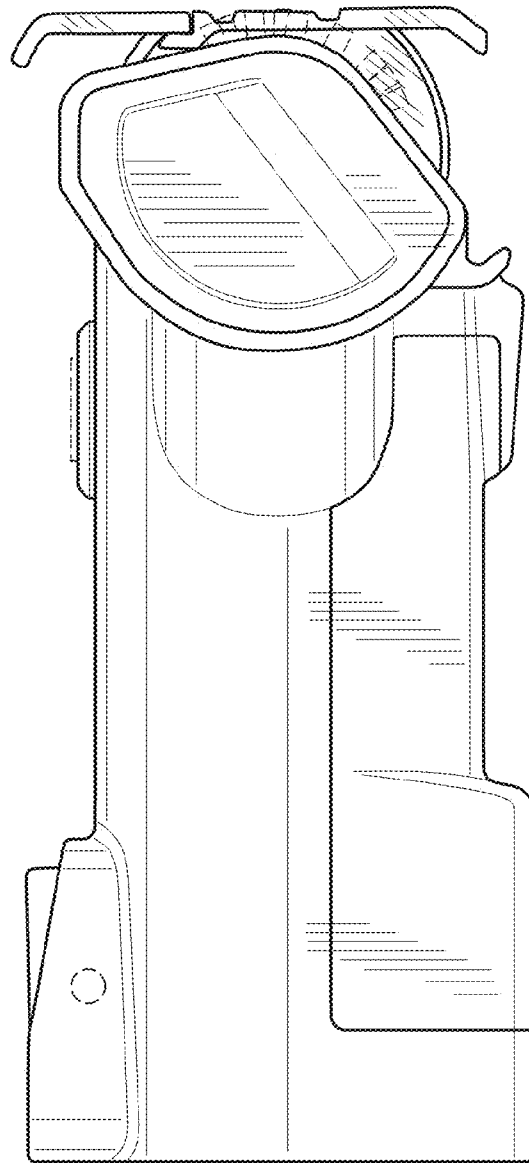


FIG. 12

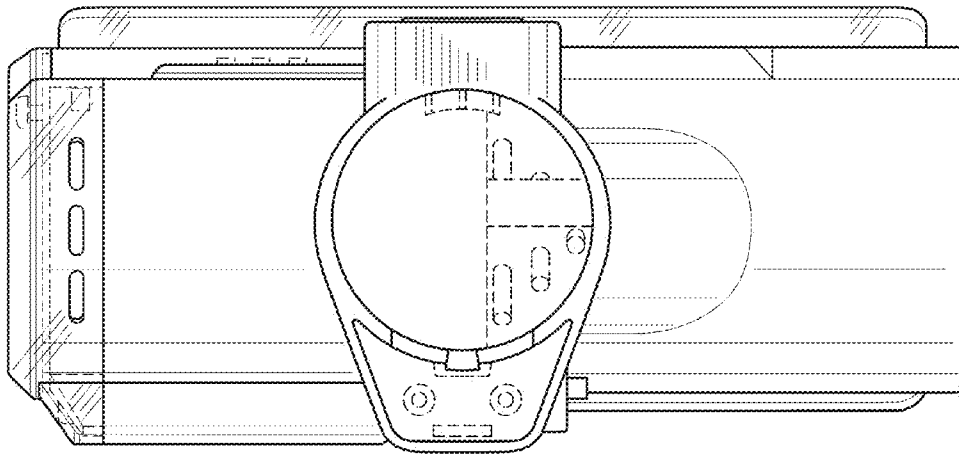


FIG. 13

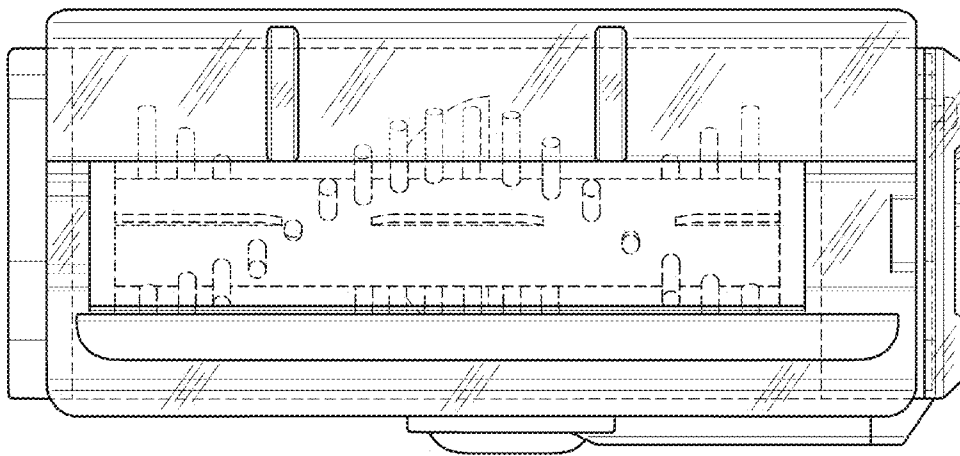


FIG. 14