



(12) **United States Design Patent**
Sun

(10) **Patent No.:** **US D961,985 S**
(45) **Date of Patent:** **** Aug. 30, 2022**

(54) **SMOKELESS WOOD STOVE**

DESCRIPTION

(71) Applicant: **WPG GoldSun Trading Inc**, Winnipeg (CA)

(72) Inventor: **Sujing Sun**, Winnipeg (CA)

(73) Assignee: **WPG GoldSun Trading Inc**, Winnipeg (CA)

(**) Term: **15 Years**

(21) Appl. No.: **29/799,907**

(22) Filed: **Jul. 16, 2021**

(51) **LOC (13) Cl.** **07-02**

(52) **U.S. Cl.**

USPC **D7/337; D23/348**

(58) **Field of Classification Search**

USPC D7/332-338, 407-409, 417, 339;
126/25 R, 9 R, 29; D23/332, 343, 348
(Continued)

(56) **References Cited**

U.S. PATENT DOCUMENTS

2,756,738 A * 7/1956 Kratz F24B 1/205
126/265
D196,018 S * 8/1963 Palmer D7/337
(Continued)

OTHER PUBLICATIONS

TAFEIDA, Rocket Stove With Handles, Feb. 2, 2021, Amazon,
<https://www.amazon.com/Portable-Adjustable-Smokeless-Excellently-Emergency/dp/B08VGW77JX> (Year: 2021).*

(Continued)

Primary Examiner — Brett Miller

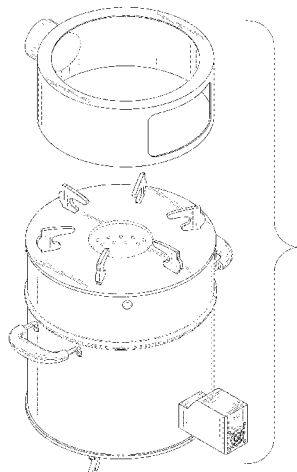
(74) *Attorney, Agent, or Firm* — ScienBiziP, P.C.

(57) **CLAIM**

The ornamental design for a smokeless wood stove, as shown and described.

FIG. 1 is a front, right, and top perspective view of a main body of a smokeless wood stove, showing my design.
FIG. 2 is a rear, left, and bottom perspective view of the main body of the smokeless wood stove of FIG. 1.
FIG. 3 is a front elevation view of the main body of the smokeless wood stove of FIG. 1.
FIG. 4 is a rear elevation view of the main body of the smokeless wood stove of FIG. 1.
FIG. 5 is a left side elevation view of the main body of the smokeless wood stove of FIG. 1.
FIG. 6 is a right side elevation view of the main body of the smokeless wood stove of FIG. 1.
FIG. 7 is a top plan view of the main body of the smokeless wood stove of FIG. 1.
FIG. 8 is a bottom plan view of the main body of the Smokeless wood stove of FIG. 1.
FIG. 9 is a front, right, and top perspective view of a head part of a smokeless wood stove, showing my design.
FIG. 10 is a rear, left, and bottom perspective view of the head part of the smokeless wood stove of FIG. 9.
FIG. 11 is a front elevation view of the head part of the smokeless wood stove of FIG. 9.
FIG. 12 is a rear elevation view of the head part of the smokeless wood stove of FIG. 9.
FIG. 13 is a left side elevation view of the head part of the smokeless wood stove of FIG. 9.
FIG. 14 is a right side elevation view of the head part of the smokeless wood stove of FIG. 9.
FIG. 15 is a top plan view of the head part of the smokeless wood stove of FIG. 9.
FIG. 16 is a bottom plan view of the head part of the smokeless wood stove of FIG. 9; and,
FIG. 17 is a front, right, and top perspective view of a head part and a main body of a smokeless wood stove.
The broken lines shown in the drawings are included for the purpose of illustrating portions of the smokeless wood stove that form no part of the claimed design.

1 Claim, 17 Drawing Sheets



(58) **Field of Classification Search**

CPC A47J 37/0763; A47J 37/0786; A47J
37/0704; A47J 2037/0777; A47J 37/0694;
A47J 33/00; F24B 1/205; F24C 1/16;
F24C 3/14

See application file for complete search history.

(56) **References Cited**

U.S. PATENT DOCUMENTS

D201,536 S *	6/1965	Jonas	D23/348
D444,991 S *	7/2001	Measom	D7/337
D453,372 S *	2/2002	Pecoskie	D23/343
D473,746 S *	4/2003	Yeh	D7/337
D548,513 S *	8/2007	Huang	D7/332
D570,642 S *	6/2008	Svartstrom	D7/337
D590,202 S *	4/2009	Gadgil	D7/339
D612,662 S *	3/2010	Lorenz	D7/337
D801,101 S *	10/2017	Osinga	D7/337
D807,103 S *	1/2018	Lorenz	D7/332
D858,729 S *	9/2019	Scott	D23/348
D896,018 S	9/2020	Harrell		
D908,414 S *	1/2021	Sun	D23/343
D920,027 S	5/2021	Harrell		

OTHER PUBLICATIONS

Reynaldi, Biomass Stove, Dec. 27, 2019, GRABCAD, <https://grabcad.com/library/biomass-stove-1> (Year: 2019).*

* cited by examiner

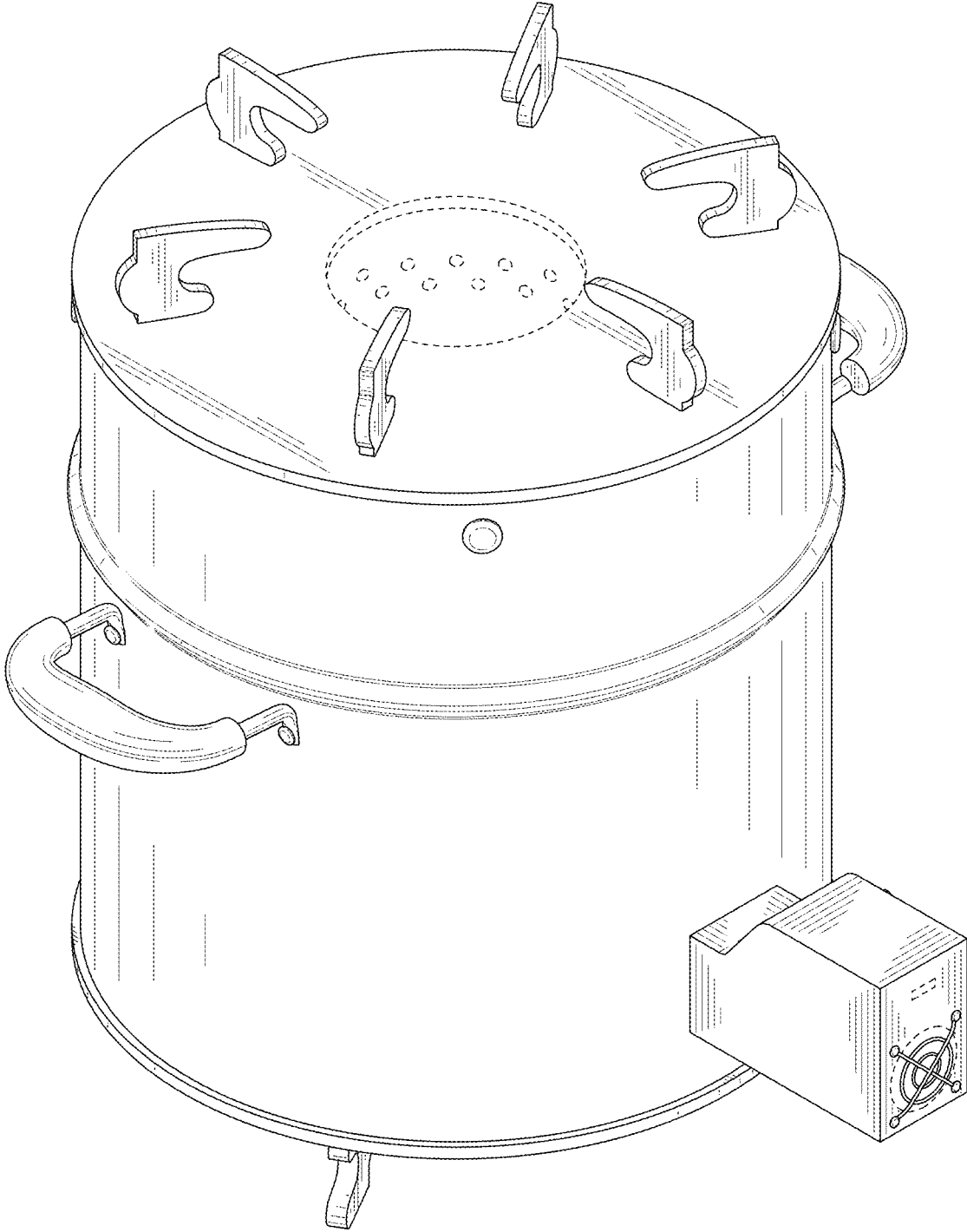


FIG. 1

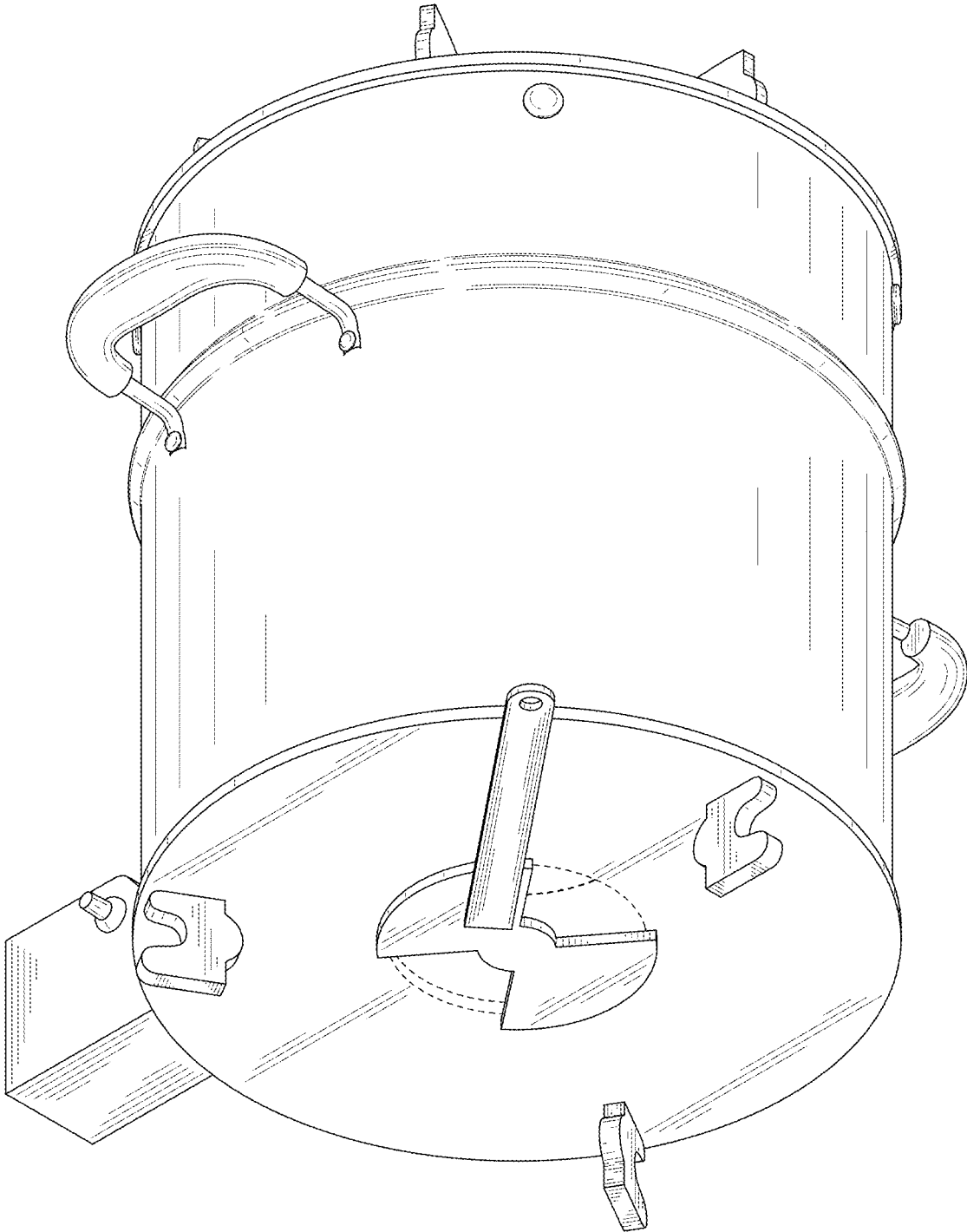


FIG. 2

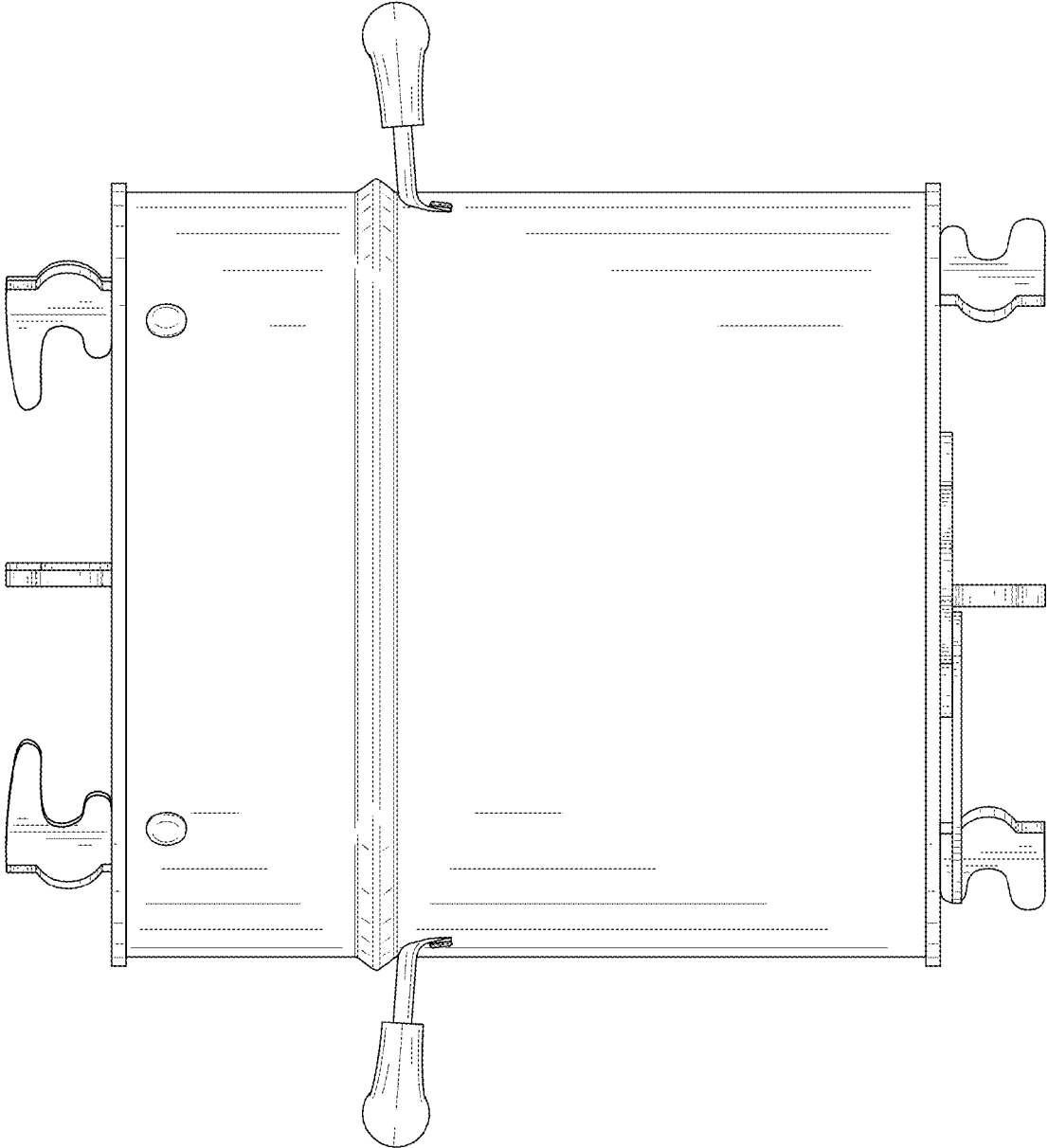


FIG. 3

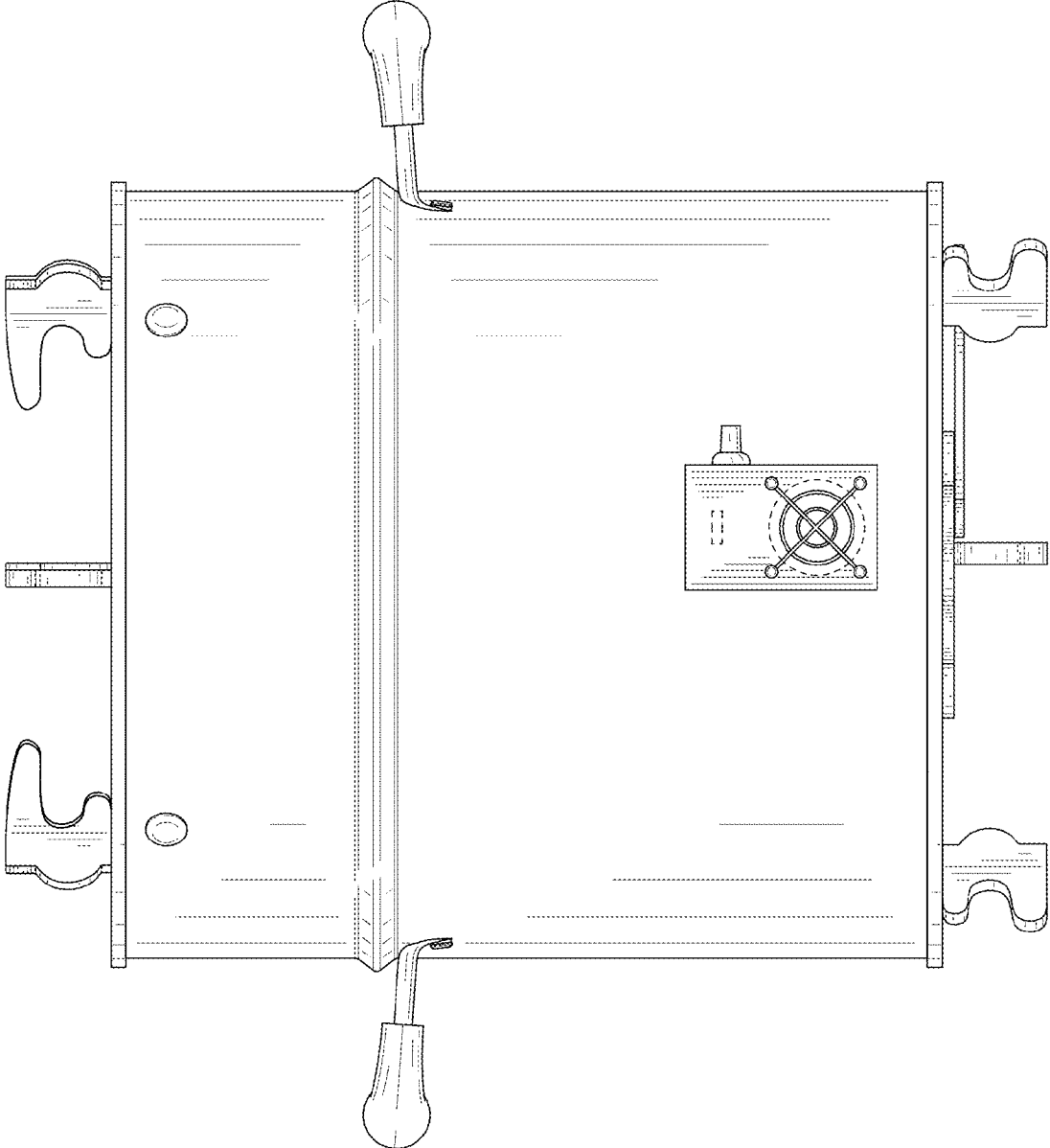


FIG. 4

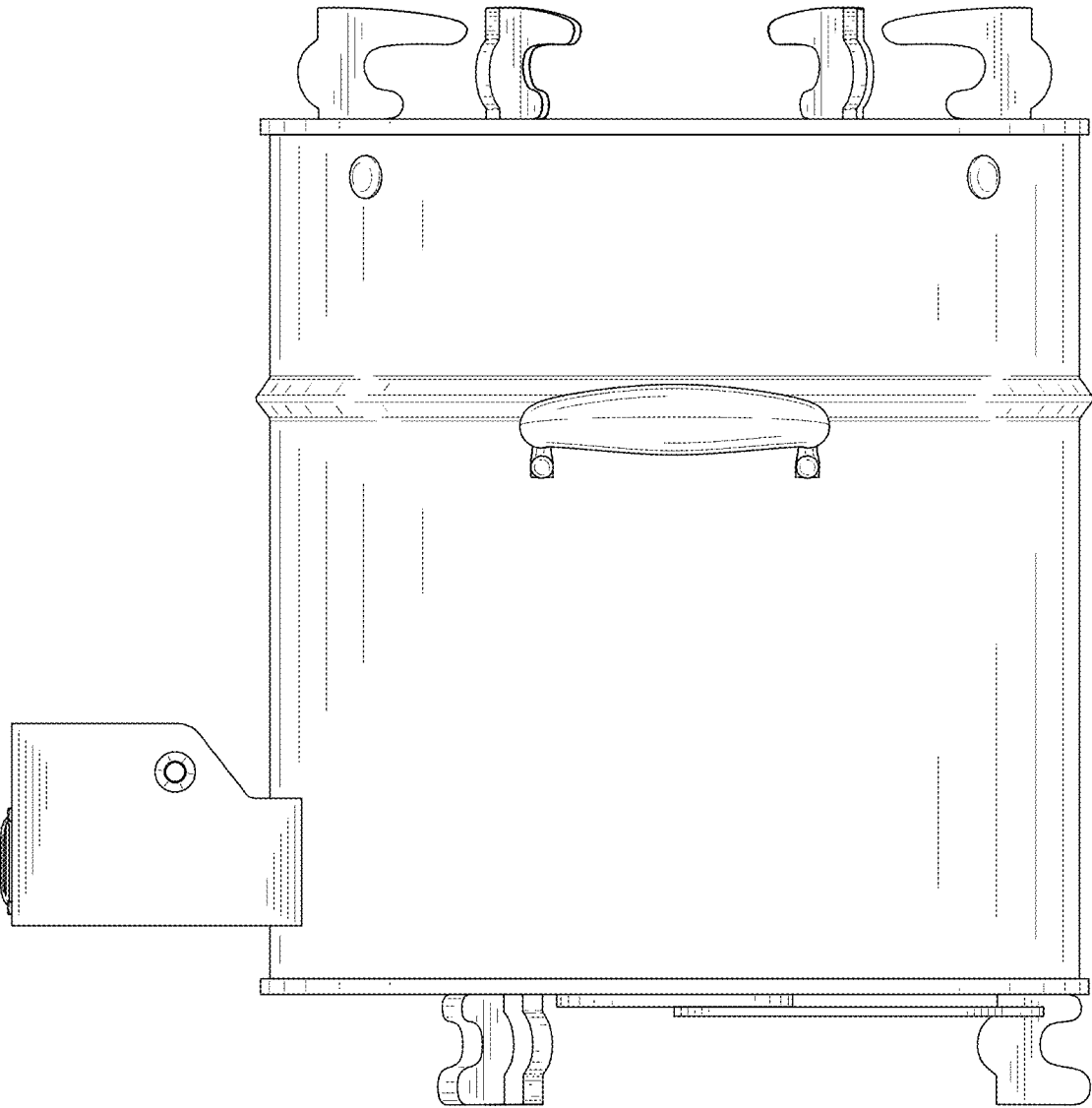


FIG. 5

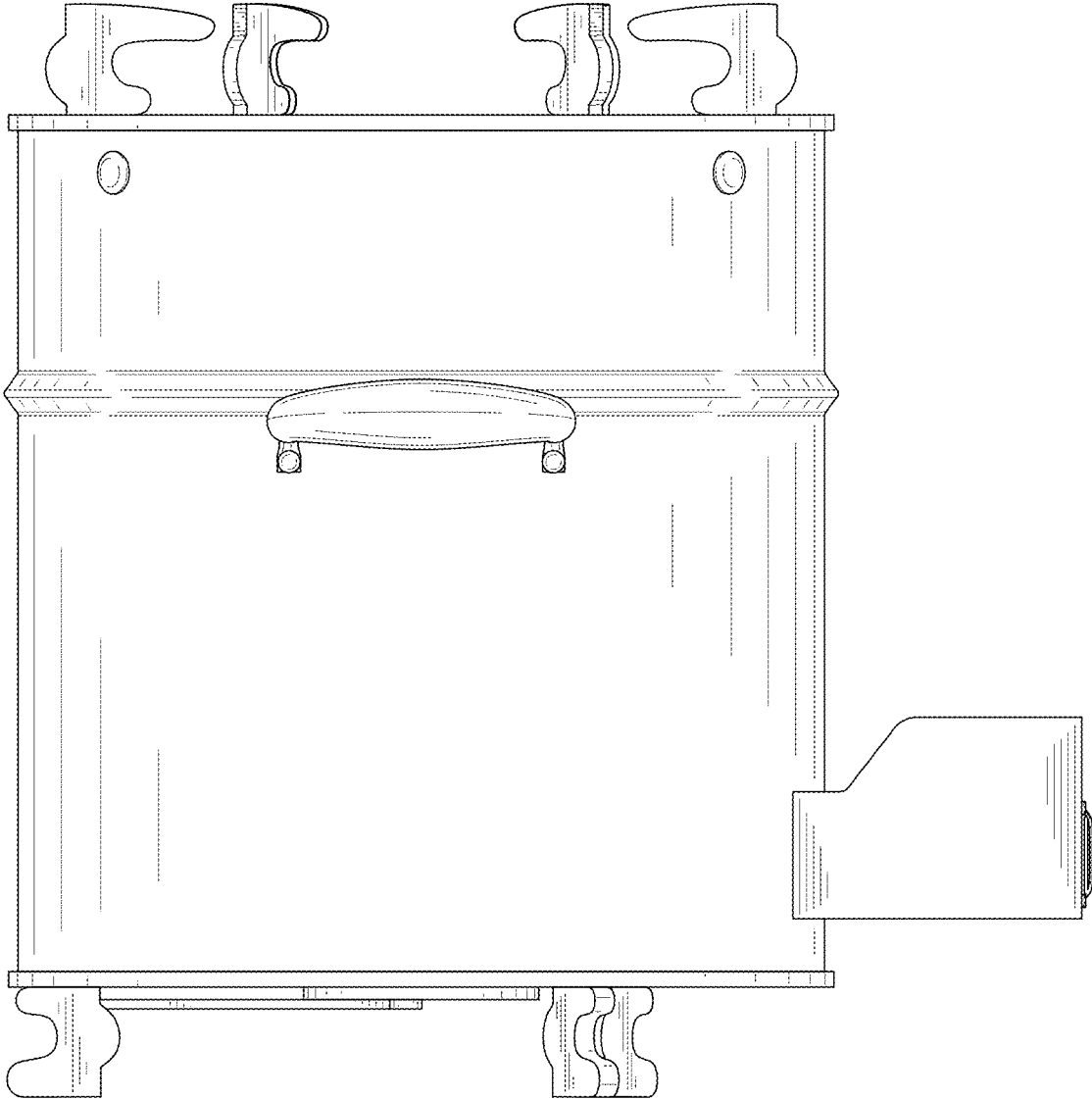


FIG. 6

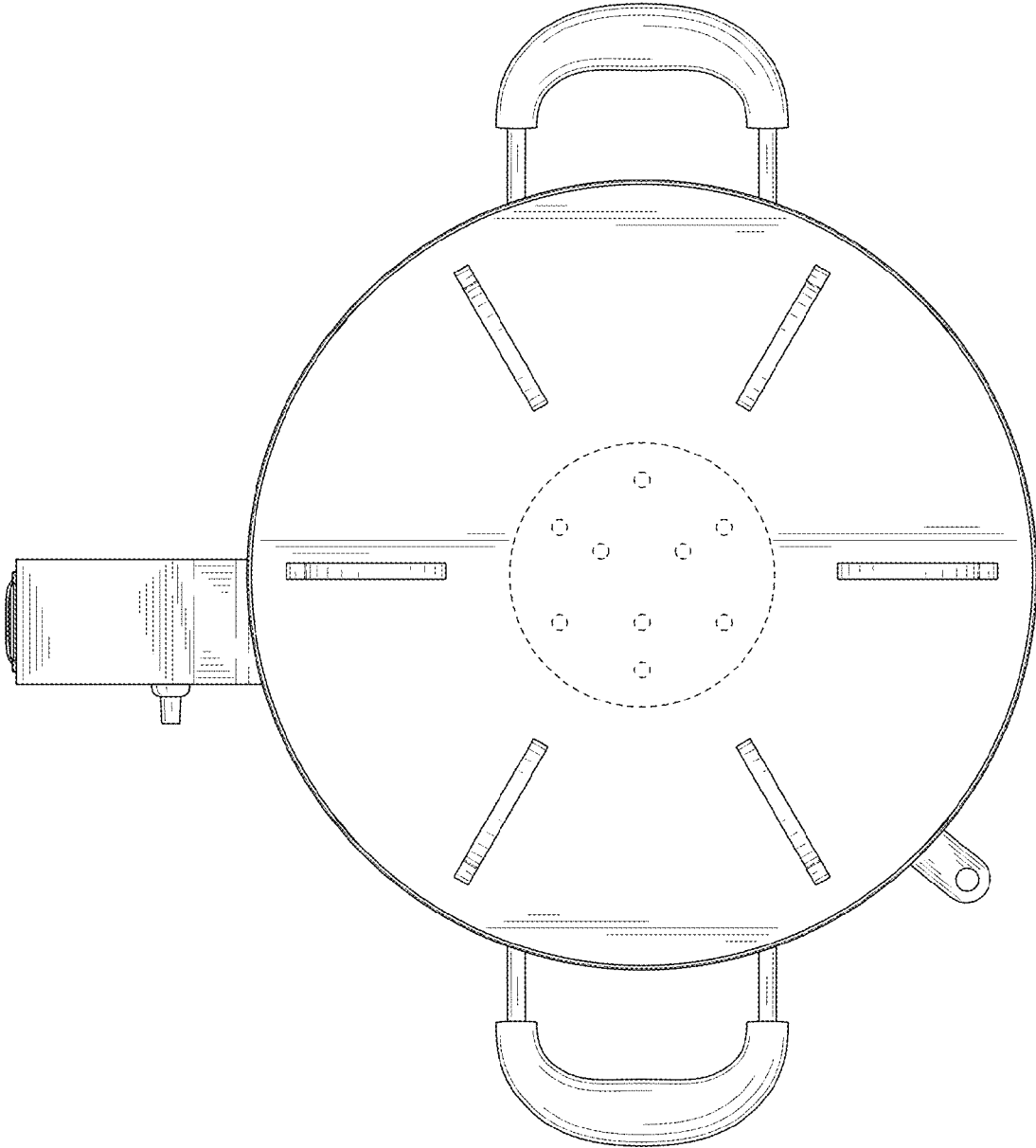


FIG. 7

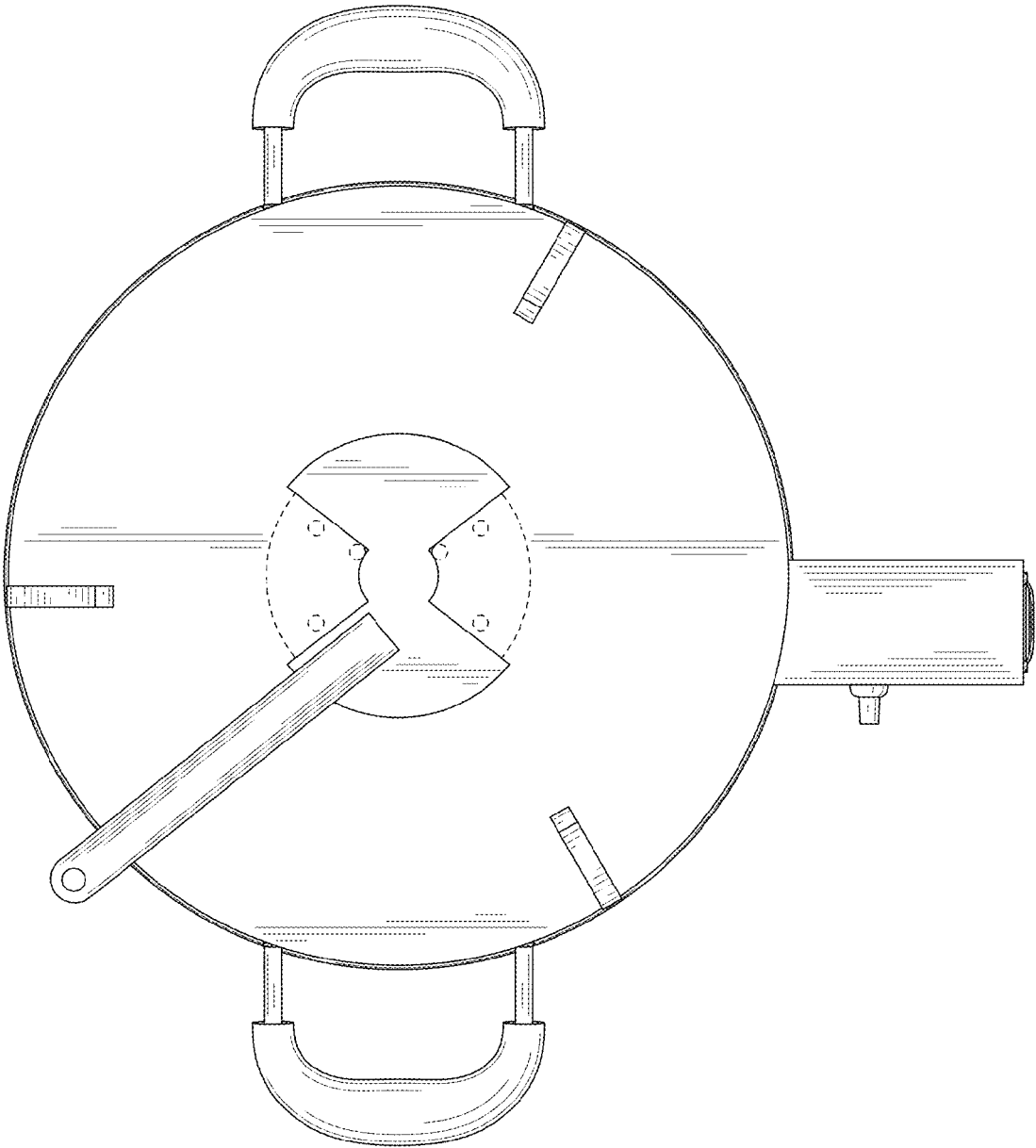


FIG. 8

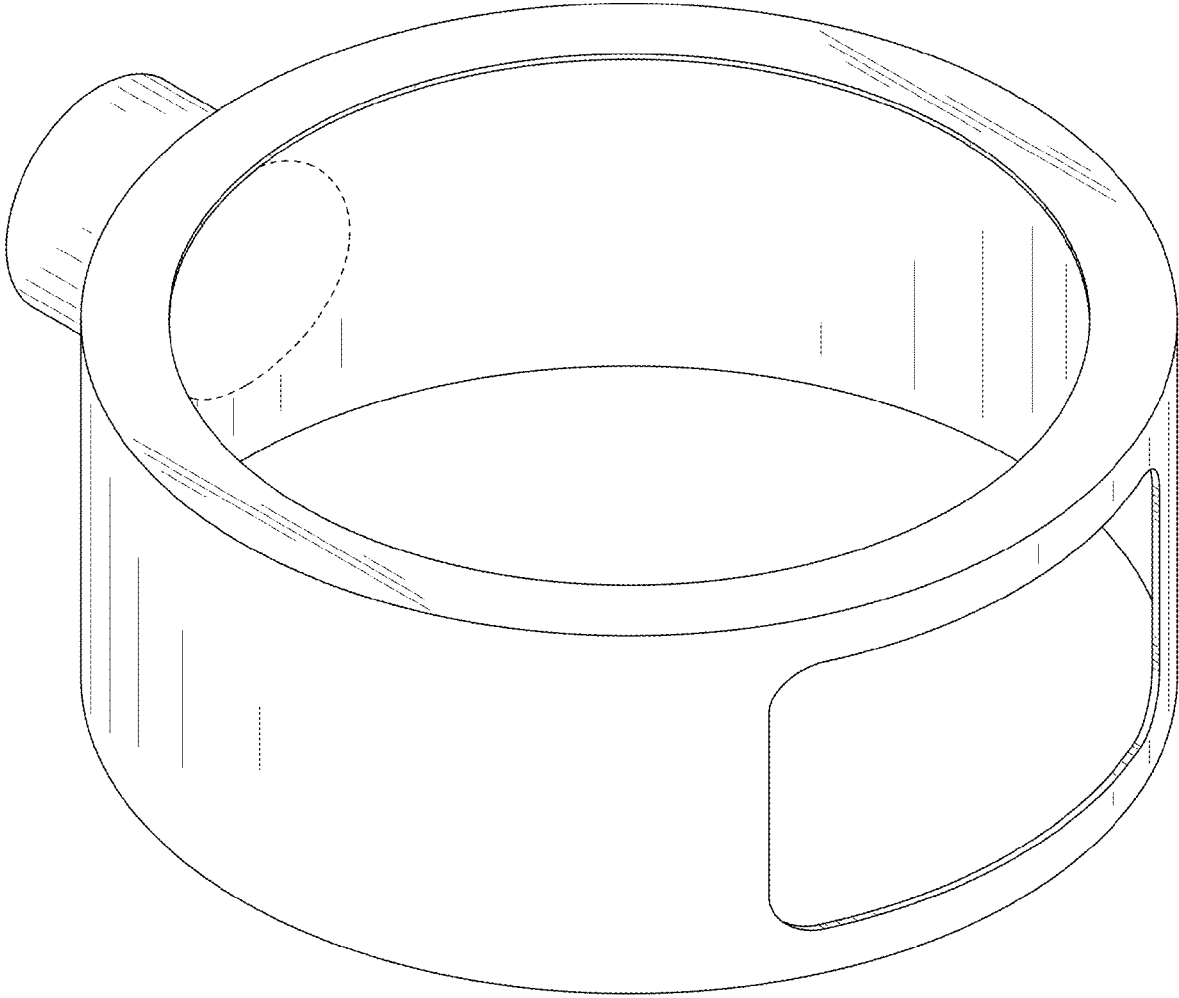


FIG. 9

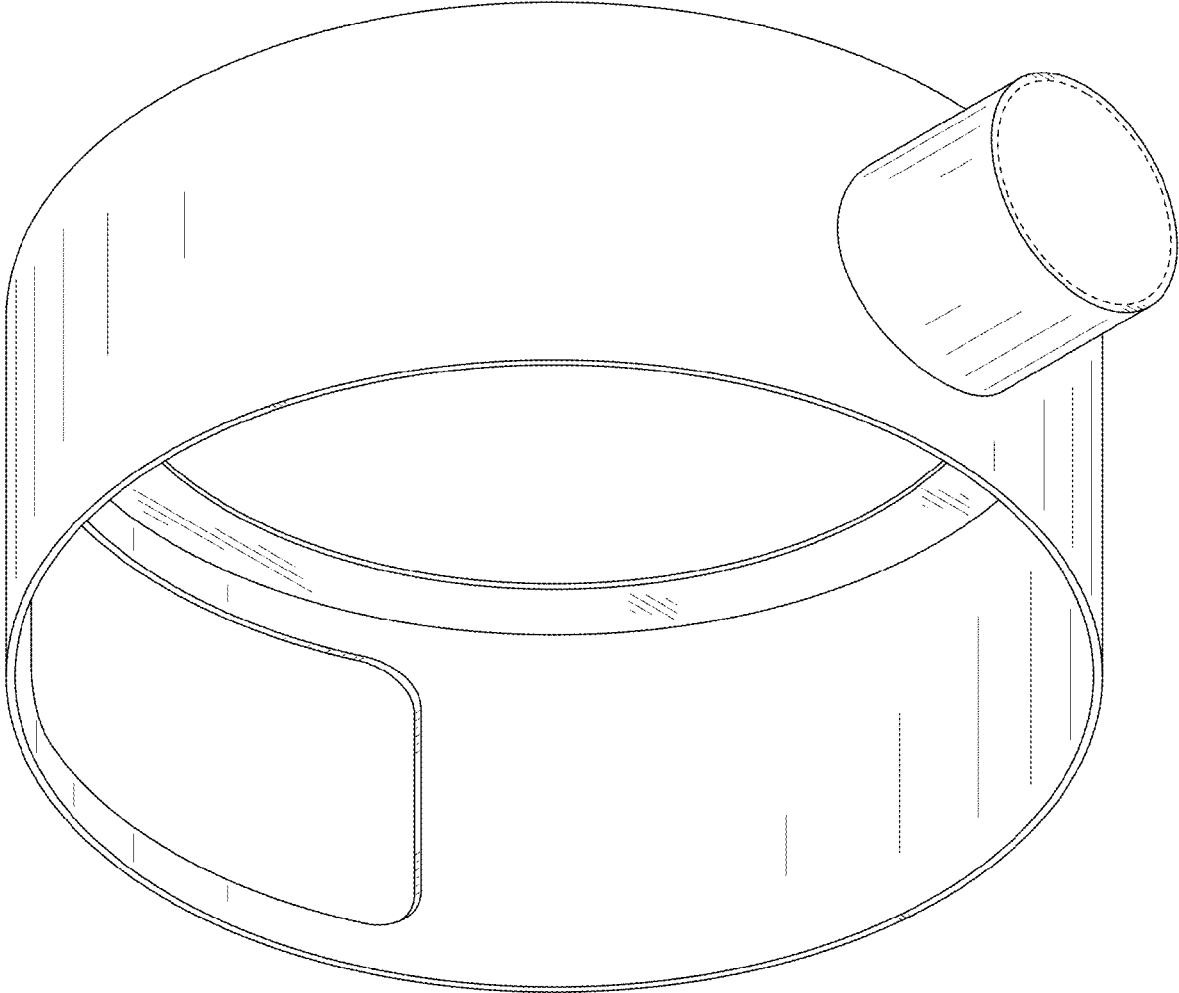


FIG. 10

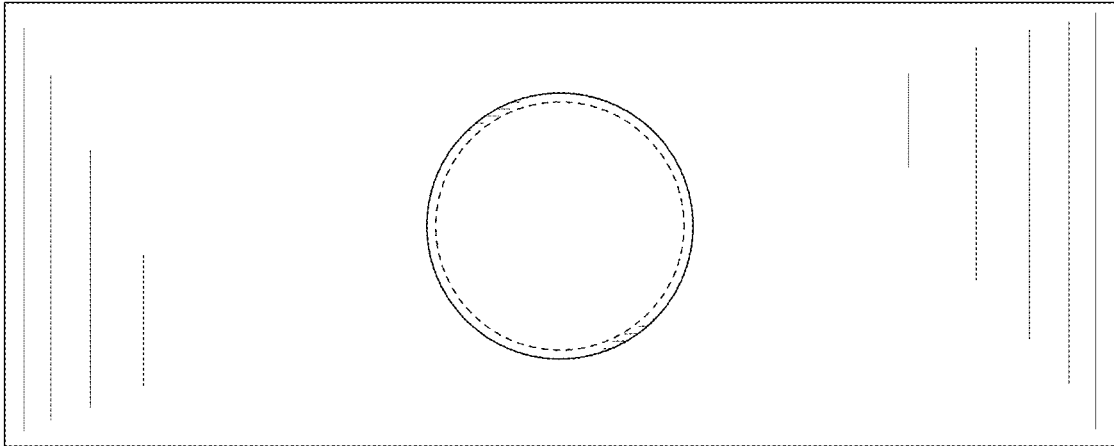


FIG. 11

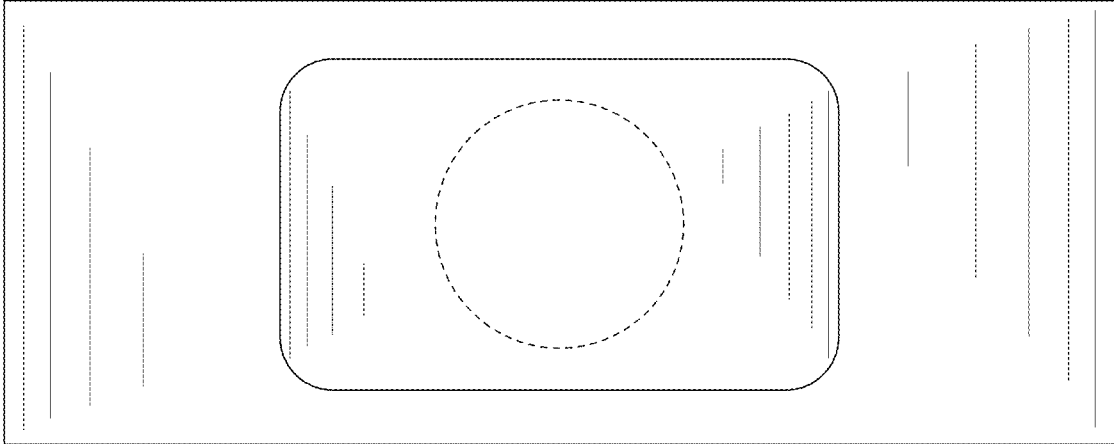


FIG. 12

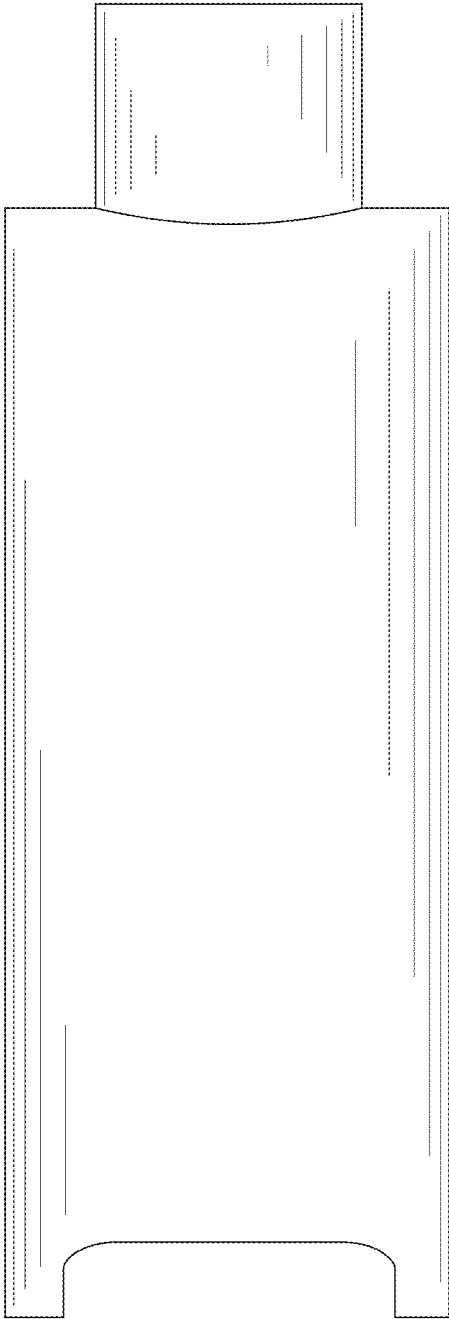


FIG. 13

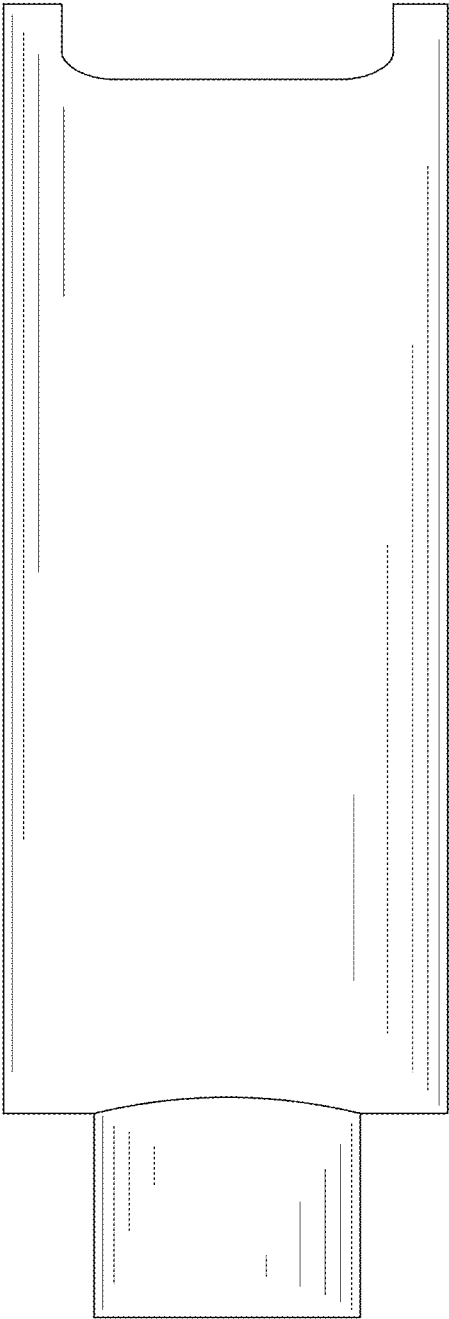


FIG. 14

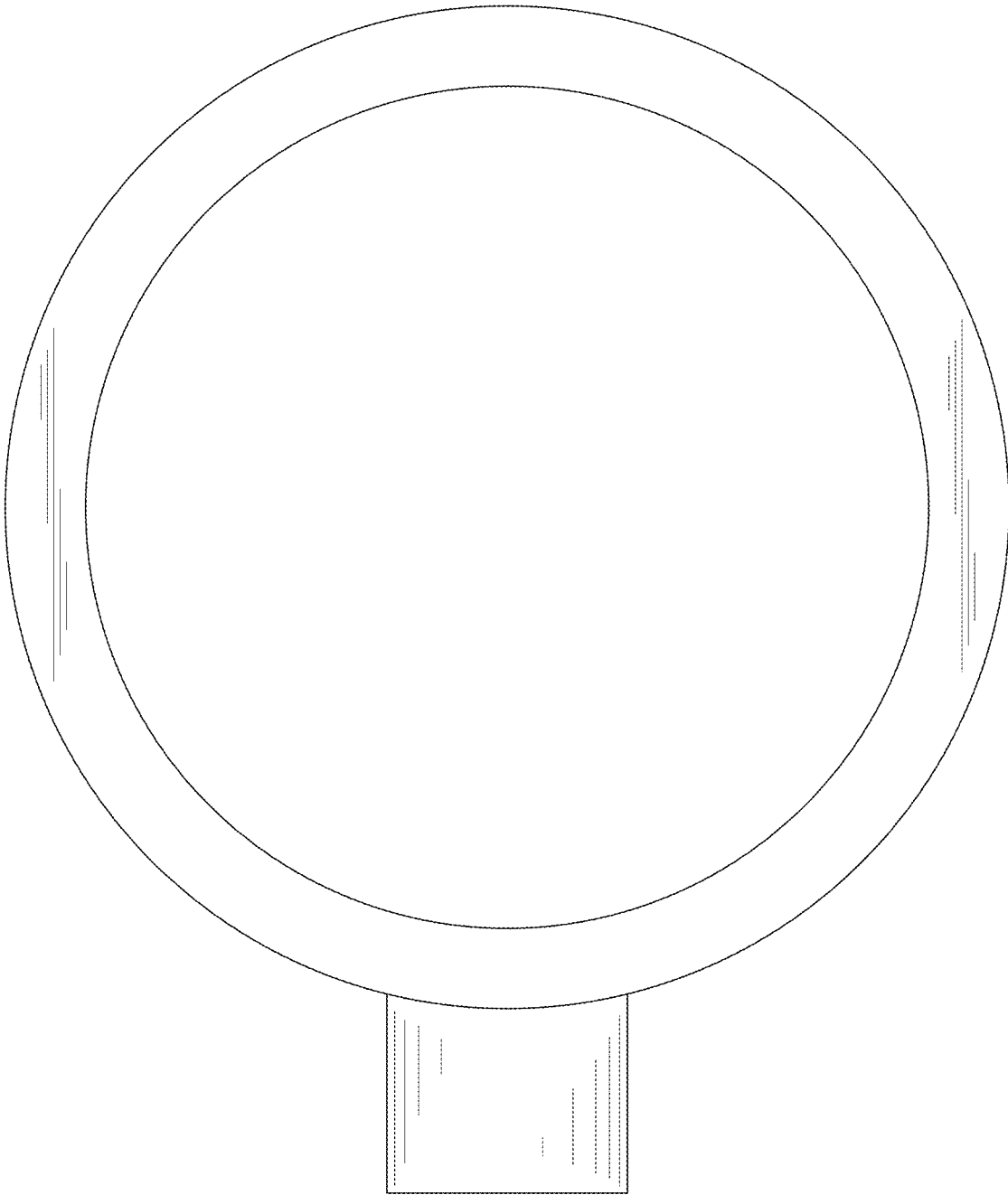


FIG. 15

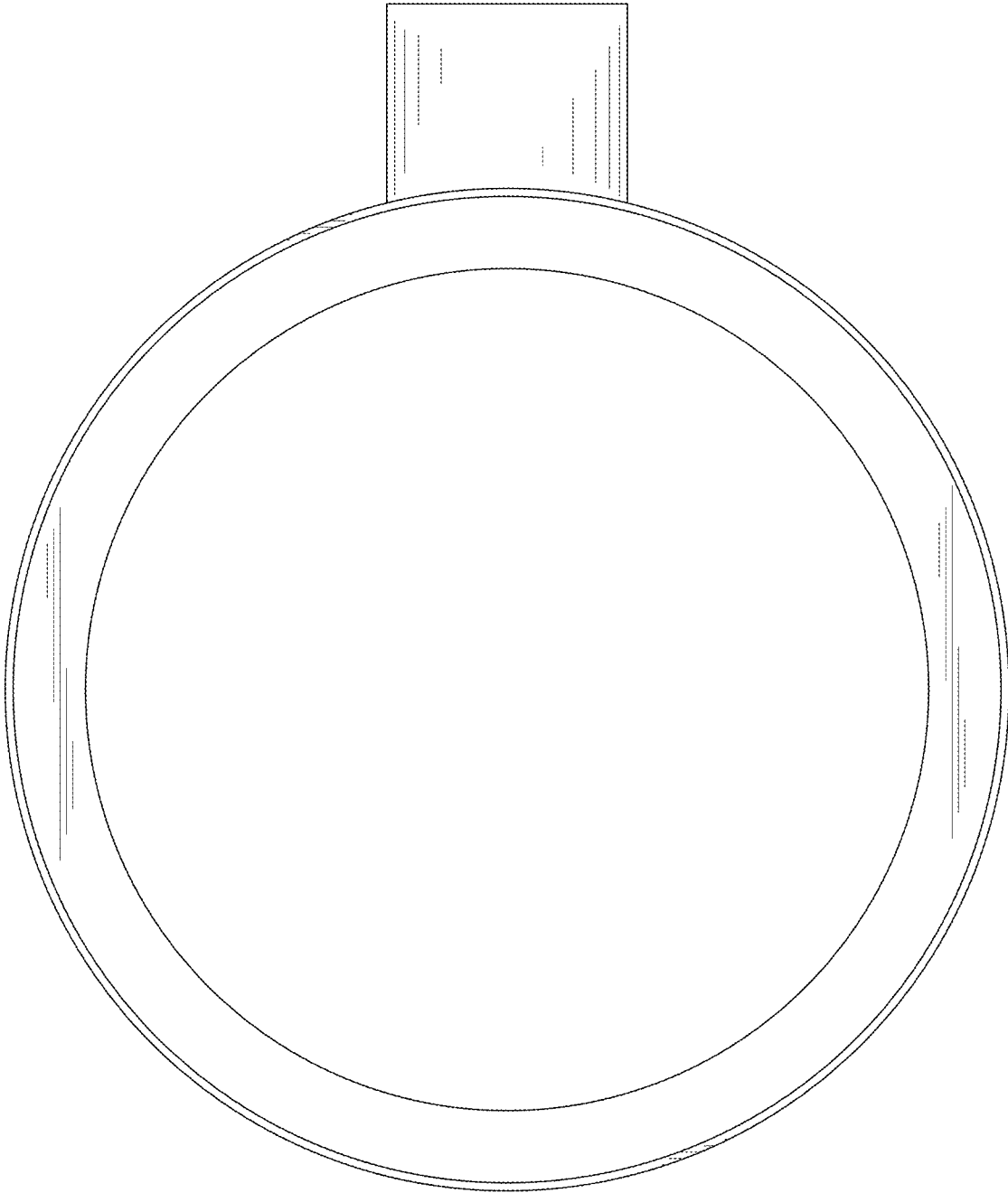


FIG. 16

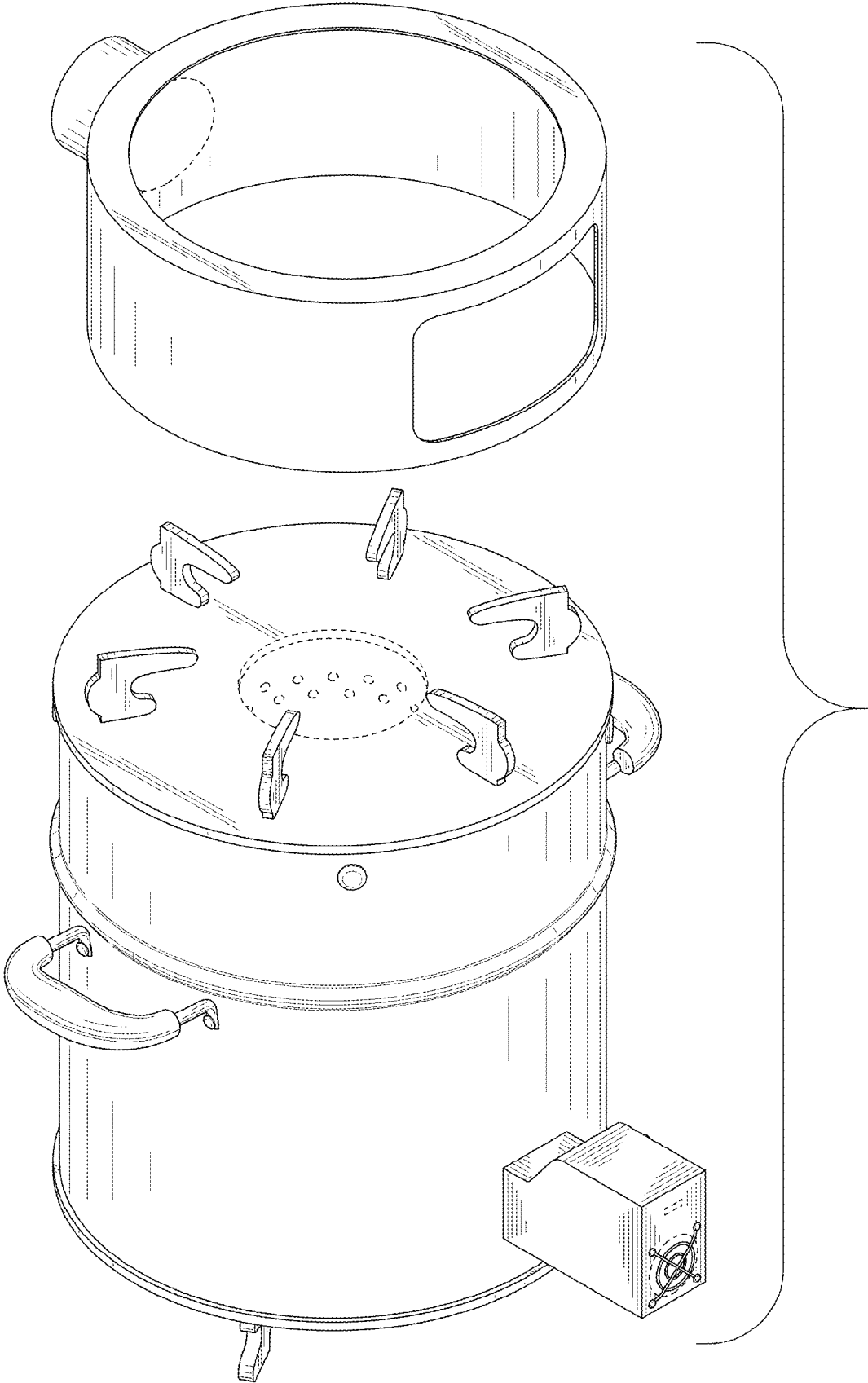


FIG. 17