



US00D736917S

(12) **United States Design Patent**  
**Katsura**

(10) **Patent No.:** **US D736,917 S**

(45) **Date of Patent:** **\*\* Aug. 18, 2015**

(54) **OPERATION HANDLE FOR A MEDICAL MANIPULATOR DEVICE**

(71) Applicant: **TERUMO KABUSHIKI KAISHA,**  
Tokyo (JP)

(72) Inventor: **Hideki Katsura,** Tokyo (JP)

(73) Assignee: **KARL STORZ GmbH & Co. KG,**  
Tuttlingen (DE)

(\*\*) Term: **14 Years**

(21) Appl. No.: **29/481,642**

(22) Filed: **Feb. 7, 2014**

(30) **Foreign Application Priority Data**

Aug. 30, 2013 (JP) ..... 2013-020092

(51) **LOC (10) Cl.** ..... **24-02**

(52) **U.S. Cl.**  
USPC ..... **D24/133; D24/108**

(58) **Field of Classification Search**  
USPC ..... D24/133, 153, 143, 144, 146, 147, 148,  
D24/145, 132, 108; D8/51, 52, 54; 606/45,  
606/51, 41, 1, 46, 40, 167, 174, 277, 324,  
606/120, 147, 151, 205, 206, 207  
See application file for complete search history.

(56) **References Cited**

**U.S. PATENT DOCUMENTS**

5,184,625	A *	2/1993	Cottone et al. ....	600/564
D478,986	S *	8/2003	Johnston et al. ....	D24/133
6,620,161	B2 *	9/2003	Schulze et al. ....	606/51
D575,395	S *	8/2008	Hushka ..... ..	D24/133
D628,290	S *	11/2010	Romero ..... ..	D24/133

D665,909	S *	8/2012	Dodd et al. ....	D24/146
D673,683	S *	1/2013	McCormack et al. ....	D24/171
D700,324	S *	2/2014	Affonce et al. ....	D24/144
D708,744	S *	7/2014	Morris et al. ....	D24/144
D708,746	S *	7/2014	Cabrera et al. ....	D24/145
D717,431	S *	11/2014	Cardinale et al. ....	D24/133
D723,686	S *	3/2015	Kratoska et al. ....	D24/144
2009/0030414	A1 *	1/2009	Bayat ..... ..	606/51
2009/0088738	A1 *	4/2009	Guerra et al. ....	606/41
2011/0071523	A1 *	3/2011	Dickhans ..... ..	606/45
2011/0190765	A1 *	8/2011	Chojin ..... ..	606/41

\* cited by examiner

*Primary Examiner* — Ian Simmons

*Assistant Examiner* — Samantha Q Lawrence

(74) *Attorney, Agent, or Firm* — Muncy, Geissler, Olds & Lowe, P.C.

(57) **CLAIM**

The ornamental design for an operation handle for a medical manipulator device, as shown and described.

**DESCRIPTION**

FIG. 1 is a front perspective view of an operation handle for a medical manipulator device showing my new design;  
FIG. 2 is a rear perspective view thereof;  
FIG. 3 is a front view thereof;  
FIG. 4 is a rear view thereof;  
FIG. 5 is a left side view thereof;  
FIG. 6 is a right side view thereof;  
FIG. 7 is a top plan view thereof; and,  
FIG. 8 is a bottom view thereof.

The end portion of the operation handle for a medical manipulator device is shown with a symbolic break in its length. The appearance of any portion of the article between the break lines forms no part of the claimed design.

**1 Claim, 6 Drawing Sheets**

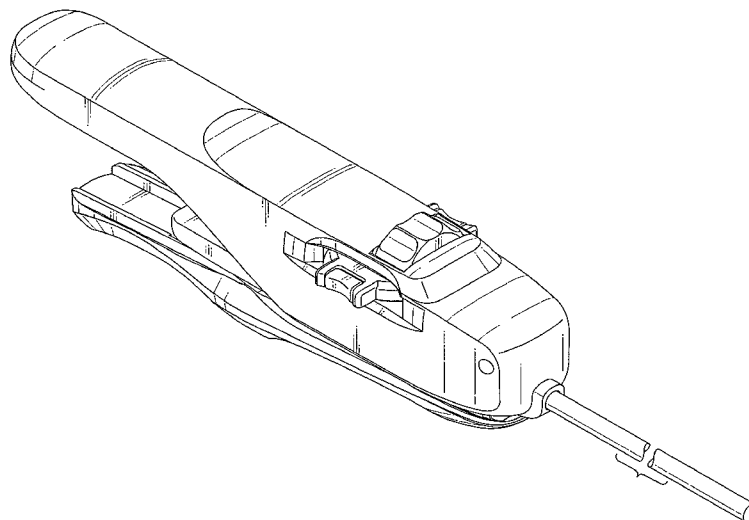
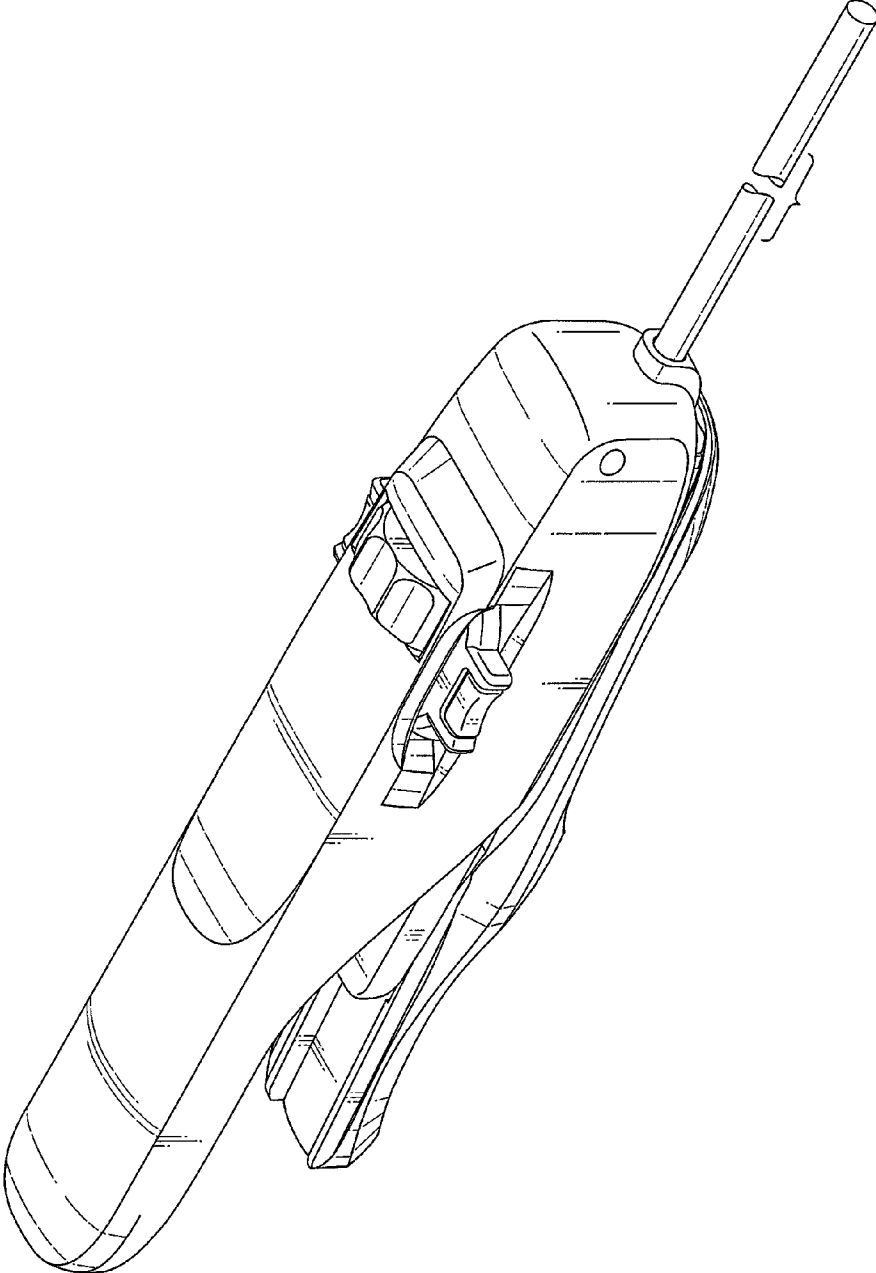


Fig. 1



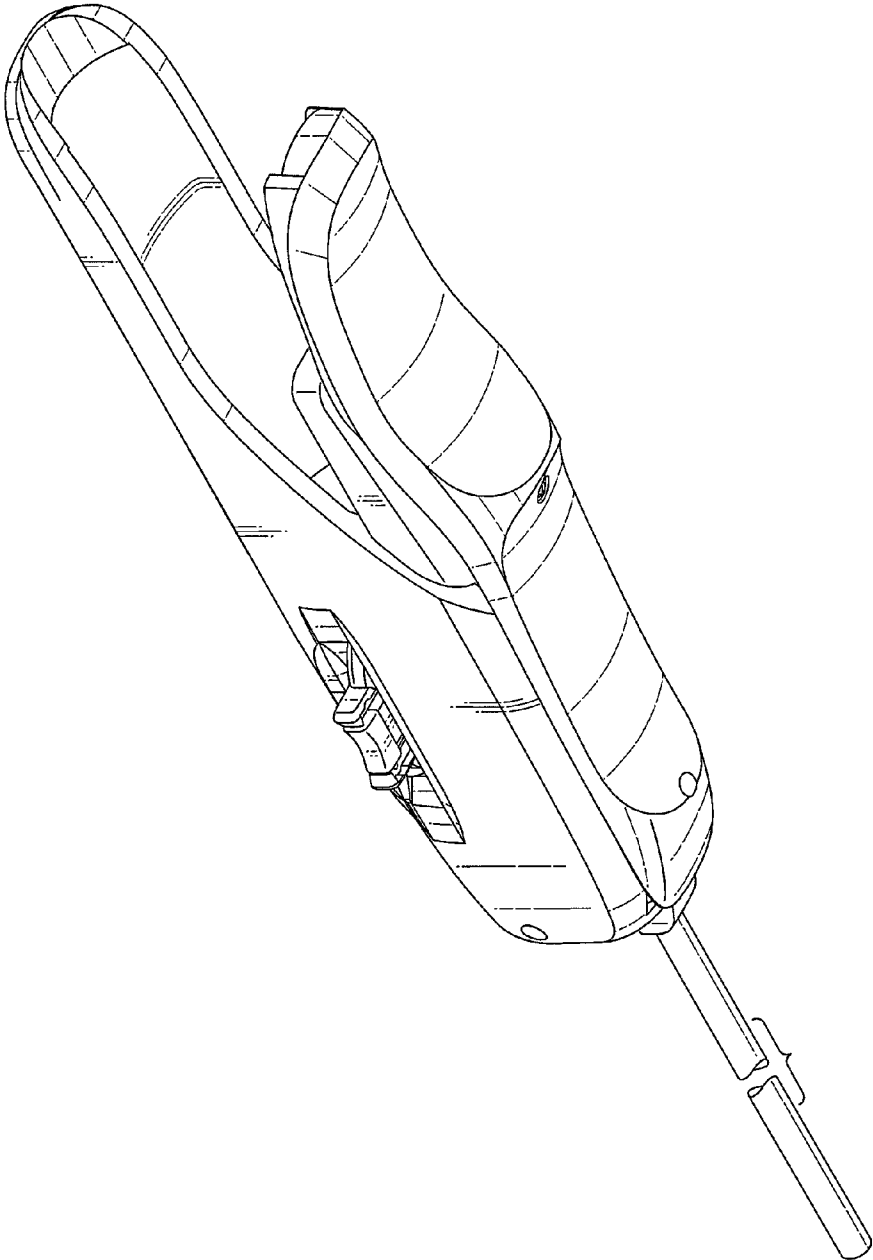


Fig. 2

Fig. 3

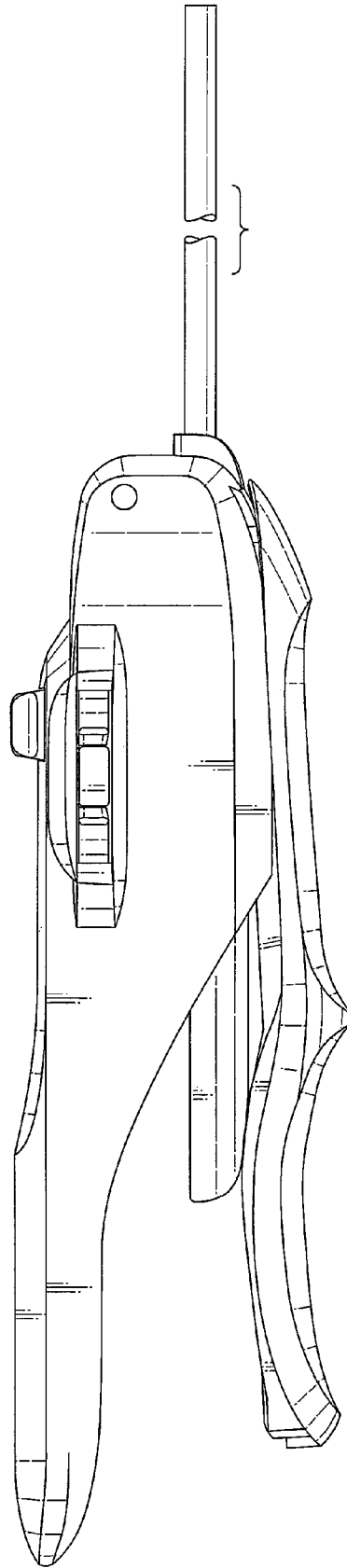


Fig. 4

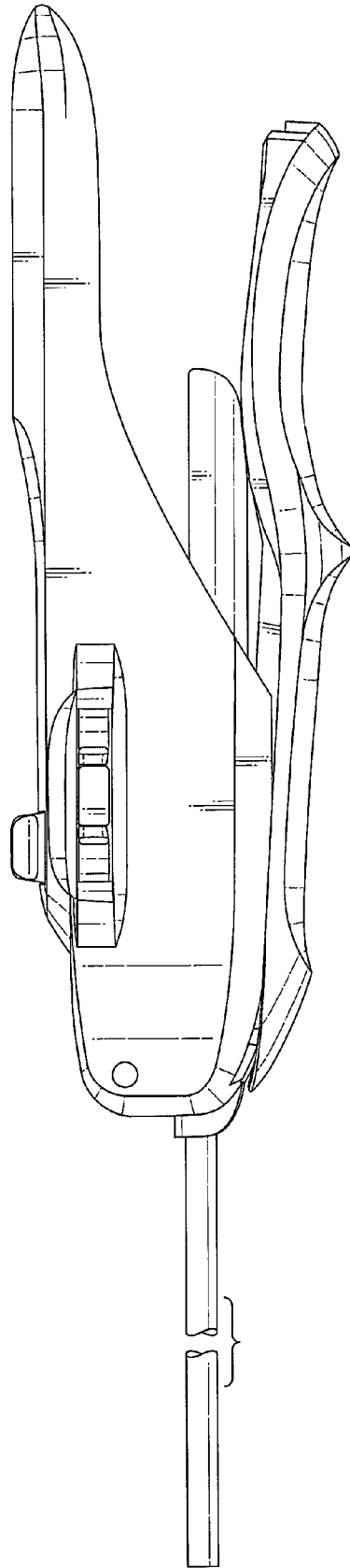


Fig. 6

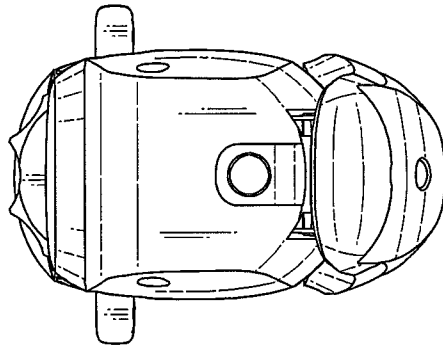


Fig. 5

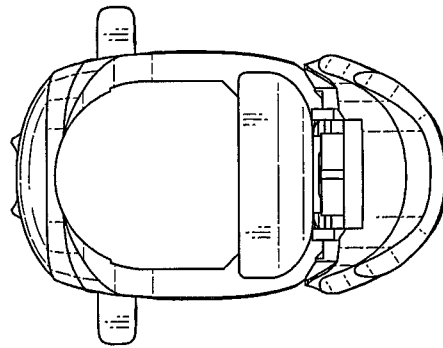


Fig. 7

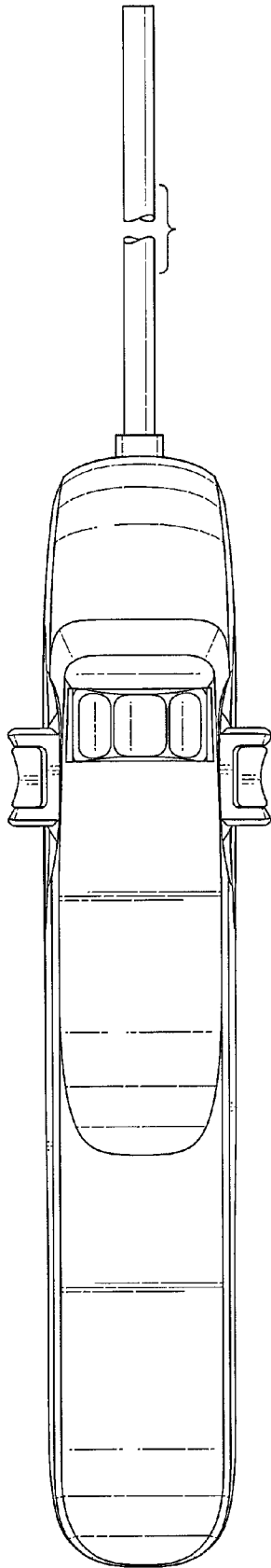


Fig. 8

