

REPUBLIC OF SOUTH AFRICA

PATENTS ACT, 1978

PUBLICATION PARTICULARS AND ABSTRACT

(Section 32(3)(a) – Regulations 22(i)(a) and 31)

OFFICIAL APPLICATION NO.		LOGGING DATE	ACCEPTANCE DATE		
21	01	2006/05370	23	29 June 2006	
			43	14-09-2007	
INTERNATIONAL CLASSIFICATION			NOT FOR PUBLICATION		
51	B65B, B65D		CLASSIFIED BY :		
FULL NAME(S) OF APPLICANT(S)					
71	S2F FLEXICO				
FULL NAME(S) OF INVENTOR(S)					
72	DOUE, Philippe				
EARLIEST PRIORITY CLAIMED		COUNTRY	NUMBER	DATE	
NOTE : the country must be indicated by its International Abbreviation – see Schedule 4 of the Regulations		33	FR	31	0314276
				32	4 December 2003
TITLE OF INVENTION					
54	PACKAGING BAG FOR NAPPIS, FOR EXAMPLE, AND PRODUCTION MACHINE AND METHOD				
57	ABSTRACT (NOT MORE THAN 150 WORDS)		NUMBER OF PAGES	22	

FOR ABSTRACT SEE THE NEXT SHEET

2005/056405 A1

(12) DEMANDE INTERNATIONALE PUBLIÉE EN VERTU DU TRAITÉ DE COOPÉRATION EN MATIÈRE DE BREVETS (PCT)

(19) Organisation Mondiale de la Propriété Intellectuelle
Bureau international



(43) Date de la publication internationale
23 juin 2005 (23.06.2005)

PCT

(10) Numéro de publication internationale
WO 2005/056405 A1

(51) Classification internationale des brevets :
B65D 33/00, 33/24, 33/25, B65B 61/18, B65D 30/20

Philippe [FR/FR]; Résidence St. Georges, Appartement 5, 2, rue Charles Faroux, F-60200 Compiègne (FR).

(21) Numéro de la demande internationale :
PCT/FR2004/003179

(74) Mandataires : MARTIN, Jean-Jacques etc.; Cabinet Regimbeau, 20, rue de Chazelles, F-75847 Paris Cedex 17 (FR).

(22) Date de dépôt international :
3 décembre 2004 (03.12.2004)

(81) États désignés (sauf indication contraire, pour tout titre de protection nationale disponible) : AE, AG, AL, AM, AT, AU, AZ, BA, BB, BG, BR, BW, BY, BZ, CA, CH, CN, CO, CR, CU, CZ, DE, DK, DM, DZ, EC, EE, EG, ES, FI, GB, GD, GE, GH, GR, HR, HU, ID, IL, IN, IS, JP, KE, KG, KP, KR, KZ, LC, LK, LR, LS, LT, LU, LV, MA, MD, MG, MK, MN, MW, MX, MZ, NA, NI, NO, NZ, OM, PG, PH, PL, PT, RO, RU, SC, SD, SE, SG, SK, SL, SY, TJ, TM, TN, TR, TT, TZ, UA, UG, US, UZ, VC, VN, YU, ZA, ZM, ZW.

(25) Langue de dépôt : français

(26) Langue de publication : français

(30) Données relatives à la priorité :
0314276 4 décembre 2003 (04.12.2003) FR

(84) États désignés (sauf indication contraire, pour tout titre de protection régionale disponible) : AR, AU, BW, GH, GM, KE, LS, MW, MZ, NA, SD, SL, SZ, TZ, UG, ZM,

(71) Déposant (pour tous les États désignés sauf US) : S2F FLEXICO [FR/FR]; 1, route de Méru, F-60119 Henonville (FR).

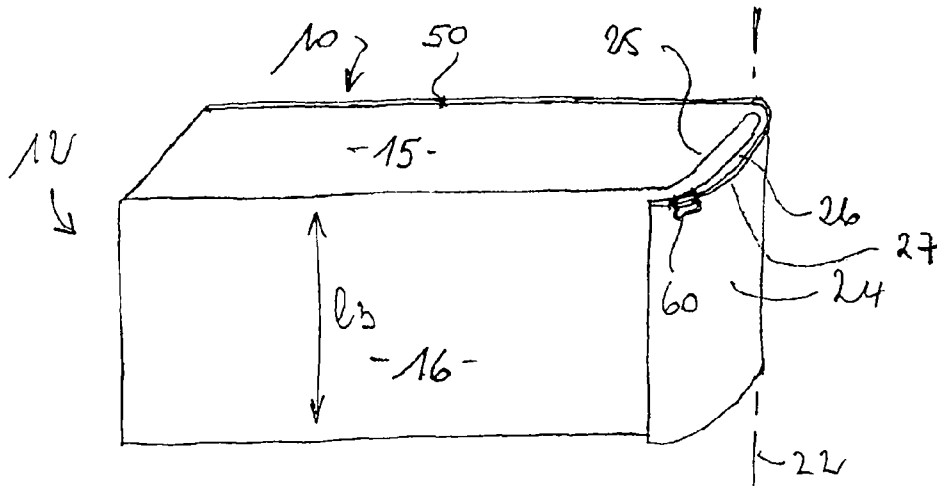
(72) Inventeur; et

(75) Inventeur/Déposant (pour US seulement) : DOUE,

[Suite sur la page suivante]

(54) Title: PACKAGING BAG FOR NAPPIES, FOR EXAMPLE, AND PRODUCTION MACHINE AND METHOD

(54) Titre : SACHET D'EMBALLAGE, NOTAMMENT POUR COUCHE DE BEBES, PROCÉDÉ ET MACHINE DE FABRICATION



(57) Abstract: The invention relates to a packaging bag comprising at least one gusset (24, 28) which is folded against one face of the bag body (10) and which is held in position by means of a removable linking element (30, 32). The invention is characterised in that the bag also comprises an element (50) which is designed to ensure that the bag can be opened and reclosed, which extends transversely to the fold line (22) of the gusset and which covers the entire width of said gusset (24, 28) and at least a substantial part of the bag body.

[Suite sur la page suivante]

WO 2005/056405 A1

PACKAGING BAG FOR NAPPIES, FOR EXAMPLE, AND PRODUCTION MACHINE AND
METHOD

This present invention concerns the area of packaging
5 bags. More precisely, this present invention concerns the area
of packaging bags that include opening/closure resources that
are capable of multiple successive openings and closures for
example, and that take the form of complementary extrusions
though not limited to these.

10 Document EP-A-1 321 381 illustrates one example of a
known packaging bag, which is suitable for multiple successive
openings and closures. This bag includes a gusset which is
folded back onto itself and held in this position by a
detachable element, allowing single or multiple use as
15 required. It also includes a second element to provide for re-
closeable opening, placed at the end of the gusset.

Though promising, the packaging bag described in document
EP-A-1 321 381 had not experienced the commercial success
expected.

20 The objective of this present invention is to perfect the
known bags. A particular objective of this present invention
is to propose bags that are intended to receive contents that
are packed under high pressure, such as baby nappies or
equivalent, while still allowing easy access to the contents
25 after removing a first article.

This objective is attained in the context of this present
invention, by means of a packaging bag that includes at least
one gusset which is folded back against one face of the bag
body, and held in this position by a detachable connecting
30 element, characterised by the fact that it also includes an
element designed to allow re-closeable opening, which lies

across the fold line of the gusset and covers the full width of the gusset and at least a substantial part of the bag body.

On reading the following detailed description, the professional engineer will understand that the bag according to this present invention, in particular, by virtue of the specific arrangement of the element used to effect the re-closeable opening action, allows easy access to all the contents of the bag, while the bags of previous design as described in document EP-A-1 321 381 provide only limited access via the straight section of the gusset.

According to another advantageous characteristic of this present invention, the element designed to provide for re-closeable opening covers all of the bag body.

According to another advantageous characteristic of this present invention, the bag includes two gussets folded against faces of the bag body that are diametrically opposite, and held in this position by respective detachable connecting elements.

According to another advantageous characteristic of the invention, the element designed to provide for re-closeable opening includes a closure element which is suitable for multiple openings and closures.

According to another advantageous characteristic of this present invention, the bag includes resources that prevent the closure element, which is suitable for multiple openings and closures, from being stressed by the contents of the bag when the said at least one gusset is held folded back by the detachable connecting element.

This present invention also concerns a process for the creation of a bag, which includes stages designed to fit the gusset of a bag, an element designed to provide for re-

closeable opening which extends across the fold line of the gusset and covers the full width of the gusset and at least a substantial part of the bag body, to fold the gusset formed in a bag body back onto itself and to hold the gusset in this position by means of a detachable connecting element.

This present invention also concerns a device for the manufacture of bags that include resources suitable for fitting the gusset of a bag, an element designed to provide for re-closeable opening, which lies across the fold line of the gusset and covers the full width of the gusset and at least a substantial part of the bag body, resources capable of folding back onto itself the gusset formed in the bag body, and resources that are able to generate a detachable connection that is capable of holding the gusset in this position.

Other characteristics, aims and advantages of this present invention will appear on reading the detailed description that follows, with reference to the appended drawings, which are provided by way of non-limited examples and in which:

- figure 1 schematically represents a view in perspective of a packaging bag according to this present invention before formation of the folded gusset,
- figure 2 provides a schematic view in perspective of the same bag after folding of the gusset,
- figure 3 schematically represents the same bag after opening of the re-closeable opening element to provide access to the contents of the bag,
- figures 4 and 5 represent views that are respectively similar to those of the aforementioned figures 1 and 2, before and after closure, of a bag according to one

implementation variant of this present invention, which includes two gussets folded on diametrically opposite faces of the bag,

- figure 6 represents a view in cross-section of a closure assembly according to this present invention, equipped with a slide,

- figures 7 and 8 show other variants according to this present invention.

The attached figures 1 and 2 show a bag according to the present invention, at two successive stages of its manufacture.

As shown in figure 1, originally the bag of this present invention includes a bag body 10 of generally tubular shape having a aperture for an opening 12 and a bottom 14 at the other end. Preferably, the bag body 10 is outlined by four main mutually-orthogonal walls. Its section is thus generally square or rectangular. Two of these walls are illustrated in figure 1 with the references 15 and 16. The two additional walls are respectively parallel and perpendicular to each of these two walls 15 and 16.

The walls of the bag can be the subject of many methods of implementation.

The walls are preferably made from a thermoplastic material.

These walls can be mono or multi-layer, and mono or multi-material. Where appropriate, it can concern a paper base covered with a layer of thermoplastic material, or again with a metallised thermoplastic layer.

The bag 10 can be created from a single sheet or several sheets, such as two sheets welded together at their edges,

preferably along one of the edges connecting the main walls, such as the edge common to walls 15 and 16.

As mentioned previously, in the context of this present invention, one part 20 of the bag body 10, here adjacent to the bottom 14, is folded back onto itself in the form of a gusset. The part 20 of the bag 10 folded in the form of a gusset has a length l_1 that is more or less equal to twice the width l_2 of the bag. The aforementioned lengths l_1 and width l_2 of the bag are assumed to be perpendicular to the fold line 22 of the gusset.

The aforementioned folding operation is indicated by an arrow, referenced P, in figure 1. The gusset thus obtained from the bottom 14 is referenced 24 in figure 2.

As can be seen in figure 2, the gusset 24 thus preferably covers the whole section of the bag so that after creation of the gusset 24 at the bottom, the bag 10 has a triple thickness in the form of layers referenced 25, 26 and 27 in figure 2.

The gusset 24 is held in this position by a detachable connecting element. The latter can be the subject of many implementation variants.

According to a first method of implementation, the aforementioned detachable connecting element can be formed from a self-adhesive strip. Such a self-adhesive strip can be provided on the end of the bag and on the gusset, in the form of the strip referenced 30 in figure 1, or again on one of the walls 16 of the bag, intended to receive the end of the gusset, in the form of the strip referenced 32 in figure 1, or again of two complementary self-adhesive strips corresponding to the two strips 30 and 32 shown in figure 1. (These two strips 30 and 32 being brought into contact during the folding of the gusset 24).

The aforementioned strips 30 and/or 32 lie parallel to the fold line 22 of the gusset, more or less over the full height 13 of the bag, with the said height 13 being assumed to be parallel to the fold line 22.

5 According to another implementation variant, the detachable connection resource can be formed from complementary elements located respectively at the
10 aforementioned strips 30 and 32 shown in figure 1, that is one on the end of the bag coincident with the end of the gusset 24 and the other at a wall 16 of the bag body intended to receive the end of the aforementioned gusset 24.

By way of a non-limited example, such complementary elements can be formed from complementary structures of the
15 "velcro" type or again from complementary male/female extrusions, or even from complementary hooked structures (possibly operated by a slide).

Such connection elements are well known to the professional engineer and will therefore not be described in detail in what follows .

20 In the context of this present invention, the bag also includes at least one closure element, which is suitable for multiple openings and closures. Such a closure assembly is referenced 50 in the attached figures.

As has been indicated previously, in the context of this
25 present invention, this element 50 designed to provide for re-closeable opening, extends across the fold line 22 of the gusset and covers the full width of the gusset and at least a substantial part of the bag body. It thus provides easy access to all the contents of the bag.

30 Preferably, the bag includes resources that prevent the closure element 50 from being stressed by the contents of the

bag when the gusset is held folded back by a connection element 30, 32.

By way of a non-limited example, the closure assembly 50 is preferably provided on one edge of a gusset, across the
5 fold line 22.

The closure assembly 50 can itself be the subject of many variants, it can be a self-stick element, complementary elements of the "velcro" type, complementary elements of the male/female type, or again complementary elements of the
10 hooked type.

Attached figure 6 shows an advantageous variant of this present invention in which the closure element 50 is thus formed from two complementary extrusions 52, 54 that respectively include an element 53 of the male type and a
15 complementary element 55 of the female type.

All of these resources are well known to the professional engineer. They will therefore not be described in detail in what follows.

Where appropriate, these opening/closure resources making
20 up element 50 can be operated by a slide 60.

Such a slide has been shown in diagrammatic form in the attached figure 6. Here again, it can be the subject of many methods of implementation.

Such a slide 60 preferably includes a base 62 which
25 carries two lateral cheeks 64, 65 and a low central wall 66 forming between them two non-parallel channels 67, 68 respectively accommodating at least the top of one of the two support webs 52, 54 of the said at least one closure element 50 so that, depending on the direction of movement of the
30 slide 60, the latter forces the element 50 to open or to close respectively. Where appropriate, though this arrangement is

not imperative, the low central wall 66 can enter between the complementary extrusions 53, 55.

Once the gusset 24 located at the bottom 14, folded back and held by the associated connection resources 30 and 32, the bag 10 can be filled under pressure in a conventional manner via the aperture 12 and then closed off at the aperture 12 by any appropriate conventional means.

In use, in order to provide access to the contents of the bag, it is necessary only to break the connection element 30, 32, in order to deploy the gusset 24. The bag then returns to a geometry that is close to that illustrated in Figure 1. It is then possible to open the element 50, as illustrated in figure 3, to gain easy access to the contents C of the bag, a set of baby nappies for example, even though the latter have been packed under pressure in an originally sealed bag 10.

In particular, this present invention can be applied in order to facilitate access to baby nappies, for example.

Figures 4 and 5 show an implementation variant in which the bag has two gussets 24 and 28 folded on diametrically opposite faces of the bag, namely respectively a bottom part and the mouth aperture part 21. Of course it is necessary in this case to provide retention resources 30, 32, similar to those previously described, associated with the gusset 28 formed on the aperture.

This present invention also has the advantage of stiffening the ends of the bags or containers 10, in particular at the bottom. In fact as can be seen in figures 2 and 5, the bottom of the bag has three thicknesses 25, 26, 27. This also applies to the aperture, in the event that the bag has two gussets. This is extremely useful for positioning on a shelf at the point of sale.

Of course this present invention is not limited to the particular methods of implementation have just been described, but extends to any variant that complies with its spirit.

5 During the closure of the bag, the slide 60 can be placed on the gusset as illustrated in figures 2 and 5, or away from the gusset, as illustrated in figure 7.

10 In the context of this present invention, the detachable connection resources 30, 32, and the closure element 50 can be made from the material of the film comprising the wall of the bag, during the manufacture of this film, or again can be formed initially from separate elements that are attached, by welding for example, onto the film making up the bag.

15 According to the methods of implementation previously described, the gussets 24 and 28, respectively provided at the bottom 14 and the aperture 12, lie in a plane that is generally perpendicular to the direction of introduction of the contents into the bag 10 via the aperture 12.

20 On the other hand, according to the variants illustrated in figures 7 and 8, the gussets 24 and 28 lie in a plane that is generally parallel to the direction of introduction of the contents into the bag 10 via the aperture 12. To this end, according to figures 7 and 8, the gussets 24 and 28 are folded onto themselves against one of the faces surrounding the opening aperture 12.

25 As can be seen in figure 7, according to a variant of the invention, each gusset 24 or 28 can cover only part of the area of the wall of the bag body 10 against which the said gussets 24 and 28 are folded. This variant in which the gussets 24 and 28 cover only part of the section of the bag can apply any of the methods of implementation of the invention.

CLAIMS

1. A packaging bag that includes at least one gusset folded back against a face of the bag body and held in this position by a detachable connecting element, characterised by the fact that it also includes a closure element designed to provide for re-closeable opening and which extends across the fold line of the gusset and covers the full width of the gusset and at least a substantial part of the bag body.

2. A bag according to claim 1, characterised by the fact that the closure element is designed to provide for re-closeable opening and covers the whole bag body.

3. A bag according to one of claims 1 or 2, characterised by the fact that it includes two gussets folded against diametrically opposite faces of the bag body and held in this position by detachable connecting elements.

4. A bag according to one of claims 1 to 3, characterised by the fact that it includes resources that prevent the closure element which is suitable for multiple openings and closures from being subjected to force by the contents of the bag when the said at least one gusset is held folded back by the detachable connecting element.

5. A bag according to one of claims 1 to 4, characterised by the fact that the closure element is suitable for effecting multiple openings and closures.

6. A bag according to one of claims 1 to 5, characterised by the fact that the detachable connecting element includes at least one self-adhesive strip.

7. A bag according to one of claims 1 to 5, characterised by the fact that the detachable connecting element includes complementary elements of the "velcro" type.

8. A bag according to one of claims 1 to 5, characterised by the fact that the detachable connecting element includes two extrusions that have complementary elements of the male/female hooked type.

5 9. A bag according to claim 8, characterised by the fact that the detachable connecting element is operated by a slide.

10 10. A bag according to one of claims 1 to 9, characterised by the fact that the closure element includes a self-stick element.

11. A bag according to one of claims 1 to 9, characterised by the fact that the closure element includes an element of the "velcro" type.

12. A bag according to one of claims 1 to 9, characterised by the fact that the closure element includes two complementary 15 extrusions of the male, female or hooked type.

13. A bag according to claim 12, characterised by the fact that the closure element is operated by a slide.

14. A bag according to one of claims 1 to 13, characterised by the fact that the detachable connecting element 20 includes a strip located on the end of the gusset, parallel to the fold line of the gusset and more or less over the full height of the bag.

15. A bag according to one of claims 1 to 14, characterised by the fact that the detachable connecting element 25 includes a strip parallel to the fold line of the gusset, on the part of the bag body receiving the end of the gusset.

16. A bag according to one of claims 1 to 16, characterised by the fact that the detachable connecting element 30 includes two strips parallel to the fold line of the gusset provided respectively on the end of the gusset and on the wall of the bag body intended to receive this end.

17. A bag according to one of claims 1 to 16, characterised by the fact that each gusset extends in a plane that is generally perpendicular to the direction of introduction of the contents into the bag.

5 18. A bag according to one of claims 1 to 16, characterised by the fact that each gusset extends in a plane that is generally parallel to the direction of introduction of the contents into the bag, against a wall of the latter which surrounds the original aperture.

10 19. A bag according to one of claims 1 to 18, characterised by the fact that it includes two gussets folded back against the faces of the bag body that are diametrically opposite and located around the aperture of original.

15 20. A bag according to one of claims 1 to 19, characterised by the fact that each gusset covers part of the face of the bag body against which it is folded back.

20 21. A process of manufacturing a packaging bag, characterised by the fact that it includes the steps of fitting a gusset of a bag with a closure element suitable for providing a re-closeable opening, that extends across the fold line of the gusset and covers the full width of the gusset and at least a substantial part of a bag body, folding the gusset back against the bag body and fitting a detachable connecting element on the bag for holding the gusset in position.

25 22. A machine for manufacturing a packaging bag, characterised by the fact that it includes means for fitting a gusset of a bag with a closure element suitable for providing a re-closeable opening that extends across the fold line of the gusset and covers the full width of the gusset and at least a substantial part of a bag body, means for folding the gusset
30 back against the bag body and means for fitting the bag with a

detachable connecting element for holding the gusset in position.

23. A packaging bag substantially as herein described and illustrated with reference to any one of Figures 2, 5, 7 and 8 alone or in combination with Figure 5.

FIG.1

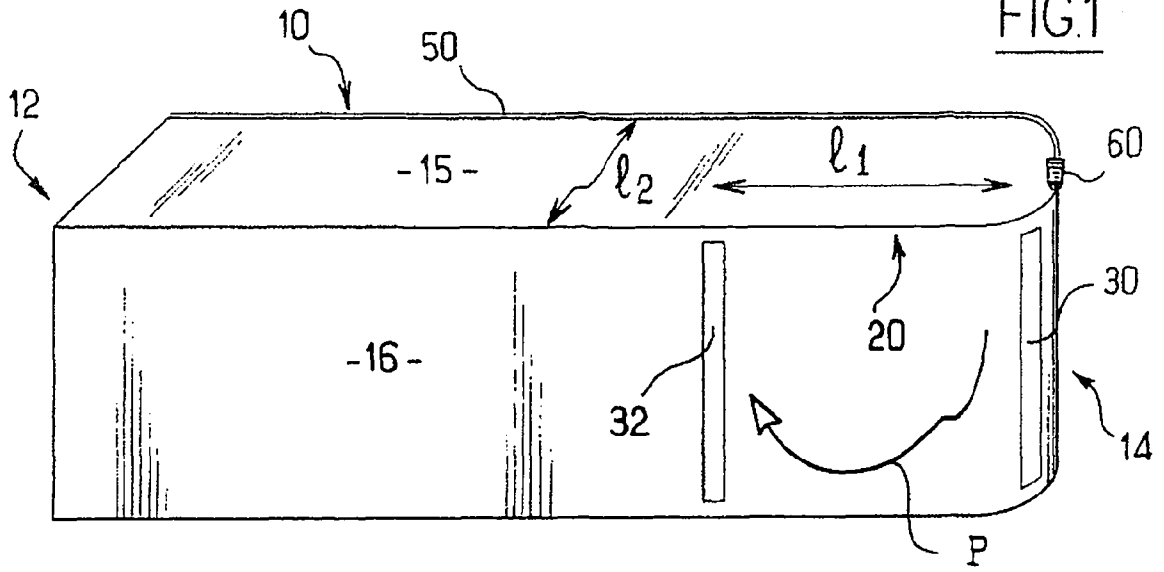


FIG.2

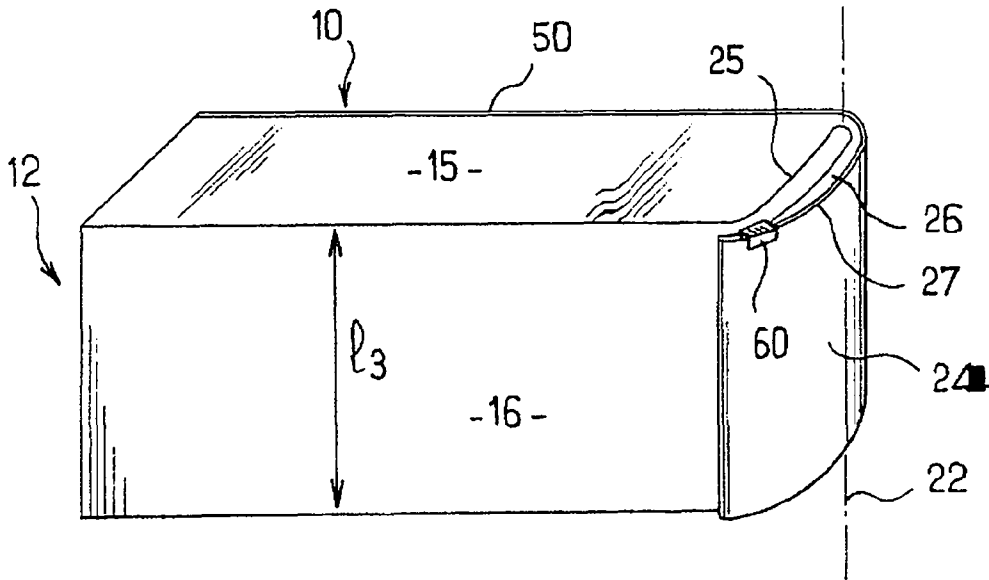


FIG.3

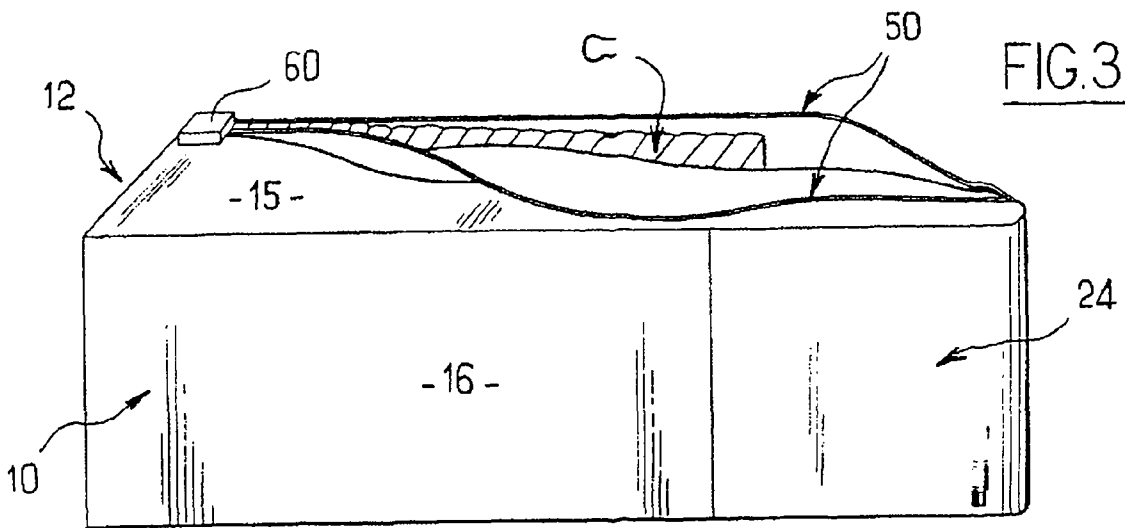


FIG.4

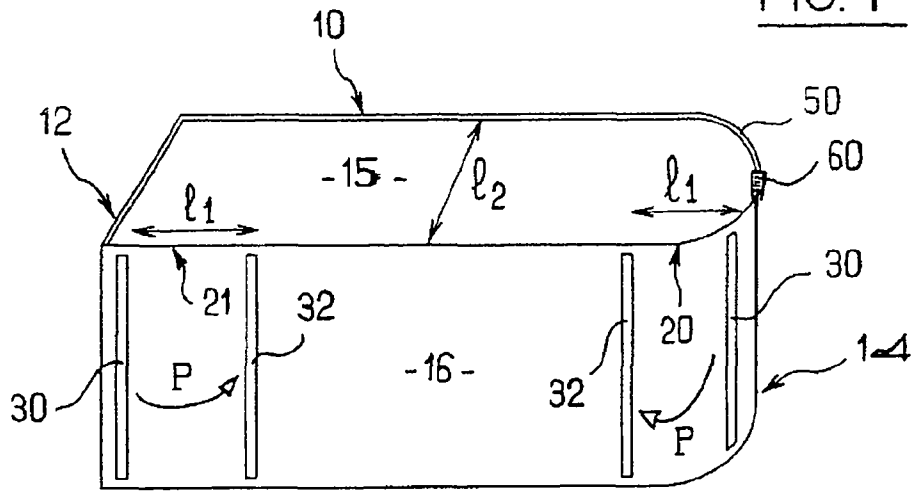


FIG.5

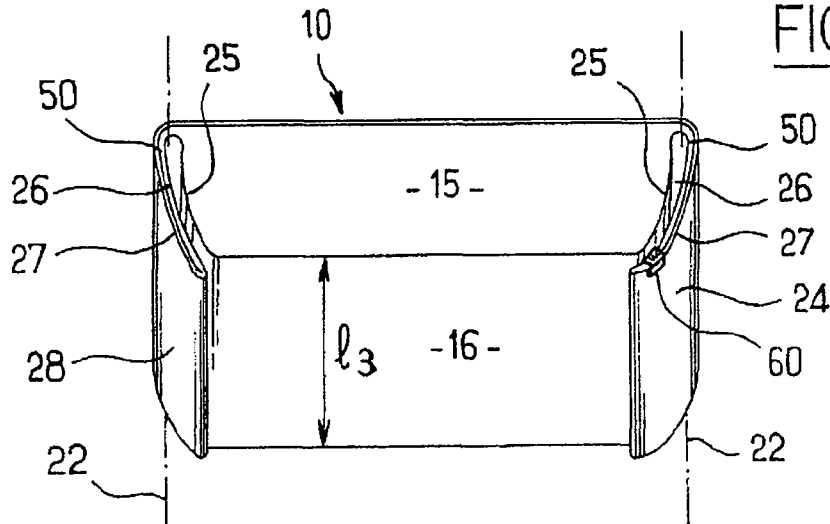


FIG.6

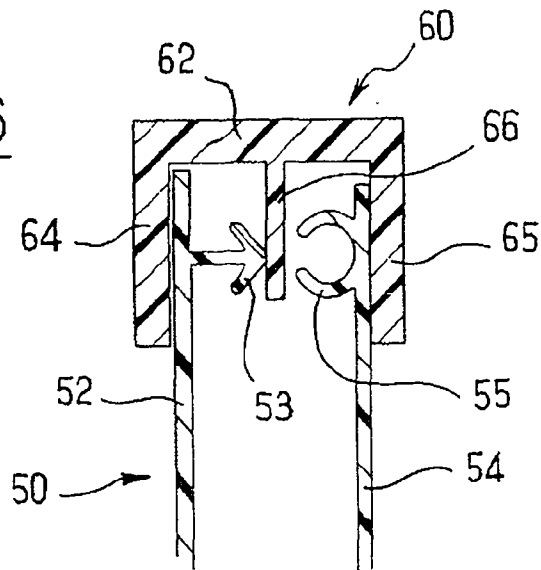


FIG.7

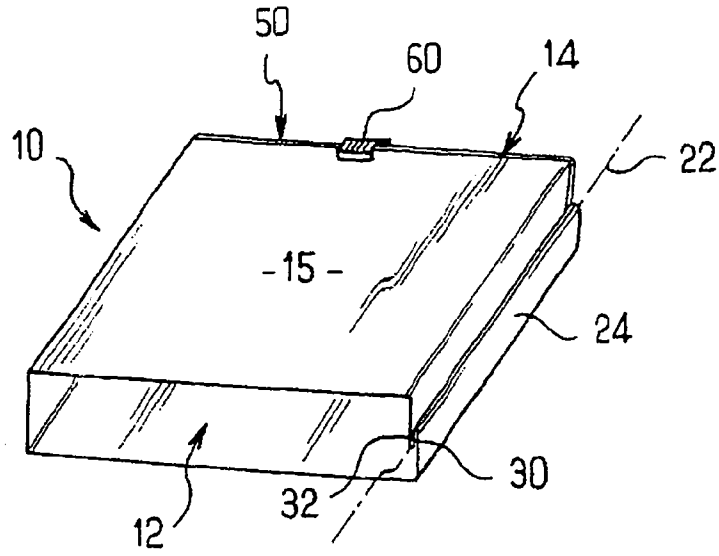


FIG.8

