



(12) **United States Design Patent**
van der Lande

(10) **Patent No.:** **US D611,698 S**
(45) **Date of Patent:** **** Mar. 16, 2010**

(54) **CAMERA-SHAPED KEYLIGHT**

(75) Inventor: **Jan van der Lande**, New York, NY (US)

(73) Assignee: **KikkerLand Design, Inc**, New York, NY (US)

(**) Term: **14 Years**

(21) Appl. No.: **29/315,177**

(22) Filed: **Jun. 1, 2009**

(51) **LOC (9) Cl.** **03-01**

(52) **U.S. Cl.** **D3/209; D3/211**

(58) **Field of Classification Search** D3/207-212;
D11/31-33, 44, 48-51, 66, 79-85, 94-116;
70/456 R, 456 B, 457-460; 24/3.6; D16/200
See application file for complete search history.

(56) **References Cited**

U.S. PATENT DOCUMENTS

D179,114 S * 11/1956 Brody D3/209
D263,651 S * 4/1982 Meo D3/209

* cited by examiner

Primary Examiner—Ralf Seifert
(74) *Attorney, Agent, or Firm*—Cascio & Zervas

(57) **CLAIM**

The ornamental design for a camera-shaped keylight, as shown and described.

DESCRIPTION

FIG. 1 is a front elevational view of the camera-shaped keylight showing my design;

FIG. 2 is a rear elevational view thereof;

FIG. 3 is a top plan view thereof;

FIG. 4 is a bottom plan view thereof;

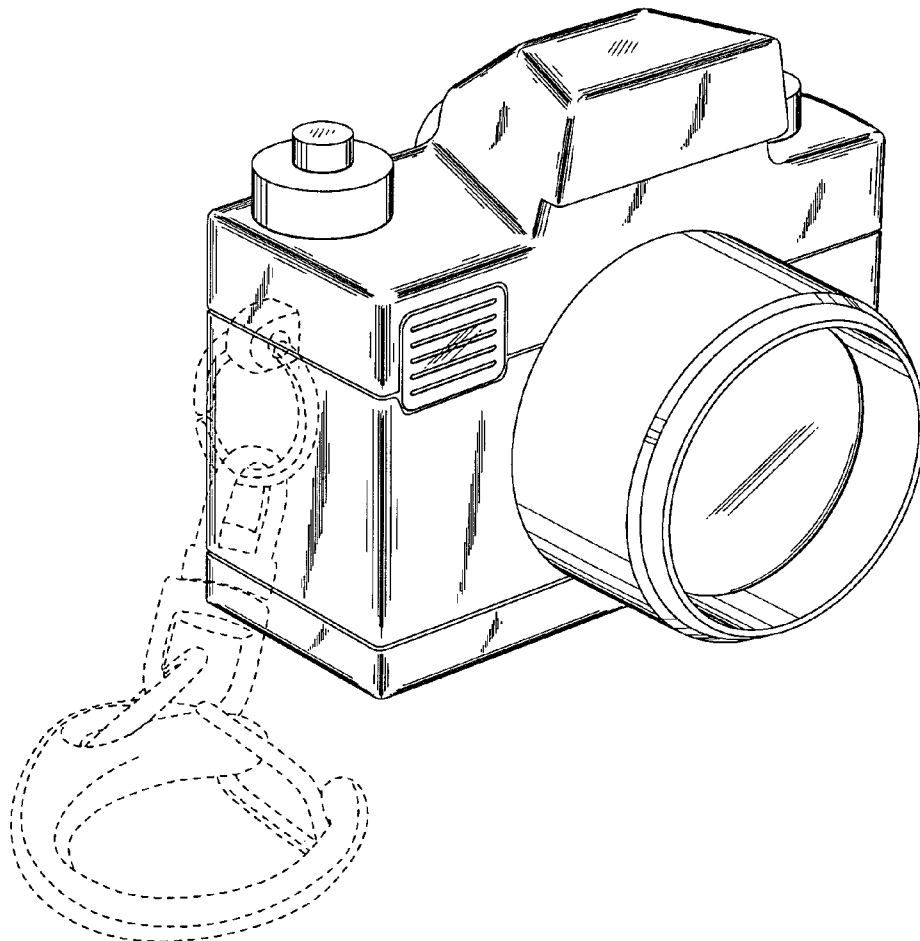
FIG. 5 is a right side elevational view thereof;

FIG. 6 is a left side elevational view thereof; and,

FIG. 7 is a perspective view thereof with a key chain attached.

The broken line in FIG. 7 showing a key chain is for illustration purposes only and forms no part of the claimed design.

1 Claim, 4 Drawing Sheets



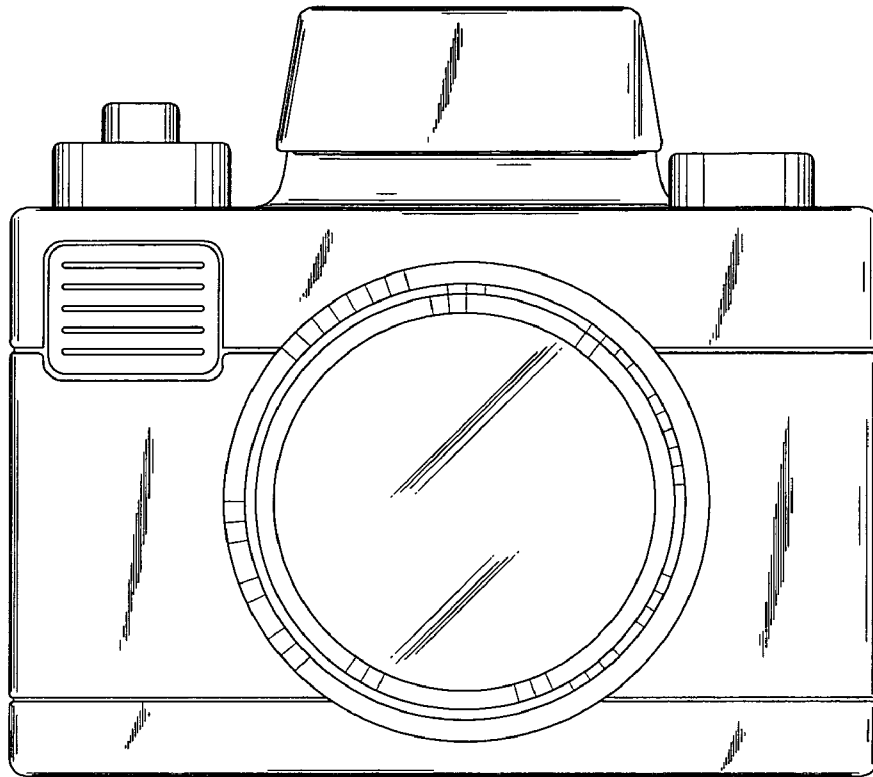


FIG. 1

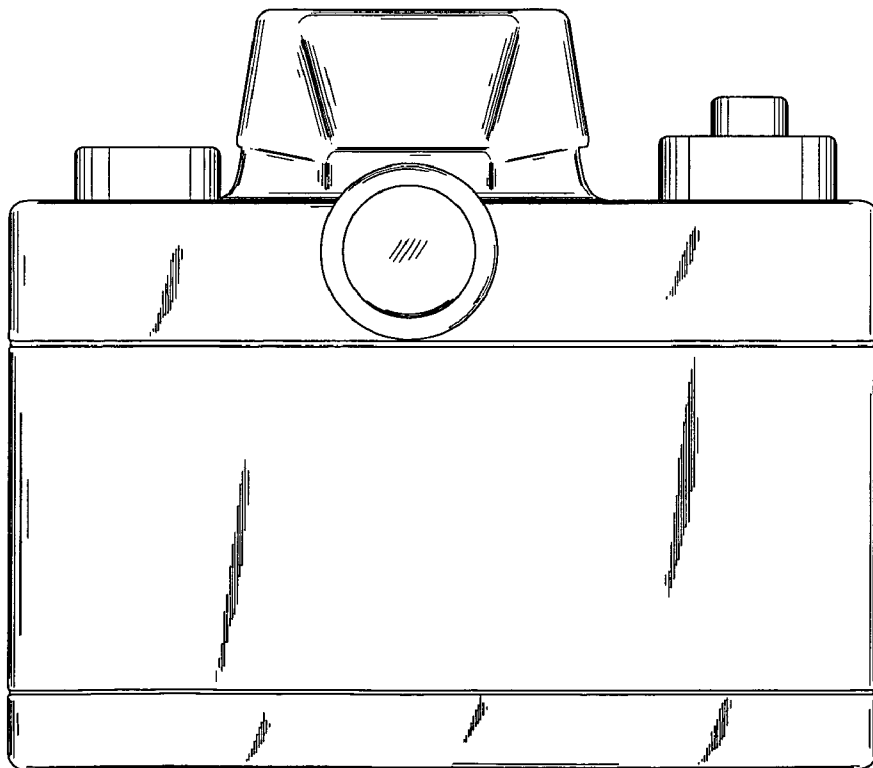


FIG. 2

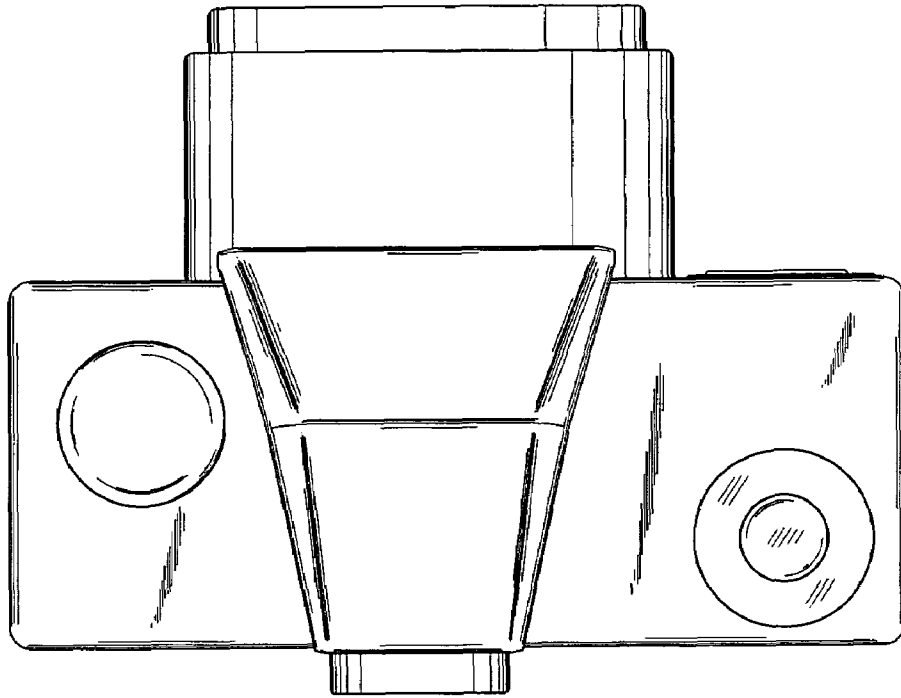


FIG. 3

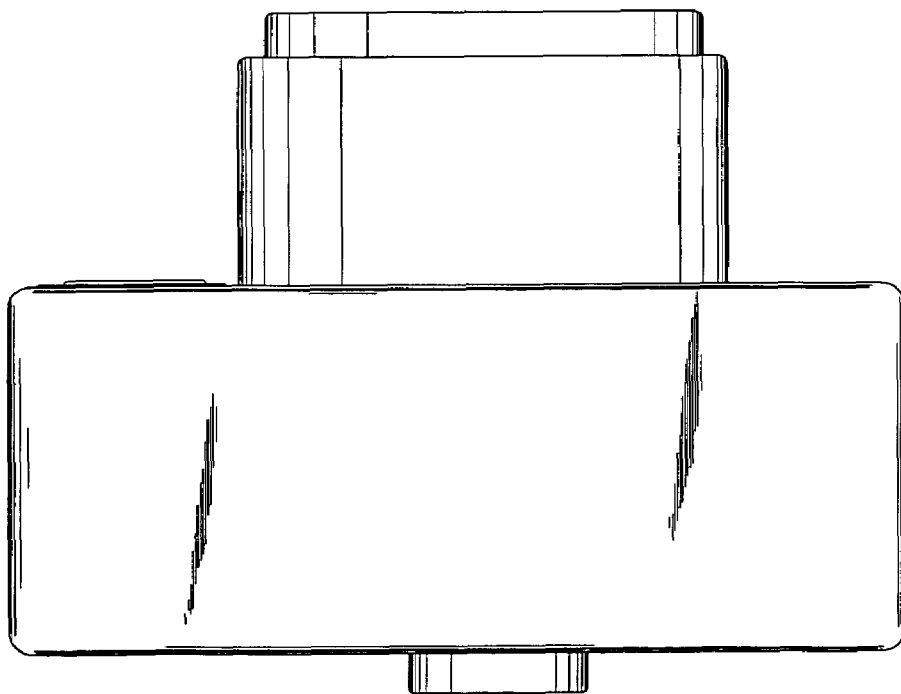


FIG. 4

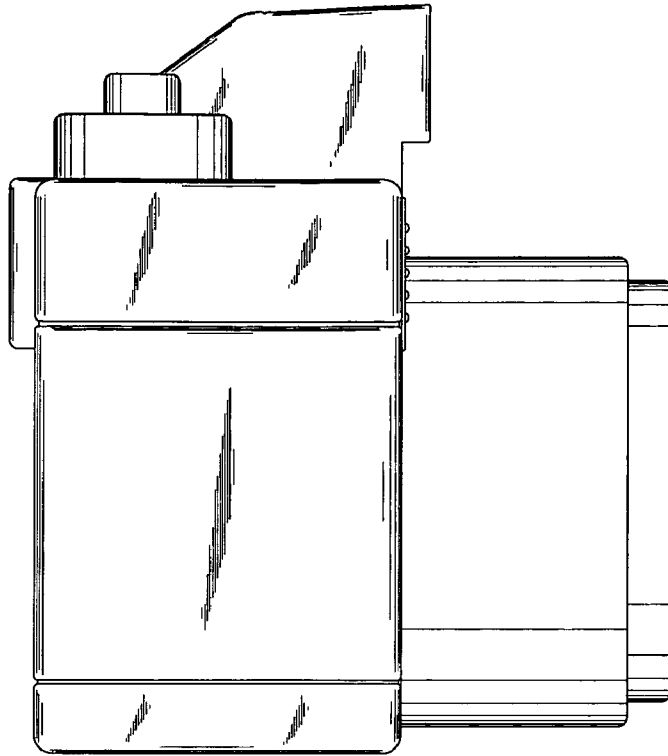


FIG. 5

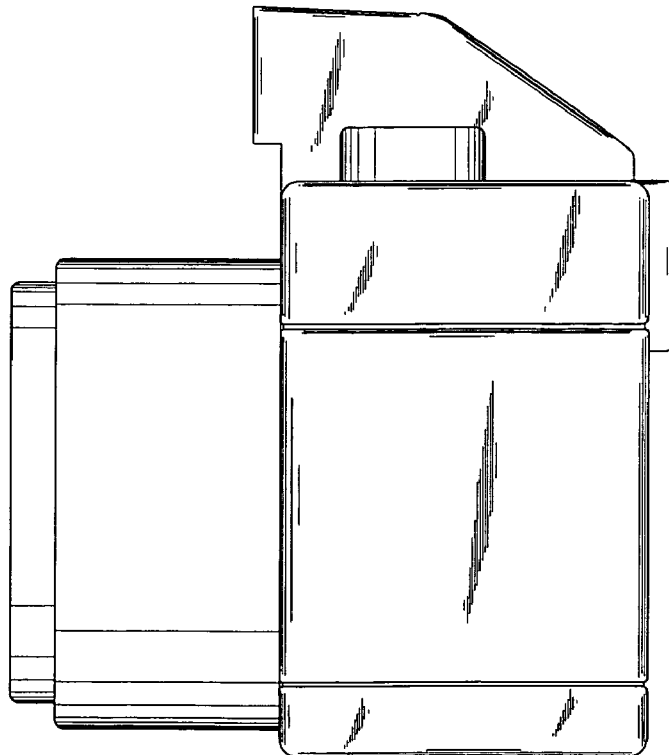


FIG. 6

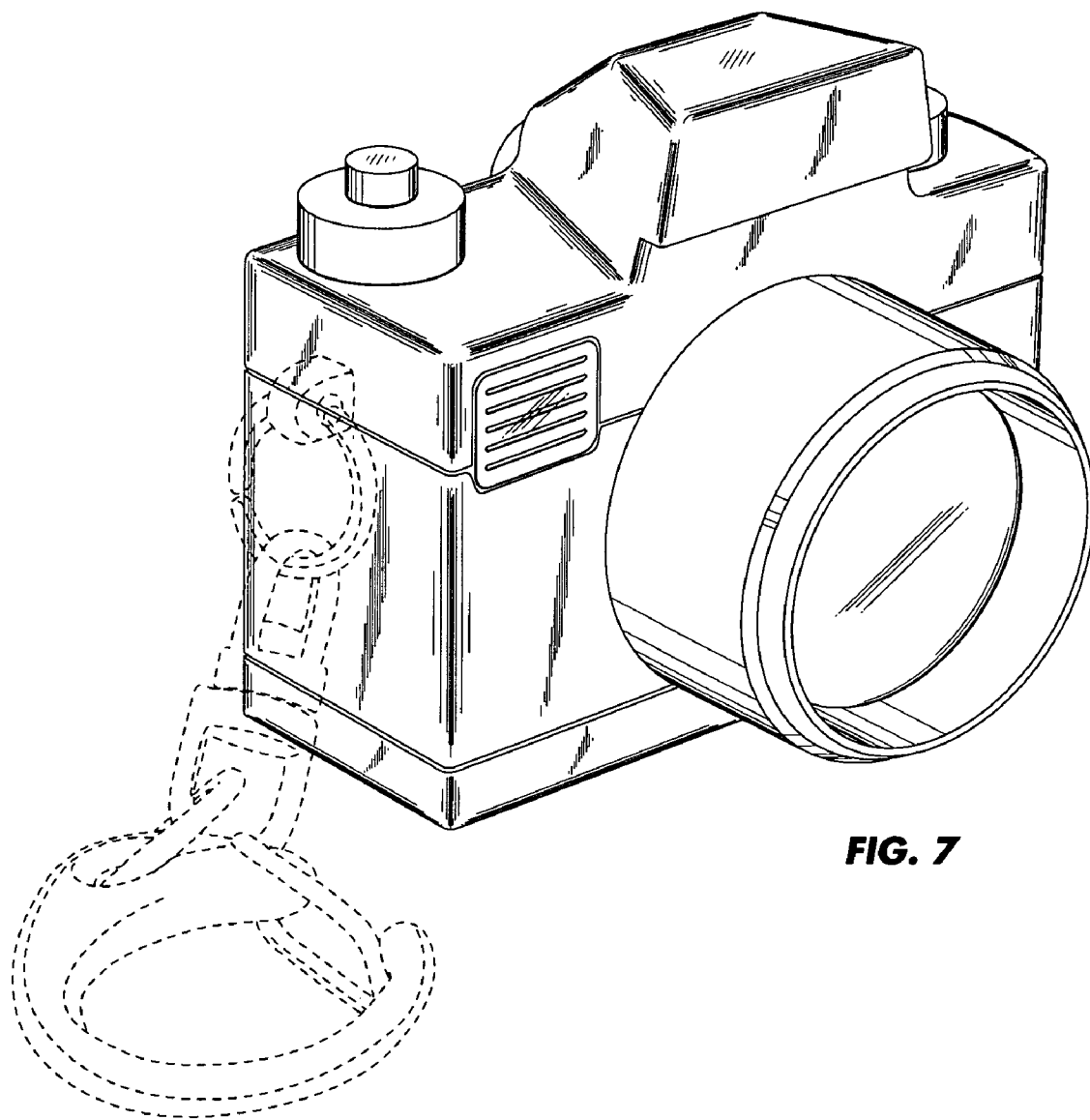


FIG. 7