



US00D542260S

(12) **United States Design Patent**
Lee

(10) **Patent No.:** **US D542,260 S**

(45) **Date of Patent:** **** May 8, 2007**

(54) **PORTABLE PHONE**

(75) Inventor: **Young-Keun Lee**, Seoul (KR)

(73) Assignee: **Samsung Electronics Co., Ltd.**,
Suwon-Si (KR)

(**) Term: **14 Years**

(21) Appl. No.: **29/257,559**

(22) Filed: **Apr. 7, 2006**

(30) **Foreign Application Priority Data**

Oct. 28, 2005 (KR) 30-2005-0036470

(51) **LOC (8) Cl.** **14-03**

(52) **U.S. Cl.** **D14/138**

(58) **Field of Classification Search** D14/137-138,
D14/144, 156, 147-148, 247-248, 341-347,
D14/496; D21/329, 331, 333; 379/433.01-433.13;
348/14.01, 14.02, 376; 455/556.1, 556.2,
455/566, 575.1, 575.4, 90.3; D16/208

See application file for complete search history.

(56) **References Cited**

U.S. PATENT DOCUMENTS

D351,854 S * 10/1994 Takahata D14/345
D356,344 S * 3/1995 Rissman et al. D21/331
D365,839 S * 1/1996 Kurabuti et al. D14/345
D394,883 S * 6/1998 Tsui D21/331

D465,218 S * 11/2002 Schebesch et al. D14/343
D468,279 S * 1/2003 Kim et al. D14/138
D476,303 S * 6/2003 Lee et al. D14/138
6,675,027 B1 * 1/2004 Huang 455/575.1
2005/0070348 A1 * 3/2005 Lee et al. 455/575.4
2006/0205438 A1 * 9/2006 Jung 455/566

* cited by examiner

Primary Examiner—Ian Simmons

Assistant Examiner—Carla Jobe Wright

(74) *Attorney, Agent, or Firm*—Staas & Halsey LLP

(57) **CLAIM**

The ornamental design for a portable phone, as shown and described.

DESCRIPTION

FIG. 1 is a perspective view of the portable phone showing my design;

FIG. 2 is a front view thereof;

FIG. 3 is a rear view thereof;

FIG. 4 is a left side view thereof;

FIG. 5 is a right side view thereof;

FIG. 6 is a top plan view thereof;

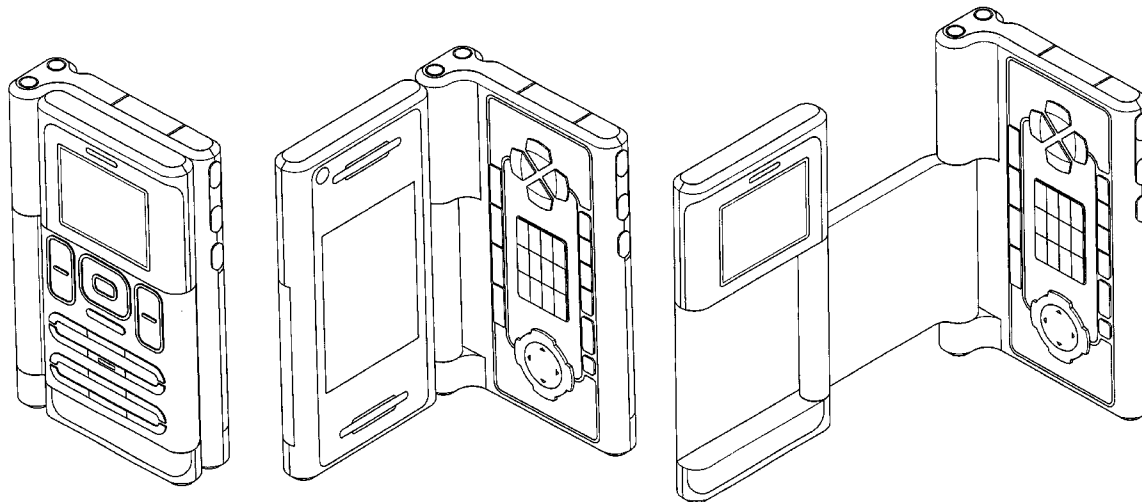
FIG. 7 is a bottom plan view thereof;

FIG. 8 is a front, open view thereof;

FIG. 9 is a perspective, open view thereof; and,

FIG. 10 is another perspective, open view thereof with a portion moved relative to FIG. 9.

1 Claim, 7 Drawing Sheets



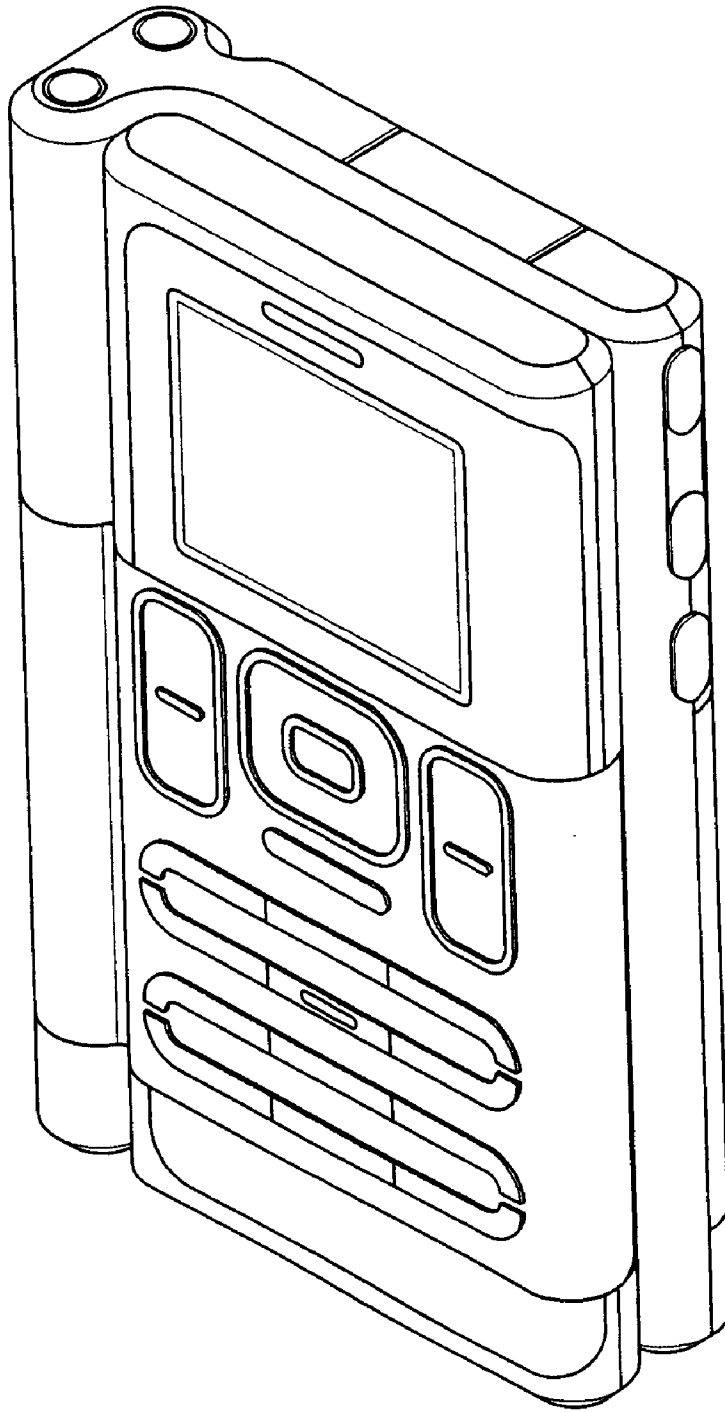


FIG. 1

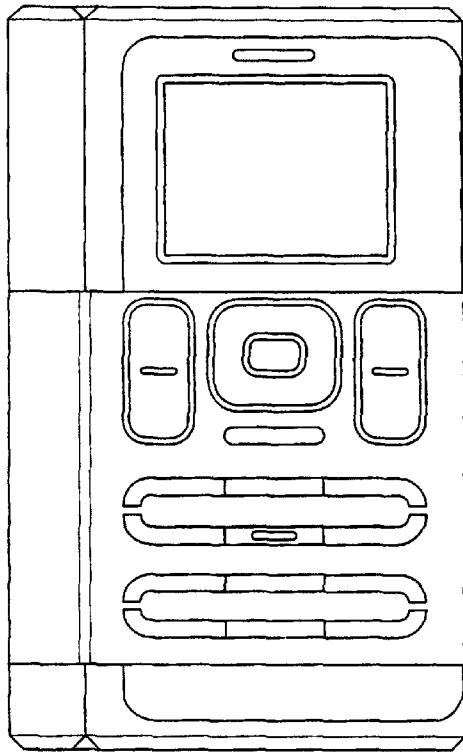


FIG. 2

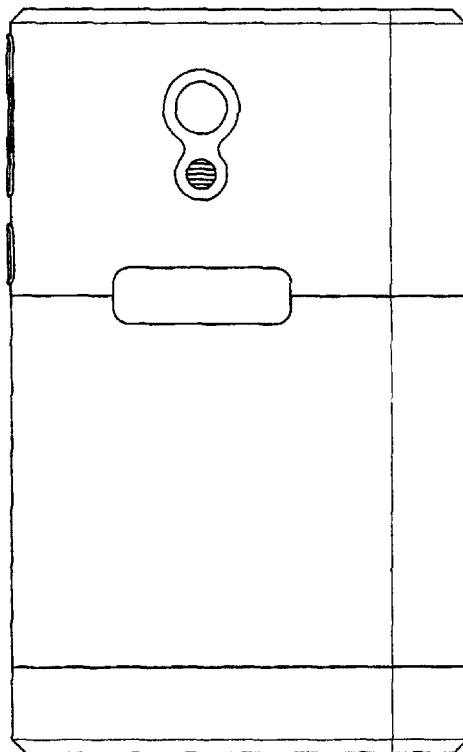


FIG. 3

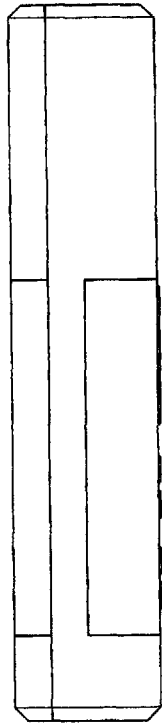


FIG. 4

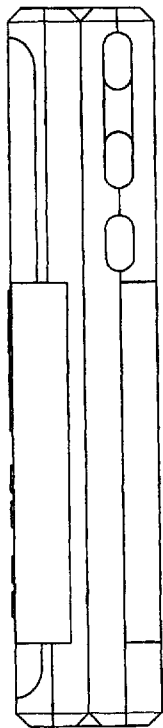


FIG. 5

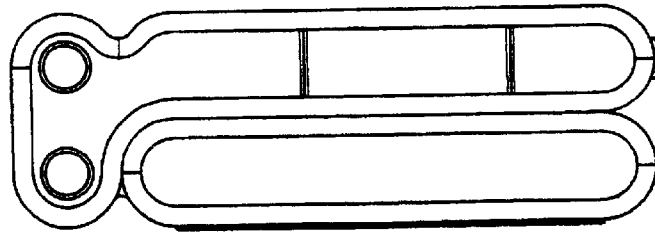


FIG. 6



FIG. 7

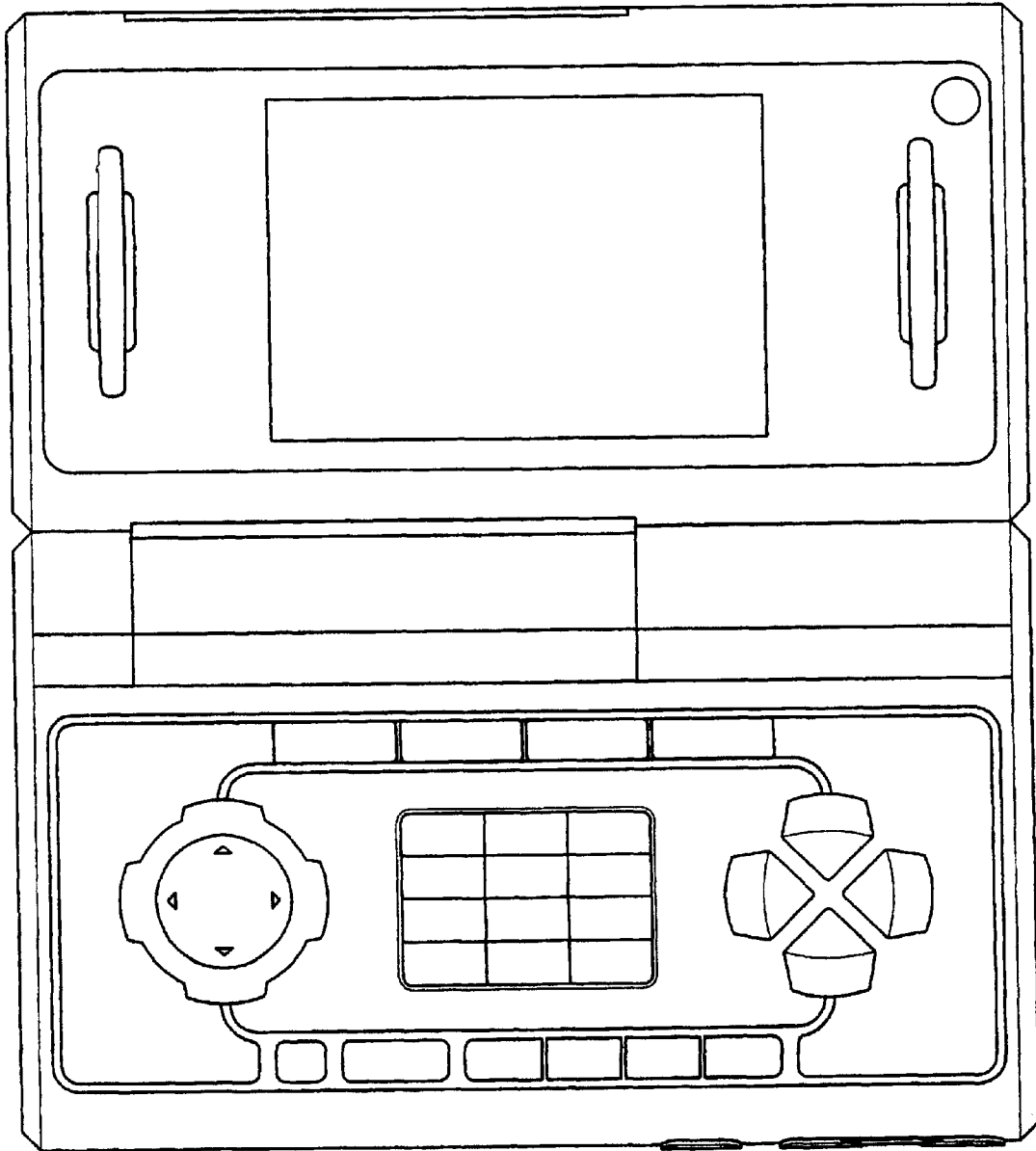


FIG. 8

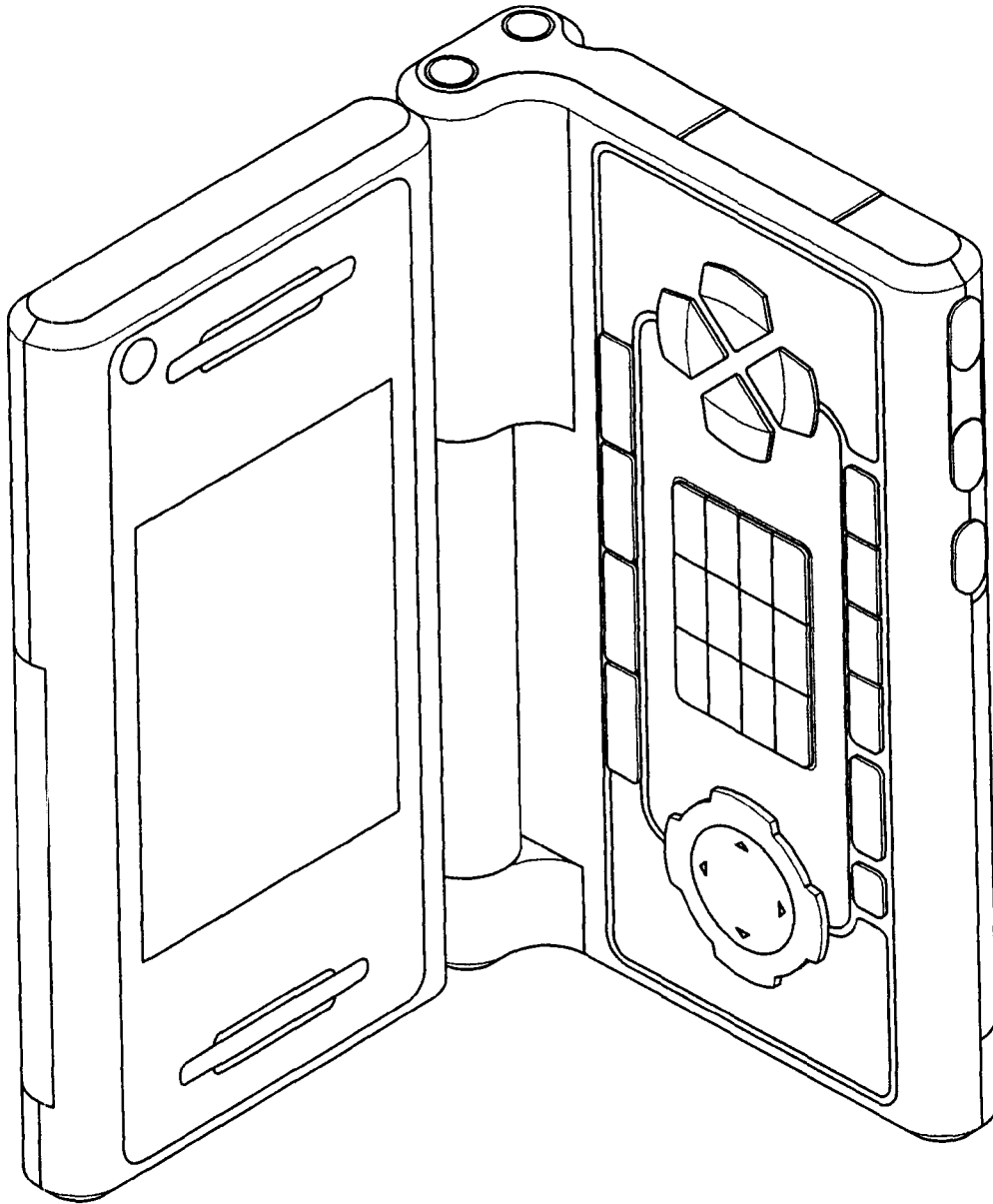


FIG. 9

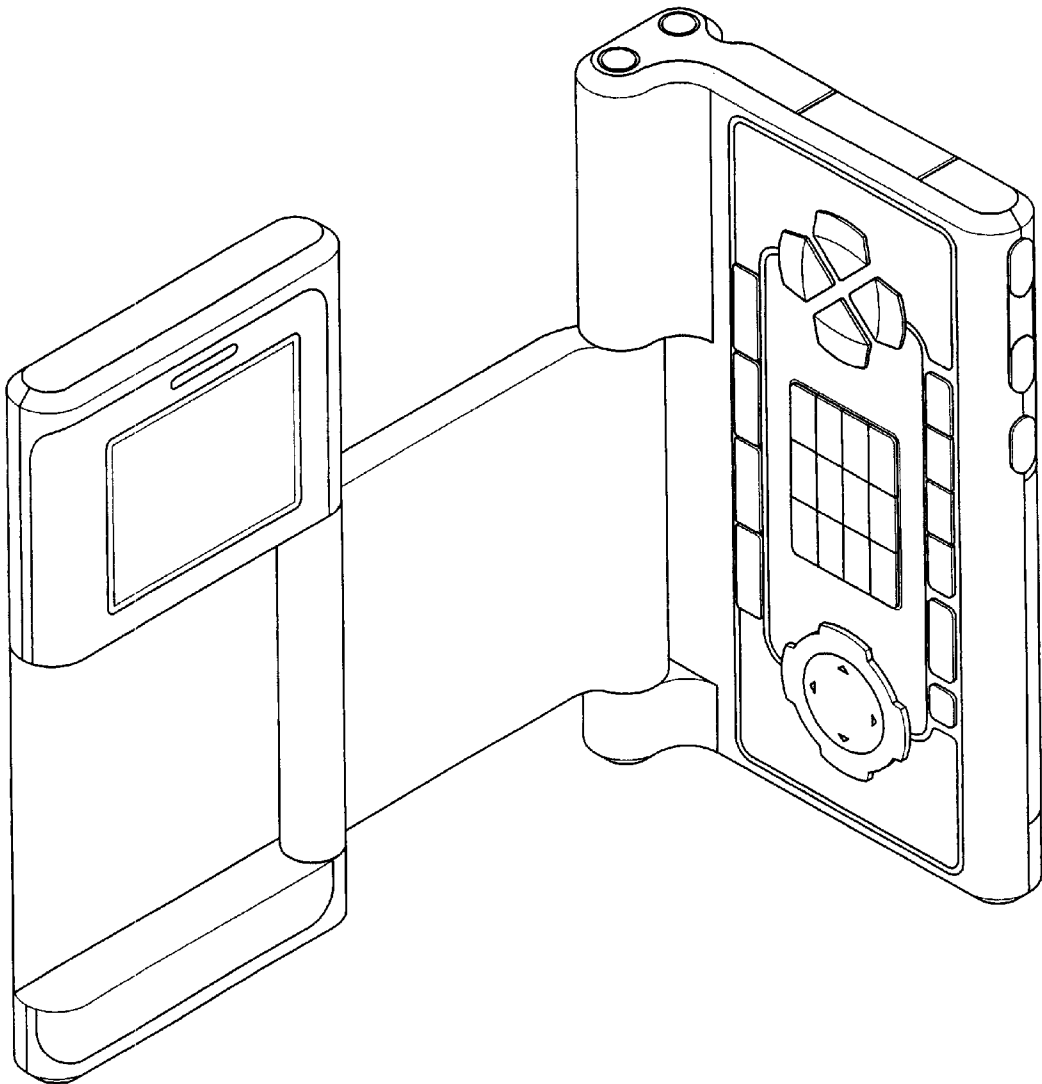


FIG. 10