



US00D494654S1

(12) **United States Design Patent** (10) **Patent No.:** **US D494,654 S**
Macaulay et al. (45) **Date of Patent:** **** Aug. 17, 2004**

(54) **FLUIDIC CARTRIDGE FITTINGS**
(75) Inventors: **Frank Delmar Macaulay**, Cincinnati, OH (US); **Judd Dylan Olson**, Minnetonka, MN (US); **David James Emmons**, Plymouth, MN (US); **John Paul Boros**, Maple Lake, MN (US)
(73) Assignee: **Procter & Gamble Co.**, Cincinnati, OH (US)
(**) Term: **14 Years**
(21) Appl. No.: **29/180,628**
(22) Filed: **Apr. 25, 2003**

3,313,417 A 4/1967 Rosaen
3,313,418 A 4/1967 Rosaen
3,319,791 A 5/1967 Horne
3,330,098 A 7/1967 Delin
3,333,697 A 8/1967 Rosaen
3,333,703 A 8/1967 Scavuzzo et al.
3,342,340 A 9/1967 Shindell
3,347,386 A 10/1967 Kraissi, Jr.
3,358,839 A 12/1967 Simons
3,360,910 A 1/1968 Soltis
3,383,841 A 5/1968 Olson et al.
3,392,837 A 7/1968 Sanzenbacher
3,399,776 A 9/1968 Knuth
3,423,908 A 1/1969 Hart
3,426,512 A 2/1969 Nesher
3,426,998 A 2/1969 Kintner

(List continued on next page.)

(51) **LOC (7) Cl.** **23-01**
(52) **U.S. Cl.** **D23/209**
(58) **Field of Search** D23/207, 209;
210/232, 443, 444

FOREIGN PATENT DOCUMENTS

CA 2113703 1/1994
CA 2215114 10/1996

(List continued on next page.)

(56) **References Cited**

U.S. PATENT DOCUMENTS

1,020,212 A 3/1912 Lukowski
1,814,572 A 7/1931 Shaffer
2,056,756 A 10/1936 Wiedhofft
2,107,165 A 2/1938 Rice
2,158,347 A 5/1939 Yirava
2,240,648 A 5/1941 Hartman
2,382,278 A 8/1945 Widmann
2,544,244 A 3/1951 Vokes
2,563,548 A 8/1951 Plante
2,568,181 A 9/1951 Zimmerman et al.
2,681,572 A 6/1954 Lamb
2,790,572 A 4/1957 Flaith et al.
2,932,400 A 4/1960 Scavuzzo
D188,688 S 8/1960 Sicard
2,979,208 A 4/1961 Humbert, Jr.
3,040,894 A 6/1962 Pall
3,105,042 A 9/1963 Roosa
3,217,942 A 11/1965 Humbert, Jr. et al.
3,237,770 A 3/1966 Humbert, Jr.
3,266,628 A 8/1966 Price
3,283,907 A 11/1966 Whiting
3,306,451 A 2/1967 Kudiaty

Primary Examiner—Robin V. Taylor
(74) *Attorney, Agent, or Firm*—S. Robert Chvey; Richard Alexander

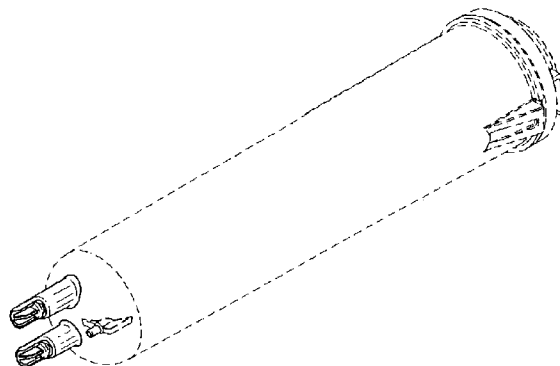
(57) **CLAIM**

The ornamental design for fluidic cartridge fittings, as shown and described.

DESCRIPTION

FIG. 1 is a rear elevational view of fittings of a fluidic cartridge showing our new design; FIG. 2 is a top plan view thereof; FIG. 4 is a left side view thereof; FIG. 4 is a front elevational view thereof; FIG. 5 is a bottom plan view thereof; FIG. 6 is a right side view thereof; and, FIG. 7 is a perspective view thereof. The parts shown in broken lines in FIGS. 1-7 are shown for illustrative purposes only and form no part of the claimed design.

1 Claim, 3 Drawing Sheets



US D494,654 S

U.S. PATENT DOCUMENTS

3,434,269 A	3/1969	Hyatt	4,948,503 A	8/1990	Baumann et al.	
3,447,558 A	6/1969	Cserny	4,948,505 A	8/1990	Petrucci et al.	
3,470,679 A	10/1969	Ramsey	4,989,636 A	2/1991	Hunter et al.	
3,497,071 A	2/1970	Mineo	5,022,986 A	* 6/1991	Lang	210/94
3,502,214 A	3/1970	Mills et al.	D322,836 S	12/1991	Petrucci et al.	
3,540,594 A	11/1970	Sanderson	5,083,442 A	1/1992	Vlock	
3,556,300 A	1/1971	Codo	5,098,559 A	3/1992	Mack et al.	
D220,263 S	3/1971	Hughes	5,102,543 A	4/1992	Burroughs	
D221,850 S	9/1971	Anderson	5,108,598 A	4/1992	Posner	
3,640,390 A	2/1972	Goy et al.	5,114,572 A	5/1992	Hunter et al.	
3,715,032 A	2/1973	Nicko	5,135,645 A	8/1992	Sklenak et al.	
3,729,905 A	5/1973	Diccianni	D330,712 S	11/1992	Pingel et al.	
3,746,171 A	7/1973	Thomsen	5,186,830 A	2/1993	Rait	
3,777,889 A	12/1973	Henderson	5,256,285 A	10/1993	Tomita et al.	
3,800,948 A	4/1974	LaVallee	5,273,255 A	12/1993	Klicek et al.	
3,814,251 A	6/1974	Aspinwall et al.	5,300,223 A	4/1994	Wright	
3,852,196 A	12/1974	Szpur	5,320,752 A	6/1994	Clack et al.	
3,853,761 A	12/1974	McClory	5,336,406 A	8/1994	Stanford et al.	
3,859,216 A	1/1975	Sisson et al.	5,354,464 A	10/1994	Slovak et al.	
3,909,221 A	9/1975	Bengtsson et al.	5,380,432 A	1/1995	Brandt	
3,950,251 A	4/1976	Hiller	5,382,359 A	1/1995	Brandt	
3,954,624 A	5/1976	Petrucci	5,397,462 A	3/1995	Higashijima et al.	
D243,767 S	3/1977	Rutherford	5,397,468 A	3/1995	Chomka et al.	
4,046,696 A	9/1977	Mouwen	5,456,830 A	10/1995	Stanford et al.	
4,051,036 A	9/1977	Conrad et al.	5,460,719 A	10/1995	Clack et al.	
4,052,307 A	10/1977	Humbert, Jr.	5,468,386 A	11/1995	Ardes	
4,077,876 A	3/1978	Southall	5,486,288 A	1/1996	Stanford et al.	
4,082,673 A	4/1978	Cilento	5,501,791 A	3/1996	Theisen et al.	
4,094,779 A	6/1978	Behrman	5,503,740 A	4/1996	Callaghan et al.	
4,105,561 A	8/1978	Domnick	5,516,425 A	5/1996	Brieden et al.	
D251,380 S	3/1979	Casamitjana	5,520,801 A	5/1996	Gerber et al.	
4,172,796 A	10/1979	Corder	5,527,451 A	6/1996	Hembree et al.	
4,199,443 A	4/1980	Tauber	5,560,824 A	10/1996	Sann et al.	
4,204,965 A	5/1980	Vincent	5,589,060 A	12/1996	Gerbert et al.	
4,222,875 A	9/1980	Sikula, Jr.	5,591,332 A	1/1997	Reid et al.	
4,268,384 A	5/1981	Rosaen et al.	D377,826 S	* 2/1997	Robbins	D23/209
4,271,020 A	6/1981	Van Meter	5,607,582 A	3/1997	Yamazaki et al.	
4,303,514 A	12/1981	Theorell	5,611,923 A	3/1997	Suri et al.	
4,304,736 A	12/1981	McMillin et al.	5,681,475 A	10/1997	Lamensdorf et al.	
4,317,725 A	3/1982	Kume et al.	5,688,396 A	11/1997	Baumann et al.	
4,349,438 A	9/1982	Sims	D388,500 S	* 12/1997	Burchard et al.	D23/209
4,371,439 A	2/1983	Thornton	5,695,168 A	12/1997	Williams	
4,379,053 A	4/1983	Brane	5,698,093 A	12/1997	Pyle et al.	
4,434,903 A	3/1984	Cooke	5,698,098 A	12/1997	Ernst et al.	
4,446,987 A	5/1984	White	5,700,371 A	12/1997	Koslow	
4,465,595 A	8/1984	Cooper	5,707,518 A	1/1998	Coates et al.	
4,495,072 A	1/1985	Fields	5,715,699 A	2/1998	Coates et al.	
4,497,348 A	2/1985	Sedam	5,725,623 A	3/1998	Bowerman et al.	
4,505,823 A	3/1985	Klein	5,744,030 A	4/1998	Reid et al.	
4,515,692 A	5/1985	Chandler et al.	5,753,107 A	5/1998	Magnusson et al.	
4,520,950 A	6/1985	Jeans	5,753,111 A	5/1998	Patton et al.	
4,529,050 A	7/1985	Mosher et al.	5,785,848 A	7/1998	Strand	
4,529,514 A	7/1985	Gruett	D398,367 S	9/1998	Andrepoint et al.	
4,529,515 A	7/1985	Selz	5,813,245 A	9/1998	Coates et al.	
4,559,136 A	12/1985	Dockery	5,826,854 A	10/1998	Janvrin et al.	
4,571,953 A	2/1986	Caruso	5,846,417 A	12/1998	Jiang et al.	
4,615,812 A	10/1986	Darling	5,858,227 A	1/1999	Stone et al.	
4,617,118 A	10/1986	Smart	5,863,425 A	1/1999	Herichy et al.	
4,637,874 A	1/1987	Ansteth	D410,520 S	6/1999	King	
4,645,601 A	2/1987	Regunathan et al.	5,907,958 A	6/1999	Coates et al.	
4,684,471 A	8/1987	Manojlovic	5,914,037 A	6/1999	Yen	
4,719,012 A	1/1988	Groezinger et al.	5,925,025 A	7/1999	Weilbacher et al.	
4,731,183 A	3/1988	Schumacher, II	5,925,245 A	7/1999	Bradford et al.	
4,735,716 A	4/1988	Petrucci et al.	5,928,504 A	7/1999	Hembre et al.	
4,764,275 A	8/1988	Robichaud	5,947,462 A	9/1999	Roussel	
4,806,240 A	2/1989	Giordano et al.	D420,093 S	* 2/2000	Hayes et al.	D23/209
4,855,041 A	8/1989	Church et al.	6,024,869 A	2/2000	Stifelman	
4,877,521 A	10/1989	Petrucci et al.	6,027,644 A	2/2000	Magnusson et al.	
4,904,382 A	2/1990	Thomsen	D423,081 S	4/2000	Niermeyer	
4,915,831 A	4/1990	Taylor	6,068,770 A	5/2000	Niermeyer et al.	
			6,086,752 A	7/2000	Dell et al.	

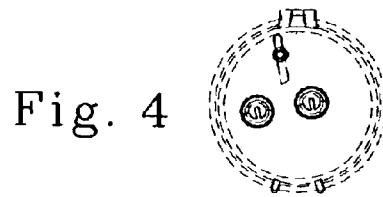
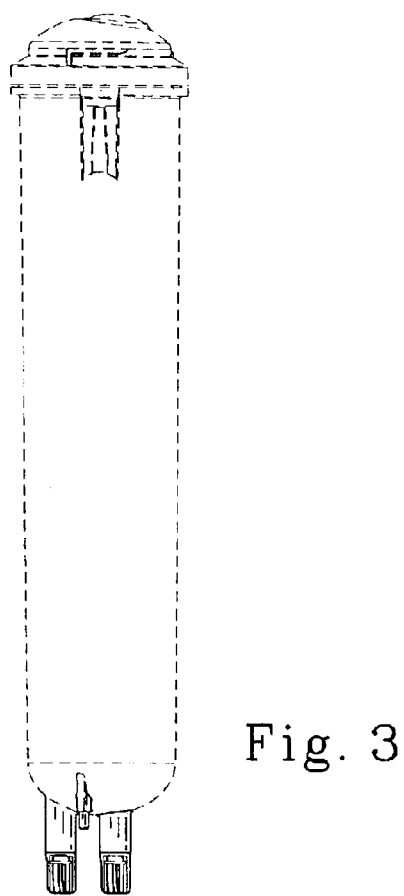
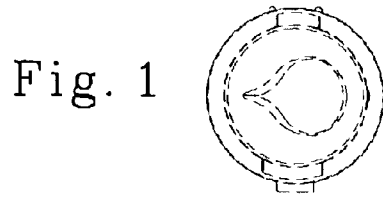




Fig. 5

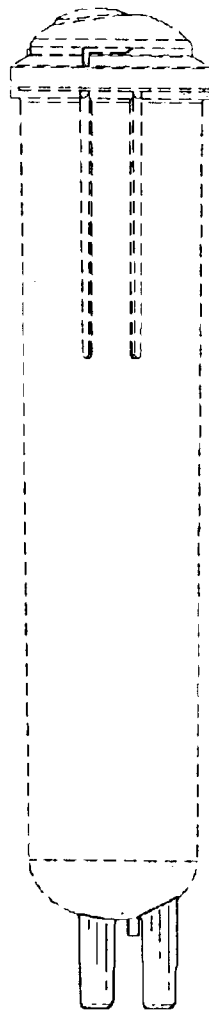


Fig. 6

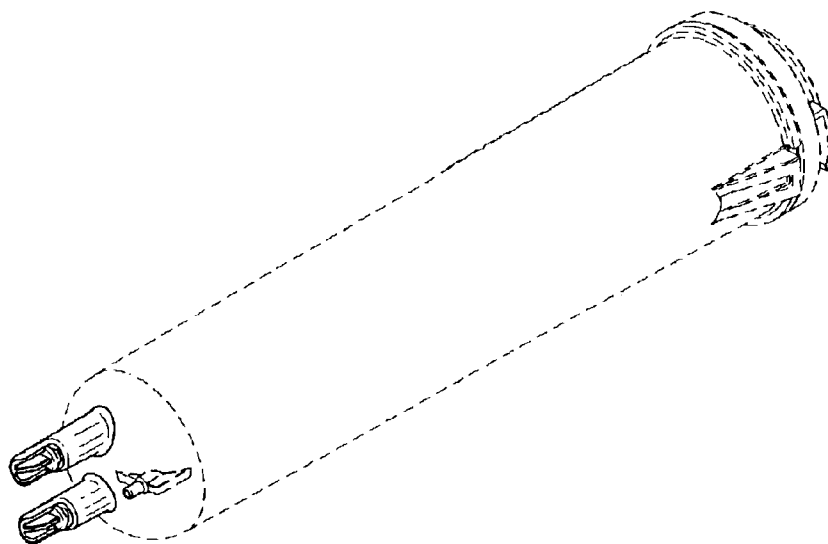


Fig. 7