



US00D421653S

# United States Patent [19]

[11] Patent Number: Des. 421,653

Purcell

[45] Date of Patent: \*\* Mar. 14, 2000

[54] **HOUSING FOR A LABORATORY INSTRUMENT**

[75] Inventor: Michael W. Purcell, Mainville, Ohio

[73] Assignee: Tekmar Company, Cincinnati, Ohio

[\*\*] Term: 14 Years

[21] Appl. No.: 29/065,674

[22] Filed: Nov. 18, 1996

[51] LOC (6) Cl. .... 24-02

[52] U.S. Cl. .... D24/231; D24/216; D24/223

[58] Field of Search ..... D24/217, 216, D24/223, 231; 422/80, 102, 99; D10/81

[56] **References Cited**

**U.S. PATENT DOCUMENTS**

D. 270,902	10/1983	Felton	.....	D10/81
D. 381,756	7/1997	Ohnuma et al.	.....	D24/231
D. 382,062	8/1997	Stevens et al.	.....	D24/216
2,549,258	4/1951	Stover	.....	261/24
3,414,385	12/1968	Beroza et al.	.....	23/288
3,499,670	3/1970	Woody	.....	285/355
3,629,490	12/1971	Keller	.....	178/5.2
3,695,642	10/1972	DeWoody	.....	285/133 R
3,728,540	4/1973	Todd et al.	.....	250/43.5 R
3,780,293	12/1973	Flint	.....	250/339
3,832,548	8/1974	Wallack	.....	250/343
3,861,809	1/1975	Hall, Jr.	.....	356/188
3,955,930	5/1976	Shapiro	.....	23/259
3,968,367	7/1976	Berg	.....	250/339
3,973,915	8/1976	Raffaele et al.	.....	23/259
4,057,499	11/1977	Buono	.....	210/136
4,253,845	3/1981	Smernoff	.....	23/230 B
4,256,461	3/1981	Wallace et al.	.....	23/230 B
4,288,229	9/1981	Mar	.....	23/230
4,301,117	11/1981	Smernoff	.....	422/99
4,342,912	8/1982	Adamson	.....	250/339
4,344,918	8/1982	Takahashi	.....	422/80
4,619,902	10/1986	Bernard	.....	436/145
4,678,914	7/1987	Melrose et al.	.....	250/343
4,692,621	9/1987	Passaro et al.	.....	250/343
4,825,076	4/1989	Shields	.....	250/343
4,850,697	7/1989	Schoennauer et al.	.....	356/419

4,874,572	10/1989	Nelson et al.	.....	376/256
4,963,744	10/1990	Matthys	.....	250/343
5,036,198	7/1991	Spaeth	.....	250/343
5,075,550	12/1991	Miller et al.	.....	250/338.5
5,097,130	3/1992	Koashi et al.	.....	250/339
5,132,094	7/1992	Godec et al.	.....	422/68.1
5,241,178	8/1993	Shields	.....	250/339
5,279,791	1/1994	Aldrich et al.	.....	422/99
5,308,981	5/1994	Perten	.....	250/339.01
5,340,542	8/1994	Fabinski et al.	.....	422/82.05
5,443,991	8/1995	Godec et al.	.....	436/145

**OTHER PUBLICATIONS**

“Filter Correlation Photometer”, by W. Olsowski and V. Nestler, pp. 722–727, *Rev. Sci. Instrum.*, 54(6), Jun. 1983.

“Introducing the ISCO EZ TOC Analyzer Accurate TOC Analysis Made Easy”, prior art, Process Monitoring Division, 531 Westgate Blvd., Lincoln, NE 68528–1586.

“A Measure of Purity”, LabTOC Model 2100, Astro International Corporation, 100 Park Avenue, League City, TX 77473, prior art.

“The Next Step in Automated TOC Analysis”, 1992, Rosemont Analytical Inc. Dohrmann Division.

(List continued on next page.)

*Primary Examiner*—Louis S. Zarfaz

*Assistant Examiner*—G. Andoll

*Attorney, Agent, or Firm*—Westman, Champlin & Kelly, P.A.

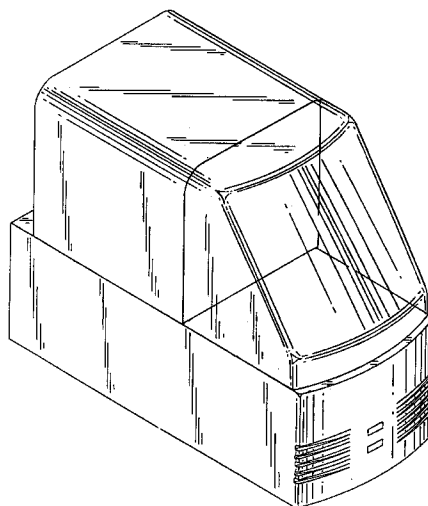
[57] **CLAIM**

The ornamental design for a housing for a laboratory instrument, as shown and described.

**DESCRIPTION**

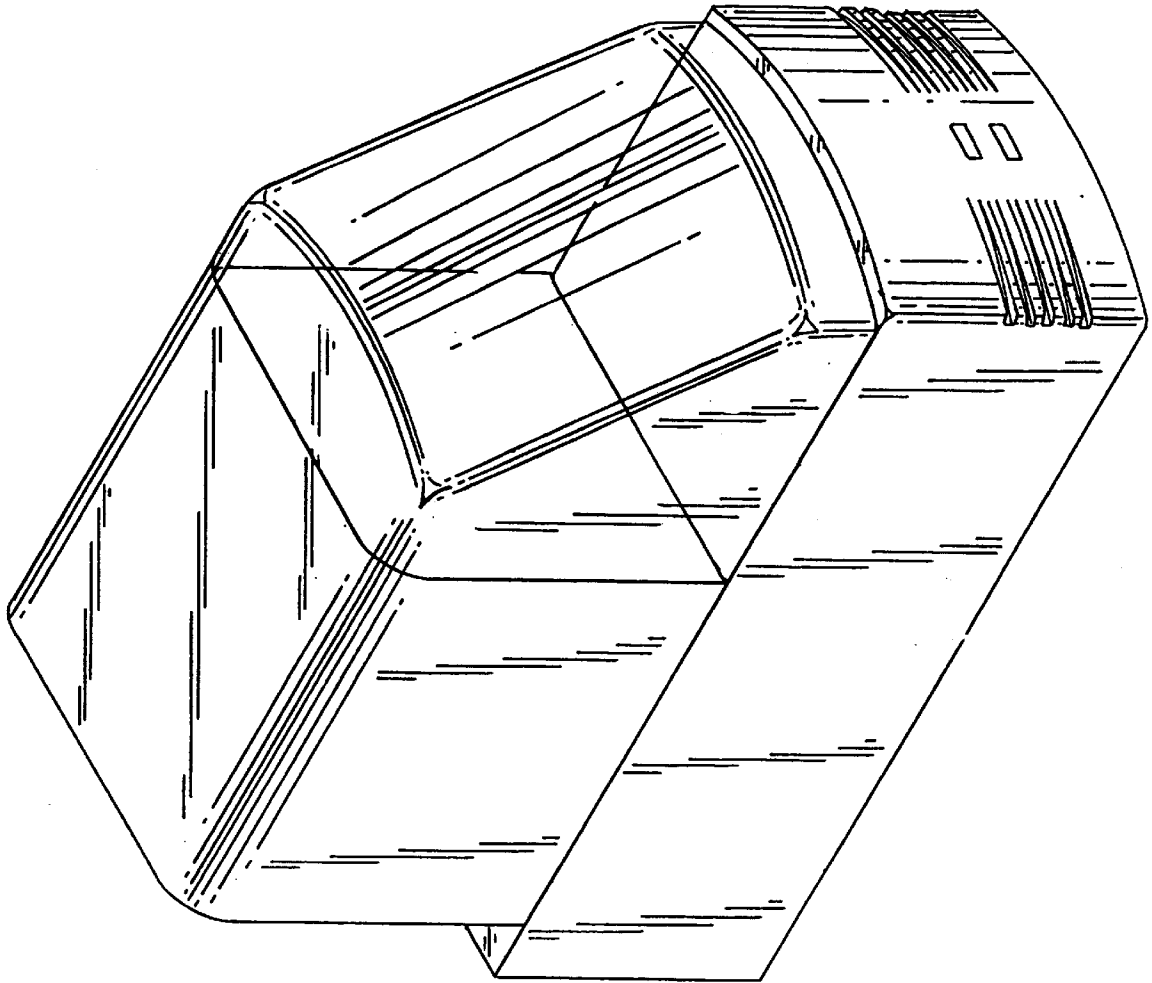
FIG. 1 is a perspective view;  
FIG. 2 is a right side view; and  
FIG. 3 is a left side view;  
FIG. 4 is a front elevational view;  
FIG. 5 is a rear elevational view;  
FIG. 6 is a top plan view; and,  
FIG. 7 is a bottom plan view.

**1 Claim, 6 Drawing Sheets**

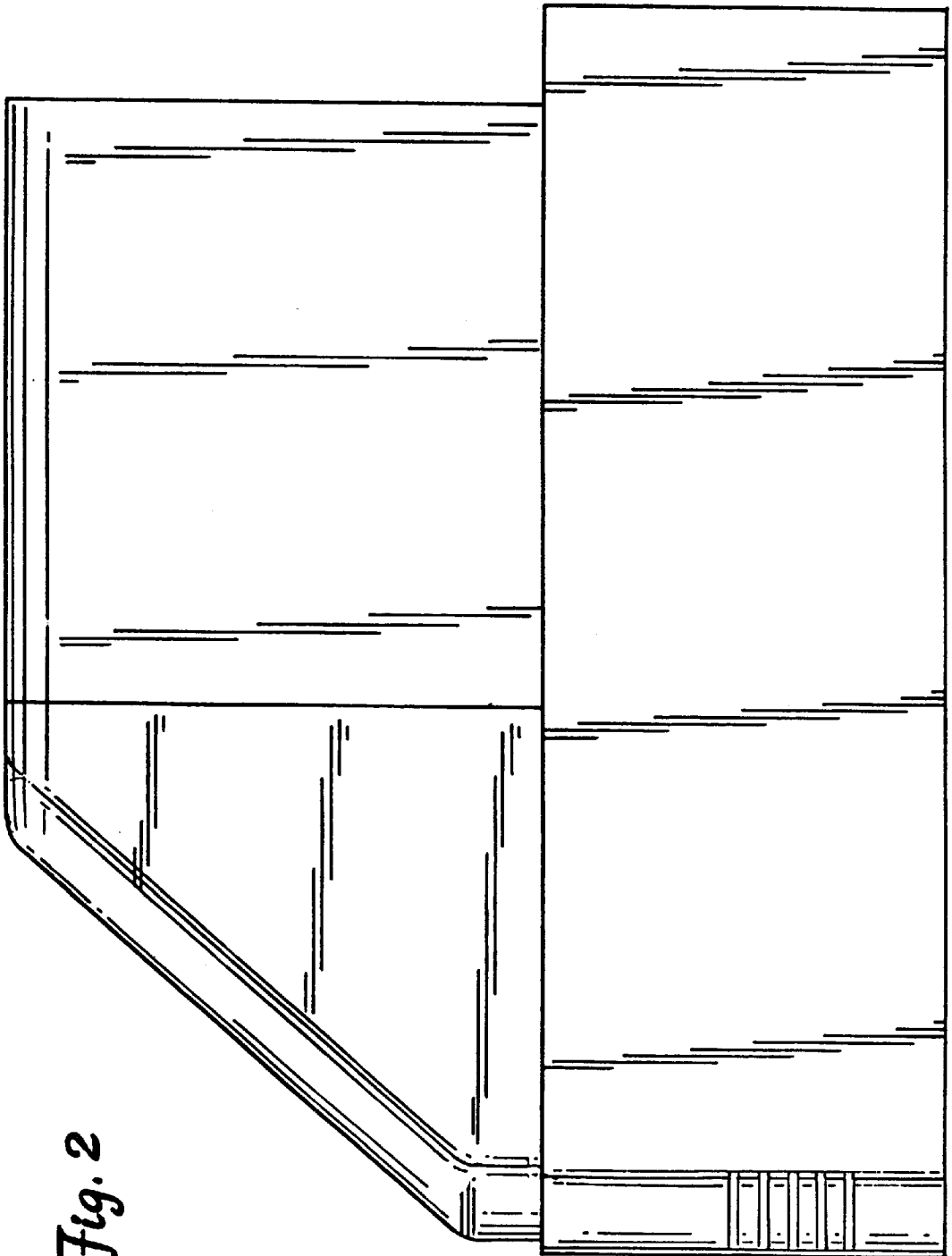


## OTHER PUBLICATIONS

- “Standard Test Method for Total, Organic, and Inorganic Carbon in High Purity Water by Ultraviolet (UV) or Persulfate Oxidation, or Both, and Infrared Detection”, pp. 1–5, Technical Reprint, TR–021, Dohrmann Division, 1988.
- “DC–190 High Temperature Total Organic Carbon Analyzer”, Rosemont Analytical Inc. Dohrmann Division, 1992.
- Selection of a TOC Analyzer, by Godfrey A. Crane, Dohrmann Division, Technical Reprint, TR–020, Jul. 1988, American Laboratory.
- “Total Organic Carbon Analyzer”, DC–80, Dohrmann Division, Rosemount Analytical Inc., 1994.
- “TOC–5000 Total Organic Carbon Analyzer”, Shimadzu Scientific Instruments, Inc. 7102 Riverwood Drive, Columbia, Maryland 21046, prior art.
- “On–Line Total Organic Carbon Monitoring for Ultrapure Water”, 1991, Anatel Corporation.
- “Automated. Affordable. TOC Analysis.”, 1990, Astro International Corporation, 100 Park Avenue, League City Texas 77573.
- “700 Total Organic Carbon Analyzer”, 1988, OI Corporation, Graham Rd. at Wellborn Rd., P.O. Box 2980, College Station, Texas 77841–2980.
- “A New Instrument For The Determination of Organic Carbon Levels In Water”, Anatoc Total Organic Carbon Analyzer, 1993, SGE International Pty Ltd, Australia.
- “Model ASI–5000 Automatic Sample Injector”, Shimadzu Scientific Instruments, Inc., 1993.
- “The Model SSM–5000 Combines With The TOC–5000 or TOC–5050 to Form a Solid Sample TOC Analysis System.”, Shimadzu Scientific Instruments, Inc., 1993.
- “New Technology For TOC Analysis In Water”, by Richard Godec, Kevin O’Neill, and Richard Hutte, Ph.D., 1992, Sievers Instruments Inc., pp. 17–22.
- “Total Organic Carbon Analyzer Sievers 800”, Sievers Instruments, Inc. 2500 Central Ave., Suite H1, Boulder CO 80301, 1992.
- Total Organic Carbon Analyzer TOC–5000 On–Line Measurement System, 1993, Shimadzu Scientific Instruments, Inc.
- “Labtoc Laboratory TOC Water Analysis System”, 1993, Pollution & Process Monitoring.
- “Carbon & Sulfur Analysis”, UIC Inc., P.O. Box 863, Joliet, Illinois 60434–0863, prior art.
- “Skalar SK<sup>12</sup> Analyser A New Concept For Fully Automated TOC/DOC Analysis”, prior art.
- “Recent Advances In The Measurement of Total Organic Carbon In Water”, by Richard S. Hutte, Richard Godec, Kevin O’Neill, Sievers Instruments, Inc., prior art.
- “Model ESU–1 External Scrubber Unit”, Shimadzu, prior art.
- “TOC–500 Total Organic Carbon Analyzer”, Shimadzu, prior art.
- “TOC–5050 Organic Carbon Analyzer”, Shimadzu Scientific Instruments, Inc., prior art.
- “Ionics Advanced Chemical Analysis Technology TOC POC TC Laboratory Analyzers”, prior art, Ionics, Incorporated, Instrument Division, 65 Grove Street, Watertown, MA 02172.
- “The Plus That Redefines The Possible In High Temperatures TOC”, HT 680+, prior art, Astro International Corporation, 100 Park Avenue, League City, Texas 77573.



*Fig. 1*



*Fig. 2*

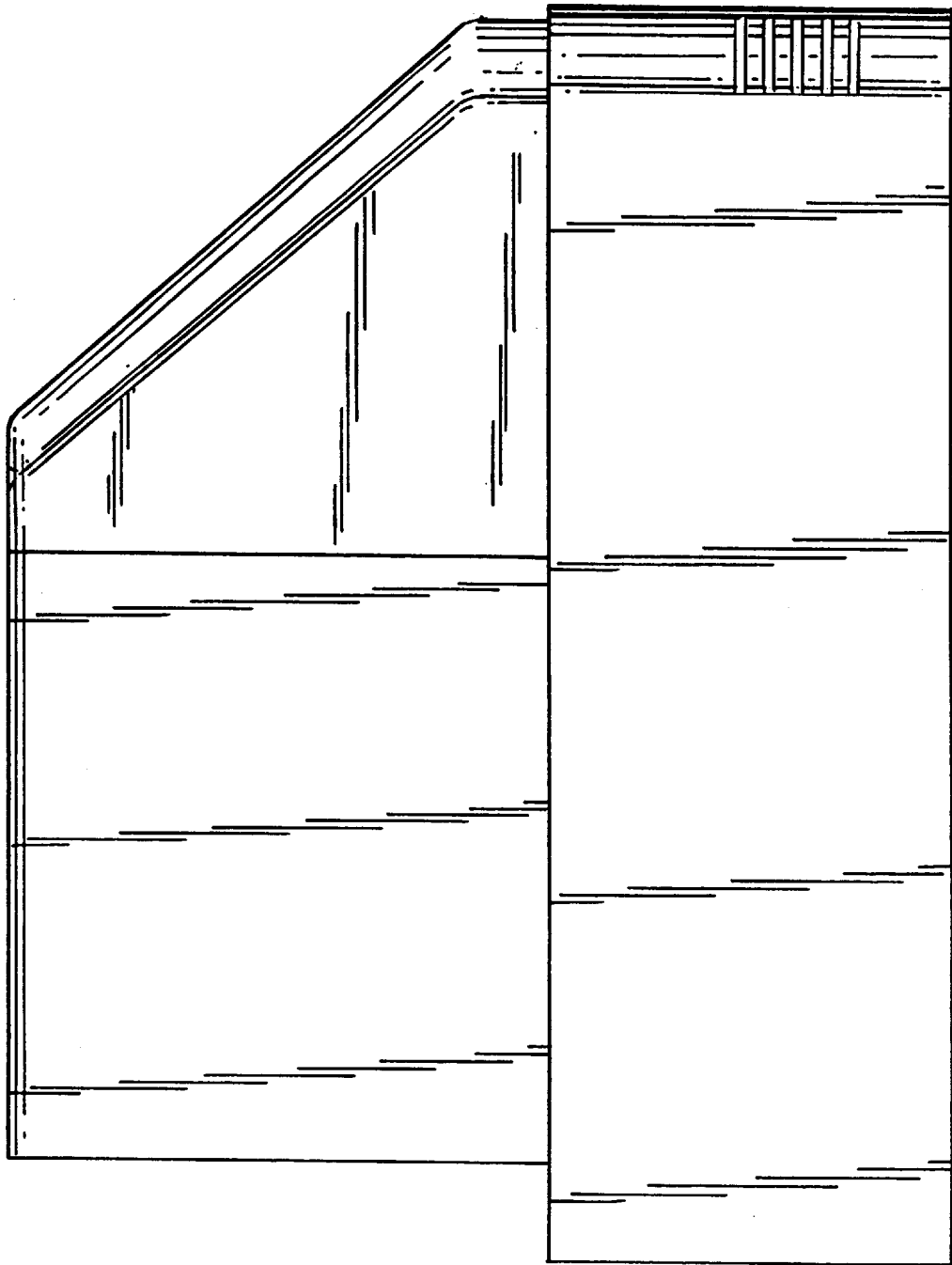
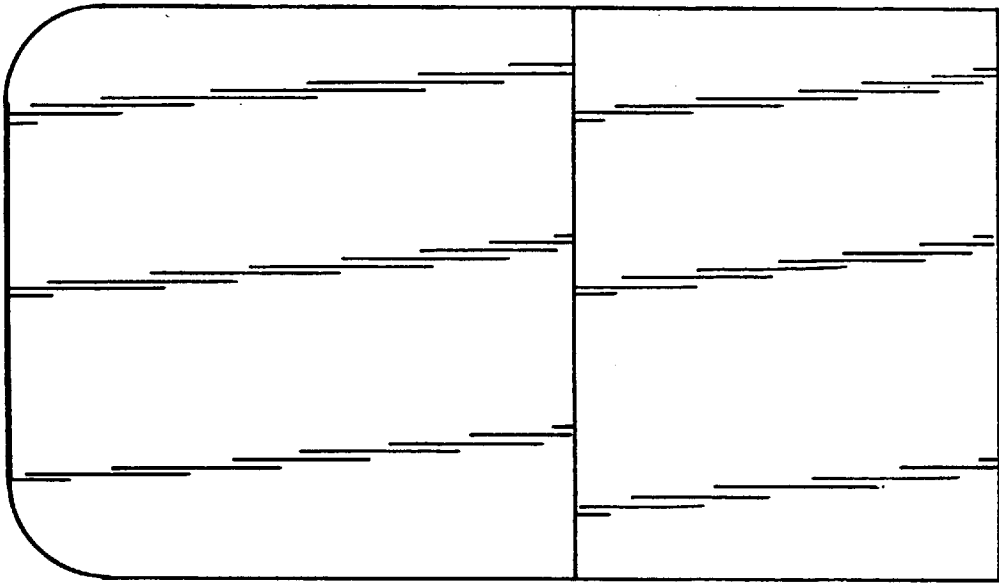
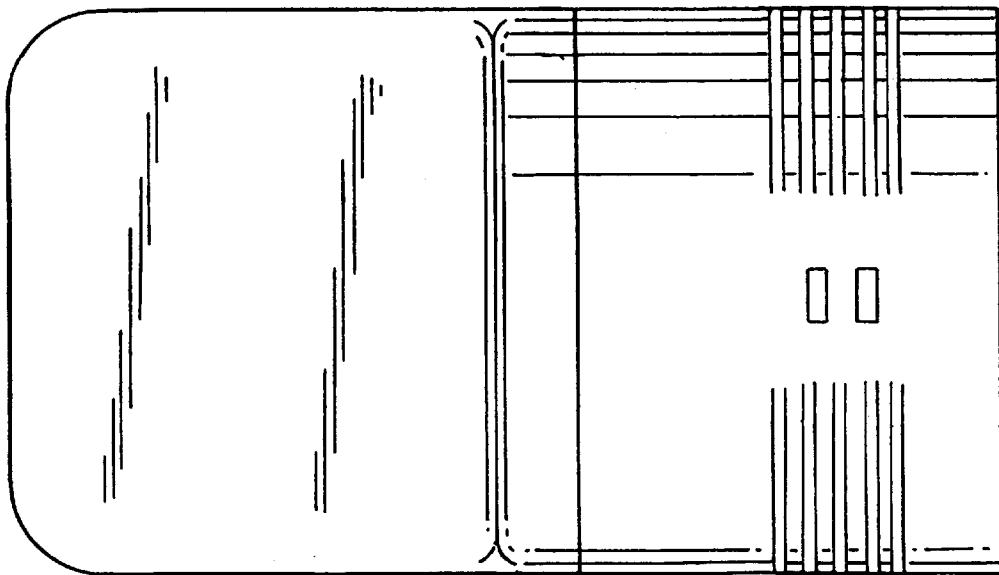


Fig. 3



*Fig. 5*



*Fig. 4*

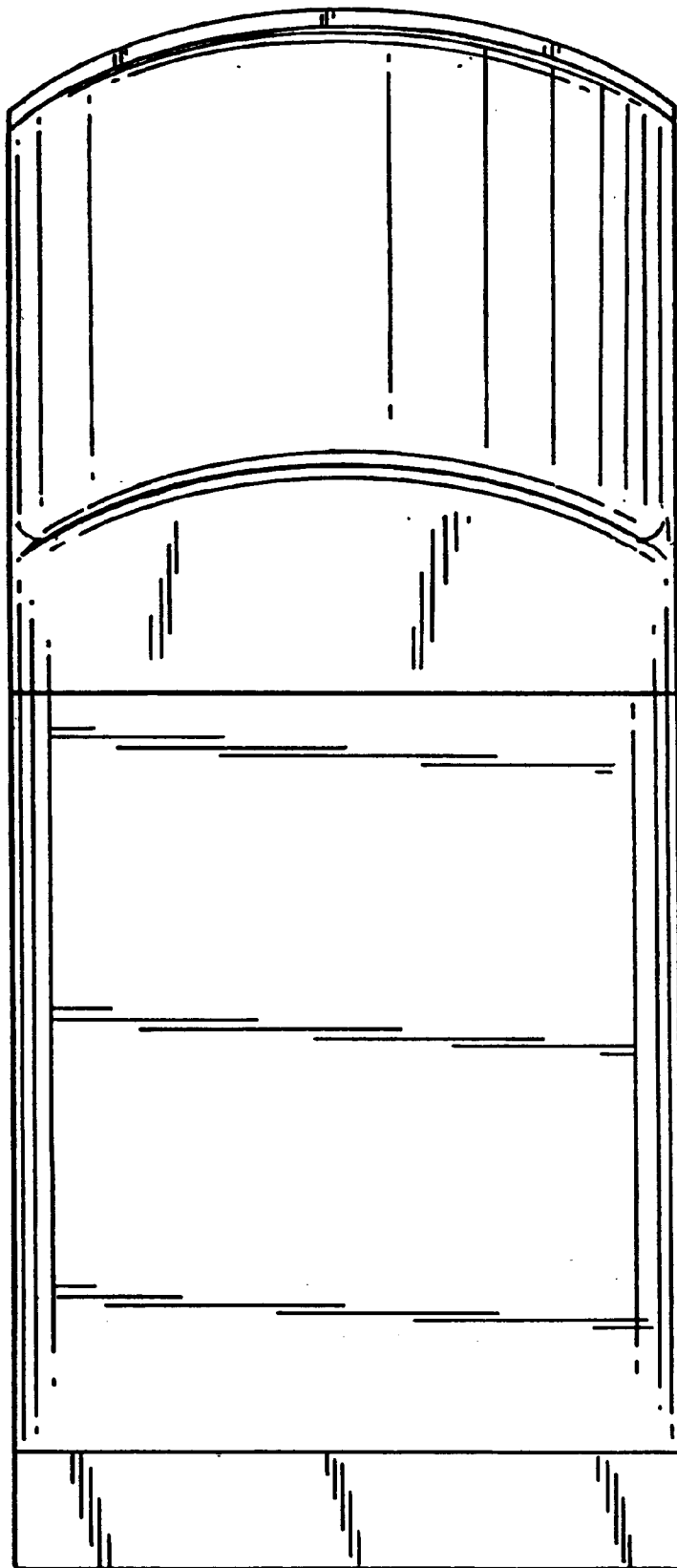
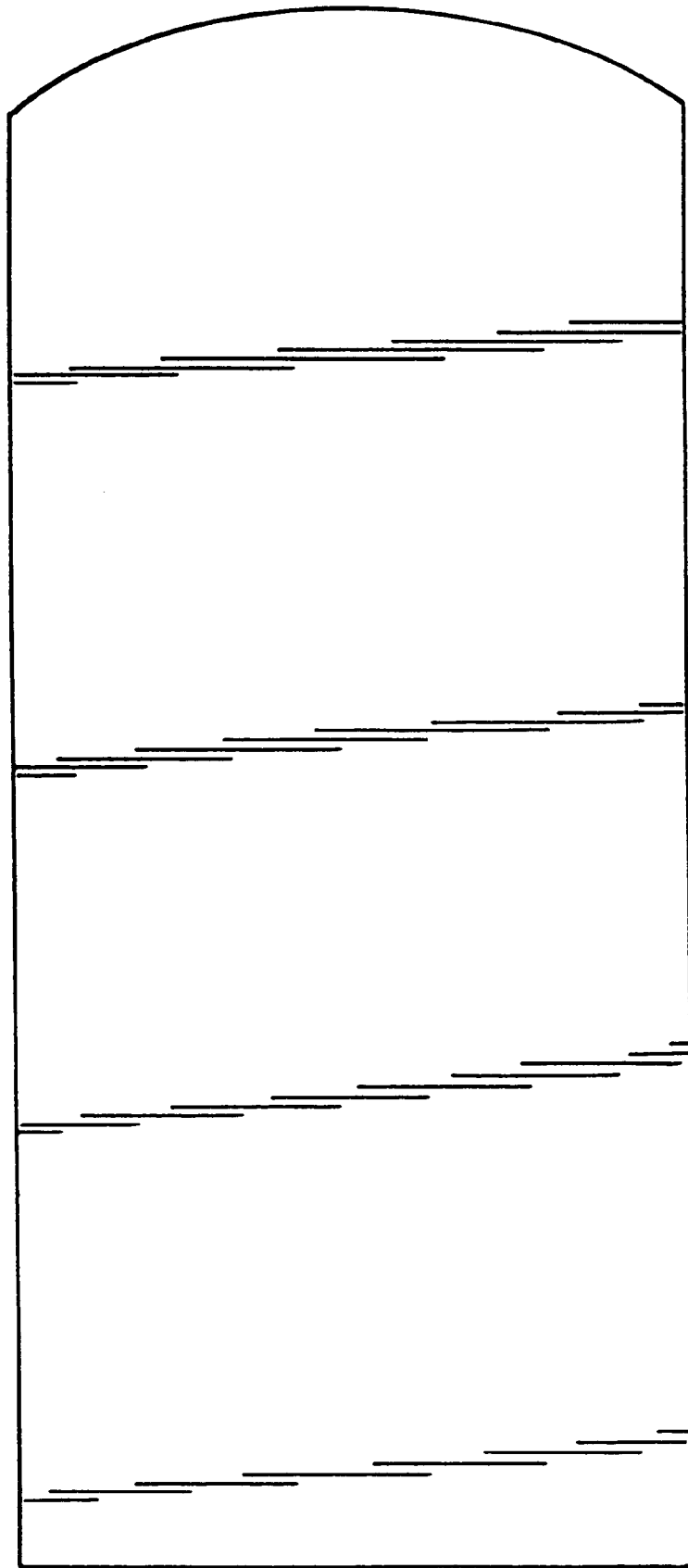


Fig. 6



*Fig. 7*